



NEW POSSIBILITIES

Introducing...

Fast-Track[®]
Channel System

Kwik-Lock[®]
Dialed In Adjustment

Kwik-Lock[®]
MAX



 **40%
RECYCLED
ALUMINIUM**

TESTED TO BS6180

**SUPERIOR CORROSION
RESISTANCE WITH G316's'**

FREE FIXINGS



Innovative Handrail Solutions



Innovative Handrail Solutions

Fastec Handrail Systems



about us

Fastec Handrail Systems specialises in the supply and delivery of off-the-shelf modular handrail systems.

We have designed and manufactured our Fastec modular handrail systems to fulfil all your requirements.

Fastec Handrail Systems forms part of the Barrett Steel Ltd group. We operate from a purpose-designed 3100ft² warehouse and sales facility and hold extensive stocks within the UK, ensuring rapid next-day turnaround to service and meet all your requirements.

Our friendly sales advisors are here to help, offering sales assistance and technical support to ensure you receive the best levels of service and aftercare.

Fastec has established a reputation for outstanding customer service, total reliability, fast delivery and above all, premium quality products.

All our products are available off the shelf, ready for next-day delivery wherever you are in the UK. We will help you stay within your project's budget without compromising on quality, service or the aesthetic appearance of your completed installation.

And for your complete peace of mind, our products have been independently tested for safety.

philosophy

Creativity. Innovation. Technical Mastery

These are Fastec Handrail Systems watchwords. We are a progressive business, working in long-term partnerships with our customers to realise your project's full aesthetic and functional potential.

You can be sure we understand your business and the environment in which you operate. Our customers choose us because they know they can rely on our innovative approach and complete commitment to the success of a project.

We'll work closely with you to ensure your budgets and timescales are met sharing our judgement, expertise and problem solving skills to guarantee the best outcome for your project and your business.

We focus on your requirements because the end result is as important to us as it is to you. That's why we add value every step of the way whilst keeping you on schedule and within budget. We're more than happy to have a no-obligation discussion with you about your current and future plans.



Model: 1010 Page 17



Model: 1020 Page 19



Model: 0150 Page 68



Model: 0155 Page 68



Model: 0157 Page 68



Model: 2010 Page 23



Model: 2020 Page 27



Model: 3010 Page 31



Model: 1050 Page 87



Model: 0160 Page 87



Model: 0150 Page 83



Model: 0125/0150 Page 8



Model: 0250 Page 34



Model: 7200 Page 45



Model: 3900 Page 111



Model: 1105 Page 89



Model: 1150 Page 89



Model: 9510 Page 32



Model: 4000 Page 115



Model: 4100 Page 118



Model: 0645 Page 79



Model: 0735 Page 82



Model: 0745 Page 83



Model: 1205 Page 70



Model: 5010 Page 53



Model: 0525 Page 77



Model: 0135 Page 67



Model: 8010 Page 57



Model: 9400 PAGE 131

GLASS-TEC

12-50



TUBES AND BARS

128-129



SPIGOTS GLASS ALU-RAIL 52-59



ACCESSORIES

130-133

RAILING SYSTEMS

60-127



TECHNICAL

134-157



Introducing...

Kwik-Lock[®]
Dialed In Adjustment
Patent Application No. 1714477.5



The revolutionary glass adjustment system

- > **Dialed in Adjustment**
- > **Mechanical Fixing**
- > **Twin Locking System**
- > **Click in System**
- > **One Sided Installation**



creativity
innovation
technical mastery

DIALLED IN ADJUSTMENT

Only the **Kwik-Lock** system has a dial and gauge for ease of adjustment. This innovative idea helps adjust and align the glass perfectly by transferring the location of the slider at the bottom onto the gauge at the top. After one panel has been installed simply pre-set the gauges on your next panel identically to ensure an exact alignment every time.



MECHANICAL FIXING

Securing the **Kwik-Lock** wedge couldn't be easier, simply tighten the bolt. This action pulls the wedge down into the channel and naturally tightens up when the wedge finds its resting location. Mechanical tightening provides a more secure fixing and prevents wedge movement at a later date by applying a consistent torque onto the wedge. To speed things up use a battery drill and torque setting to hear a satisfying click as the torque is reached.



TWIN LOCKING SYSTEM

The **Kwik-Lock** system uses two separate fixing methods to provide a safe and secure glass fixing and peace of mind that only having a secondary fixing with multiple touch points can offer. The wedge locks the glass into position when the bolt is tightened, a secondary **Pull Out Block** works with the mechanics of tightening the bolts sliding out securing the glass providing a movement free installation.



CLICK IN SYSTEM

There's nothing more satisfying than hearing a 'CLICK' when something snaps into place. With the unique locking system integrated into the **Fast-Track** channel and **Kwik-Lock** wedges the two are made for each other. Push the **Kwik-Lock** wedges into the channel and hear the click knowing its placed correctly.



ONE SIDED INSTALLATION

Every element of the **Fast-Track** channel system has been created with practicality and safety in mind. Not only does it look great but has the added benefit of installation from one side, eliminating the need to hire costly scaffolding or lifting equipment and more importantly, installers can work much more safely. These practical and crucial innovations save both time and money making every project more efficient and cost effective.





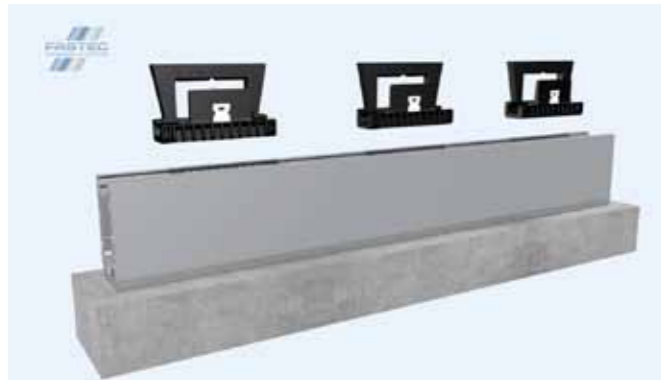
Your complete guide to using the Kwik-Lock system

Kwik-Lock® Easy as one, two, three

Dialed In Adjustment

Patent Application No. 1714477.5

1. Place retainers into track



2. Slide retainers into position



3. Insert rear side rubber seal strip



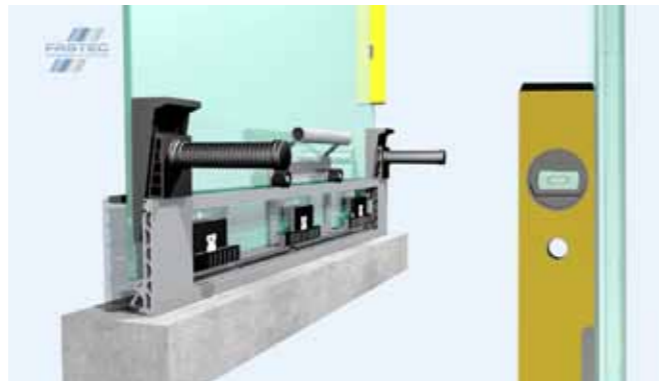
4. Place glass into position



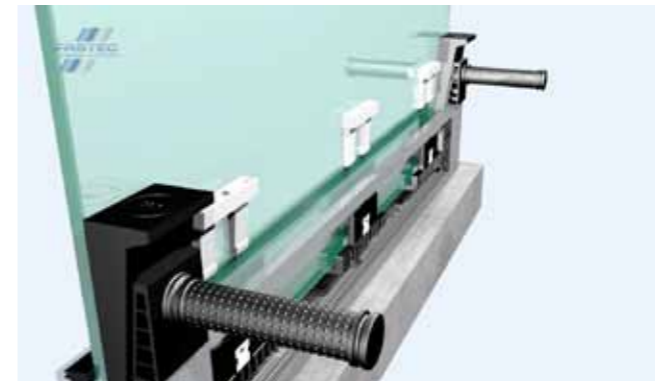
5. Pin glass in place with placement tools



6. Adjust slider using adjustment tool to tilt glass



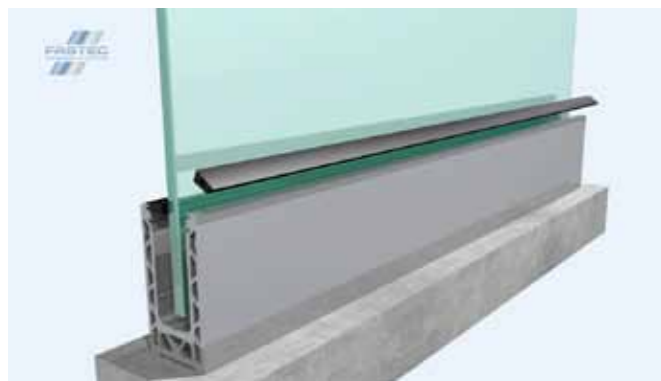
7. Insert wedges



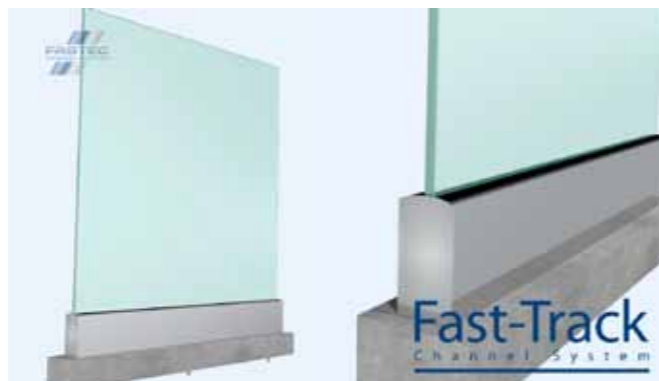
8. Tighten wedge bolt to lock into position



9. Insert front rubber seal strip



10. Installation complete



work quicker,
work smarter,
work **Kwik-Lock**

Fast-Track[®]

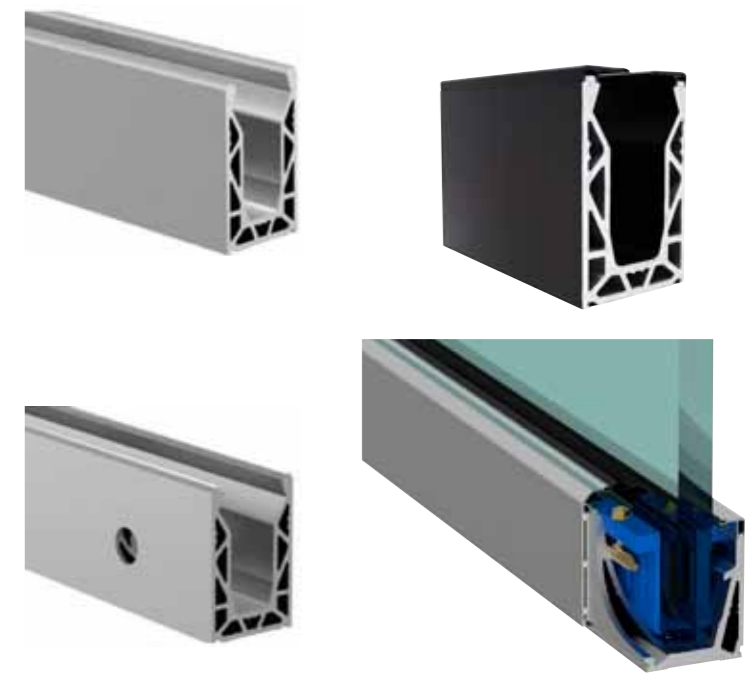
Channel System

Kwik-Lock[®]

Dialed In Adjustment

POSIGLAZE

- 36-37 TOP FIX
- 38 POSIGLAZE BLACK
- 40-42 SIDE FIX
- 43 MEGAGRIP



FAST-TRACK

- 14-15 LOAD TABLES
- 16-17 MODEL 1010
- 18-20 MODEL 1020
- 22-24 MODEL 2010
- 26-28 MODEL 2020
- 30-31 MODEL 3010
- 32 TOOLS
- 33 PINS AND BOLTS



HANDRAIL & FITTINGS

- 45 'U' PROFILE
- 46-47 ROUND PROFILE
- 48 RECTANGULAR PROFILE
- 49-50 ROUND MIRROR

SPIGOTS & GLASS

- 53 GLASS SPIGOTS
- 55 GLASS



ALU-RAIL

- 56-59 ALU-RAIL



safety first solutions for every space

For individual installations of glass balustrades you can choose between base or side fixed profiles. The construction you attach the balustrade to plays an important role in the choice of system, and whether a side mount or a top mount profile is required.

The following pages show you our range of products. All the systems are modular, which means you can assemble your own selection of products to fulfil your project designs easily and conveniently.

Glass balustrades must meet the requirements of British Standards. The Glass-tec profiles have been independently tested to ensure the safety of your installation.

Please refer to the chart, so you can see at a glance which systems can be used in your construction project.



INTERNAL HOUSING 0.36KN **EXTERNAL HOUSING 0.74KN**
OFFICE FUNCTION 0.74KN **PUBLIC AREAS 1.5KN** **STADIUM FUNCTION 3.0KN**

Kwik-Lock
Relatively light constructions can be designed for applications in homes. The glass balustrade must be able to withstand 0.36 kN per linear metre.

Kwik-Lock
Glass balustrades used for external housing and offices require thicker glass. The glass balustrade must be able to withstand 0.74 kN per linear metre.

Kwik-Lock
The extensive use associated with public spaces requires the use of heavier materials to guarantee safety. The glass balustrade must be able to withstand 1.5 kN per linear metre.

Kwik-Lock MAX
Stadium criteria requires the most robust solutions. Glass thickness even for heavy loads. The glass balustrade must be able to withstand 3.0 kN per linear metre.

	Achieved	Glass Thickness		Achieved	Glass Thickness		Achieved	Glass Thickness		Achieved	Glass Thickness	
		mm	mm		mm	mm		mm	mm		mm	mm
Page 16	✓	12	13.52	✓	15	17.52	✓	21.52	✓	25.52		
		600	600		600	600		400		200		
Page 18	✓	12	13.52	✓	15	17.52	✓	21.52	✓	25.52		
		600	600		600	600		200		200		
Page 22	✓	12	13.52	✓	15	17.52	✓	21.52	✓	25.52		
		400	400		400	400		200		200		
Page 26	✓	12	13.52	✓	15	17.52	✓	21.52	✓	25.52		
		400	400		600	600		200		200		
Page 30	✓	12	13.52	✓	15	17.52	✗		✗			
		600	600		600	600						
Page 36	✓			✓	15		✓	19	21.52	✗		
					200			200	200			
Page 40	✓		15	✓	19	21.52	✗		✗			
			200		200	200						
Page 43	✓			✓			✓		✓	25, 25.52, 31.52, 33		
										200		

* Full test data can be provided on request.

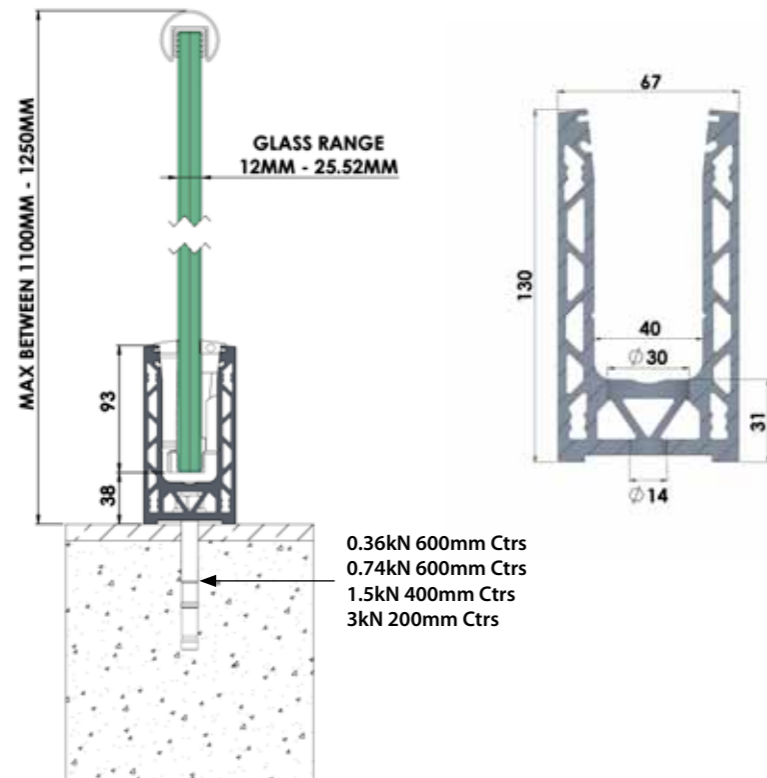
Please refer to Table 2 of BS6180 for full details/clarification on imposed loads.



Fast-Track[®]

MODEL 1010 0.36-3kN TOP MOUNT

- Brushed Anodised finish
- Upto 600mm bolt centres
- Water drainage holes
- Glass thickness range 12-25.52mm
- Joining Pins
- Manufactured with Recycled Aluminium



See page 146 for mounting instructions

FAST-TRACK MODEL 1010 | 0.36-3kN



► Model 1010 Profile		Aluminium	Outdoor
CODE	L		
11.1010.025.A	2500	✓	1
11.1010.050.A	5000	✓	1



► Model 1010 Inside/Outside Corner		Aluminium	Outdoor
CODE			
11.1010.200.A		✓	1



► Model 1010 End Cap		Aluminium	Outdoor
CODE			
11.1010.300.A			1



► Model 1010 End Cap for Stairs		Aluminium	Outdoor
CODE			
11.1010.301.A			1



► Model 7001 Extension Pin		G316	Outdoor
CODE			
36.9201.406.R			8



► Model 0125/0150 1.5kN Kwik-Lock				Outdoor
CODE	USE kN	GLASS	L	
50.0125.012.W	0.36	12	2500	1
50.0125.013.W	0.36	13.52	2500	1
50.0125.015.W	0.74	15	2500	1
50.0125.017.W	0.74	17.52	2500	1
50.0125.021.W	1.5	21.52	2500	1

50.0150.012.W	0.36	12	5000	1
50.0150.013.W	0.36	13.52	5000	1
50.0150.015.W	0.74	15	5000	1
50.0150.017.W	0.74	17.52	5000	1
50.0150.021.W	1.5	21.52	5000	1



► Model 9512 Mounting Anchor		Zintec	Outdoor
CODE			
20.9512.120.Z			20



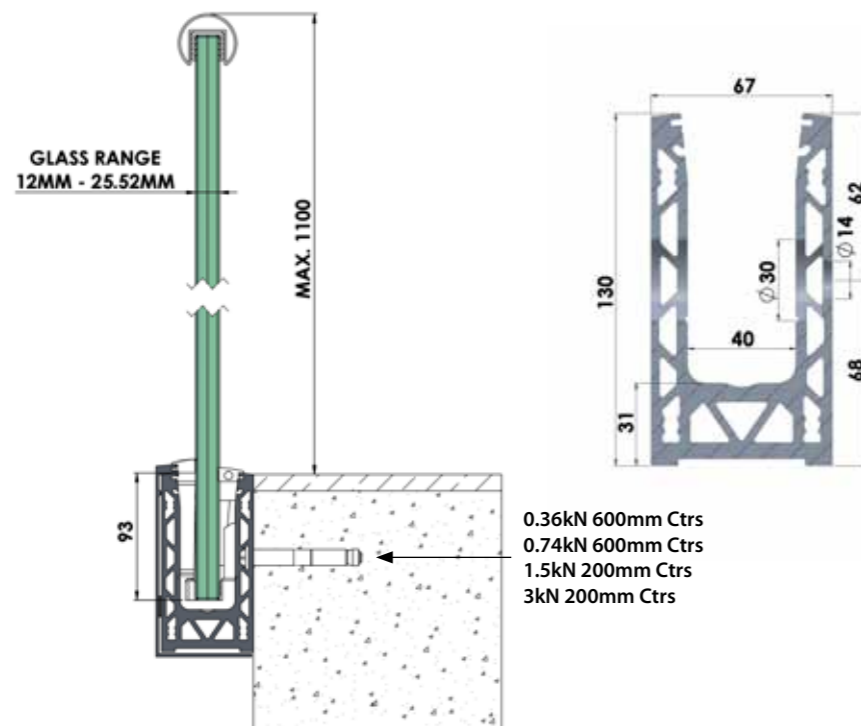
► Model 0250 3kN Kwik-Lock MAX				Outdoor
CODE	USE kN	GLASS	L	
50.0250.025.W	3.0	25.52	5000	1



Fast-Track[®]

MODEL 1020 0.36-3kN SIDE MOUNT

- Brushed Anodised finish
- Upto 600mm bolt centres
- Water drainage holes
- Glass thickness range 12-25.52mm
- Joining Pins
- Manufactured with Recycled Aluminium



0.36kN 600mm Ctrs
0.74kN 600mm Ctrs
1.5kN 200mm Ctrs
3kN 200mm Ctrs

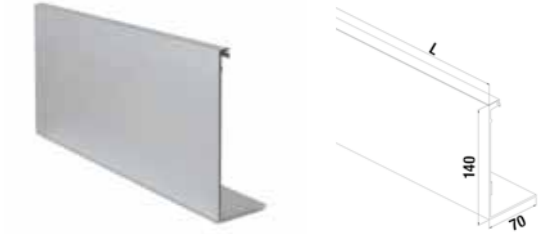
See page 147 for mounting instructions



FAST-TRACK MODEL 1020 | 0.36-3kN



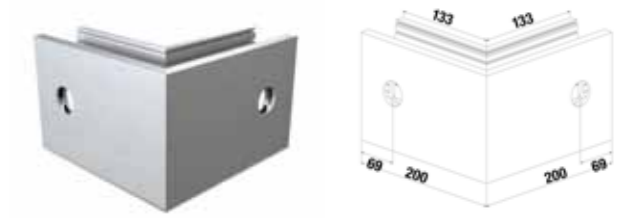
► Model 1020 Glass Profile		Aluminium	Outdoor
CODE	L		
11.1020.025.A	2500	✓	1
11.1020.050.A	5000	✓	1



► Model 1020 Cladding		Aluminium	Outdoor
CODE	L		
11.1020.125.A	2500	✓	1
11.1020.150.A	5000	✓	1



► Model 1020 Inside Corner		Aluminium	Outdoor
CODE			
11.1020.210.A		✓	1



► Model 1020 Outside Corner		Aluminium	Outdoor
CODE			
11.1020.250.A		✓	1



► Model 1020 End Cap		Aluminium	Outdoor
CODE			
11.1020.300.A			1



► Model 1020 End Cap for stairs		Aluminium	Outdoor
CODE			
11.1020.301.A			1



► Model 1020 End Cap for cladding		Aluminium	Outdoor
CODE	HAND		
11.1020.305.A	Left		1
11.1020.315.A	Right		1



► Model 1020 End Cap for Stairs & Cladding		Aluminium	Outdoor
CODE	HAND		
11.1020.306.A	Left		1
11.1020.316.A	Right		1



► Model 7001 Extension Pin	G316	Outdoor
CODE		
36.9201.406.R		8



► Model 9612 Mounting Anchor	Zintec	Outdoor
CODE		
20.9612.090.Z		20



► **Model 0125/0150 1.5kN Kwik-Lock** **Outdoor**

CODE	USE kN	GLASS	L	
50.0125.012.W	0.36	12	2500	1
50.0125.013.W	0.36	13.52	2500	1
50.0125.015.W	0.74	15	2500	1
50.0125.017.W	0.74	17.52	2500	1
50.0125.021.W	1.5	21.52	2500	1
50.0150.012.W	0.36	12	5000	1
50.0150.013.W	0.36	13.52	5000	1
50.0150.015.W	0.74	15	5000	1
50.0150.017.W	0.74	17.52	5000	1
50.0150.021.W	1.5	21.52	5000	1



► **Model 0250 3kN Kwik-Lock MAX** **Outdoor**

CODE	USE kN	GLASS	L	
50.0250.025.W	3.0	25.52	5000	1



Helping your project meet the demands of Sustainable Construction

All Fast-Track system profiles are manufactured from an average of 36-40% recycled aluminium, if a project requires a more specific higher requirement, then this can be reviewed and discussed on a case-by-case basis.

Recycling is a critical part of the modern aluminium business. As one of the most recycled—and recyclable—materials in use today the process involves simply re-melting the metal, which is far less expensive and energy-intensive than creating new aluminium. A recycled aluminium window frame, door or drinks can is often recycled directly back into itself for a more circular and sustainable economy.

Environmental Benefits

- Recycling aluminium uses 95% less energy than producing primary aluminium.
- Saves 97% of greenhouse gas emissions produced in primary production process.
- Recycling 1 tonne of aluminium saves 9 tonnes of CO2 emissions (1 tonne of CO2 is equivalent to driving over 3,500 miles).
- Recycling 1 tonne of aluminium saves 4 tonnes of bauxite – the raw material from which aluminium is made.
- Aluminium is 100 per cent recyclable, so carbon savings increase every time it passes through the recycling loop.
- Aluminium is an infinitely recyclable material.
- Nearly 75% of all aluminium ever produced is still in use today.

Fast-Track[®]
Channel System

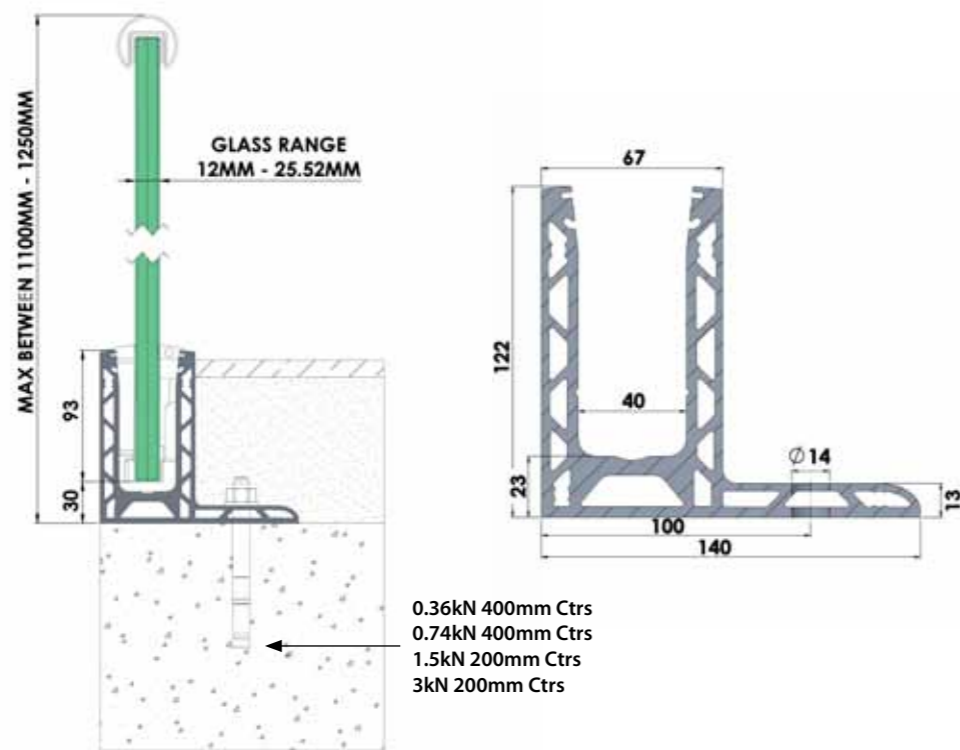




Fast-Track®

MODEL 2010 0.36-3kN TOP MOUNT

- Brushed Anodised finish
- Upto 600mm bolt centres
- Water drainage holes
- Glass thickness range 12-25.52mm
- Joining Pins
- Manufactured with Recycled Aluminium



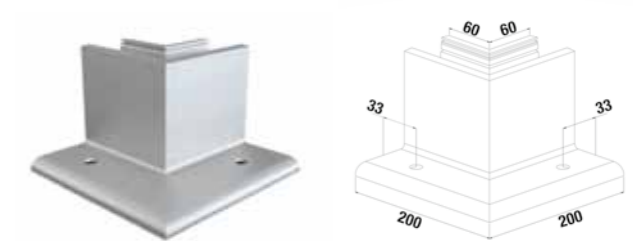
See page 148 for mounting instructions



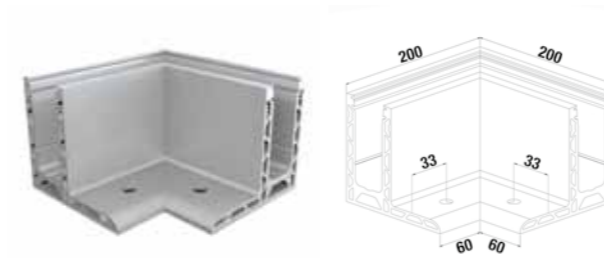
FAST-TRACK MODEL 2010 | 0.36-3kN



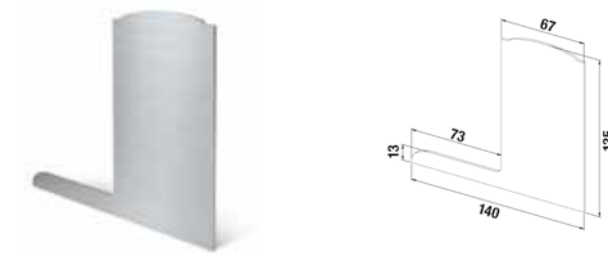
► Model 2010 Profile		Aluminium	Outdoor
CODE	L		
11.2010.025.A	2500	✓	1
11.2010.050.A	5000	✓	1



► Model 2010 Inside Corner		Aluminium	Outdoor
CODE			
11.2010.210.A		✓	1



► Model 2010 Outside Corner		Aluminium	Outdoor
CODE			
11.2010.250.A		✓	1



► Model 2010 End Cap		Aluminium	Outdoor
CODE	HAND		
11.2010.300.A	Left		1
11.2010.310.A	Right		1



► Model 7001 Extension Pin		G316	Outdoor
CODE			
36.9201.406.R			8



► Model 9512 Mounting Anchor		Zintec	Outdoor
CODE			
20.9512.120.Z			20



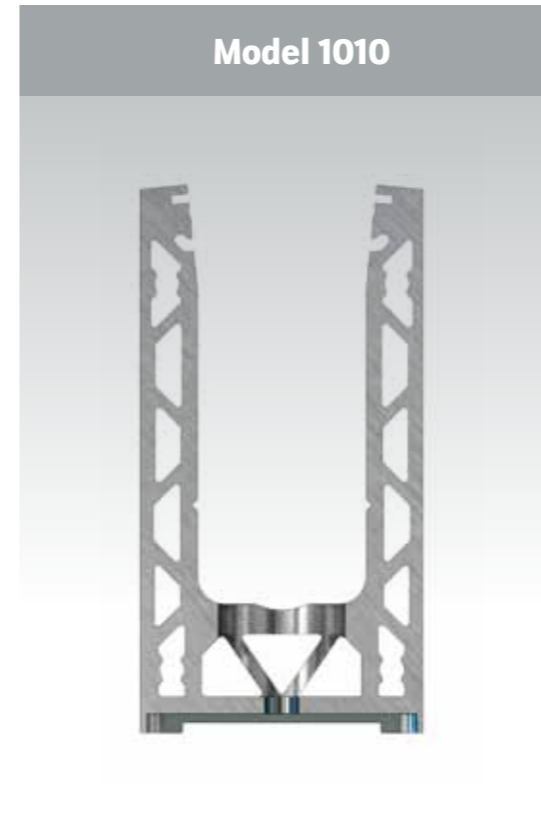
► Model 0125/0150 1.5kN Kwik-Lock					Outdoor
CODE	USE kN	GLASS	L		
50.0125.012.W	0.36	12	2500	1	
50.0125.013.W	0.36	13.52	2500	1	
50.0125.015.W	0.74	15	2500	1	
50.0125.017.W	0.74	17.52	2500	1	
50.0125.021.W	1.5	21.52	2500	1	
50.0150.012.W	0.36	12	5000	1	
50.0150.013.W	0.36	13.52	5000	1	
50.0150.015.W	0.74	15	5000	1	
50.0150.017.W	0.74	17.52	5000	1	
50.0150.021.W	1.5	21.52	5000	1	



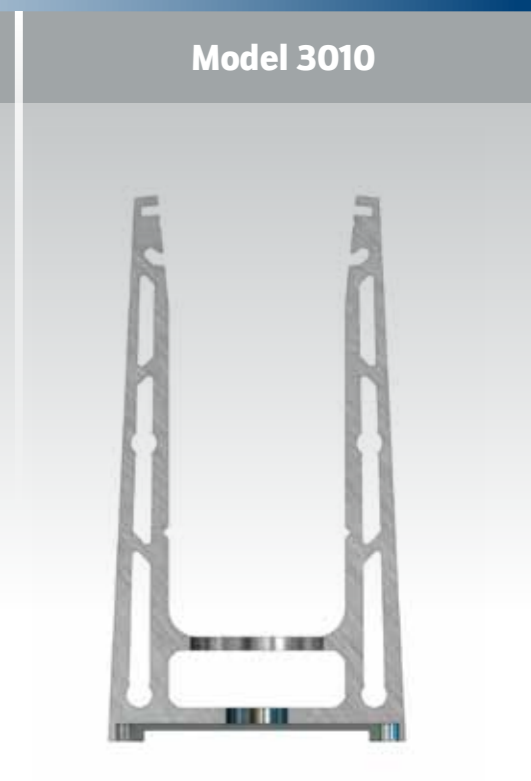
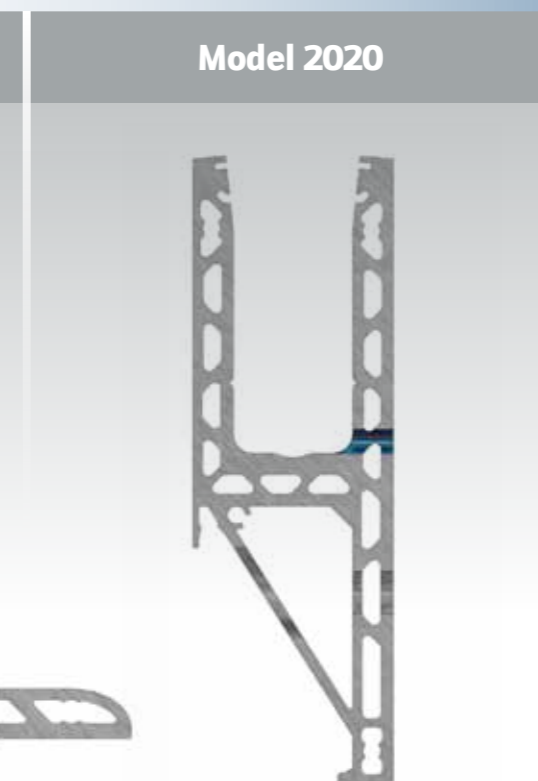
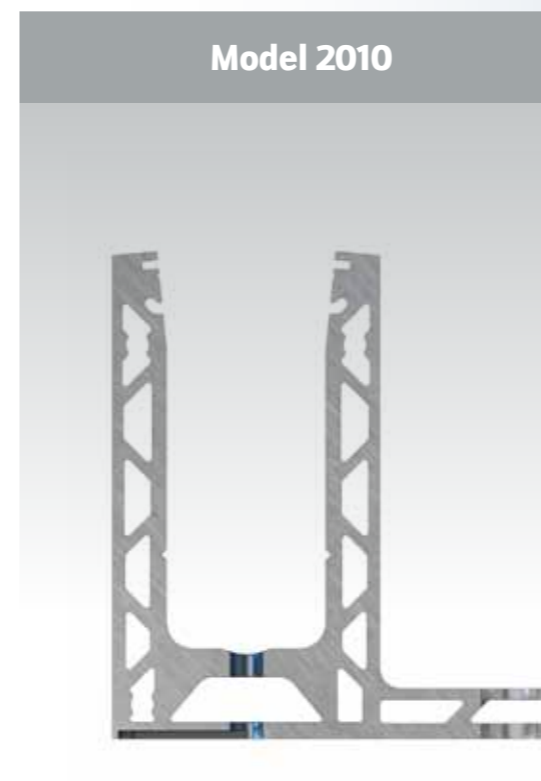
► Model 0250 3kN Kwik-Lock MAX					Outdoor
CODE	USE kN	GLASS	L		
50.0250.025.W	3.0	25.52	5000	1	

DRAINAGE SOLUTIONS

Integral Drainage Solution



Using the **Fast-Track** base systems has never been easier as we have included a drainage solution on each profile design. This solution allows water that can potentially seep inside of the channel to drain away preventing pooling of water. The same integral system on the **Model 1010** top fix channel allows the outer faces to be filed away to prevent build-up of water on the outside caused by the fall on the floor allowing the water to pass through.

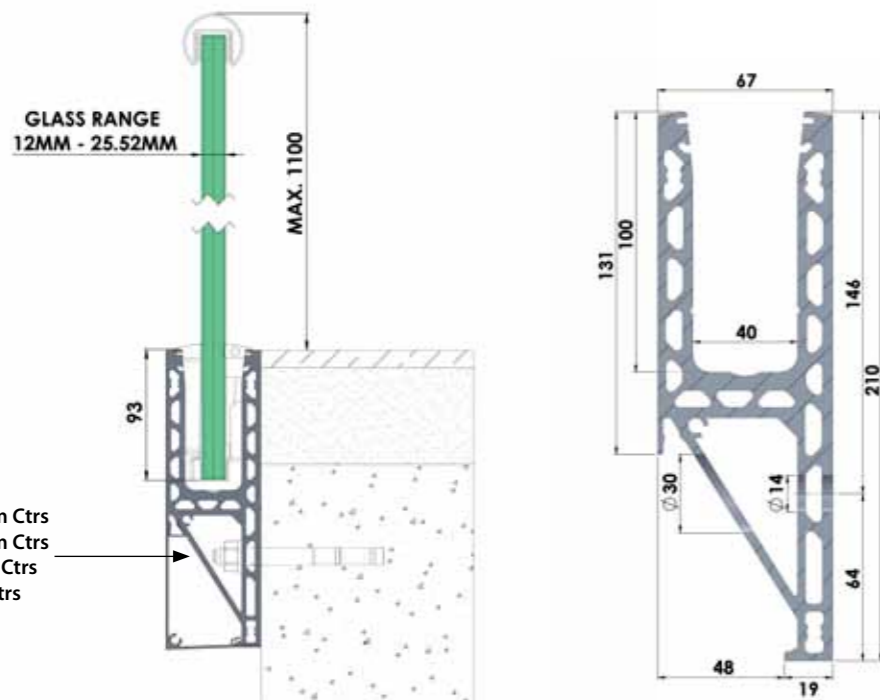




Fast-Track®

MODEL 2020 0.36-3kN SIDE MOUNT

- Brushed Anodised finish
- Upto 600mm bolt centres
- Water drainage holes
- Glass thickness range 12-25.52mm
- Joining Pins
- Manufactured with Recycled Aluminium



0.36kN 400mm Ctrs
0.74kN 600mm Ctrs
1.5kN 200mm Ctrs
3kN 200mm Ctrs

See page 149 for mounting instructions



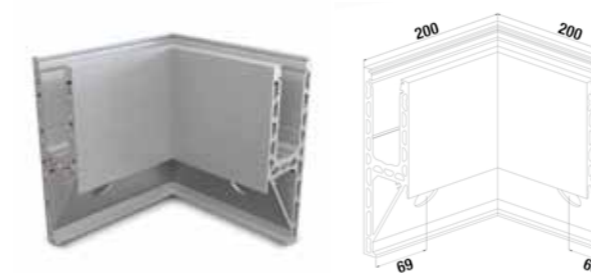
FAST-TRACK MODEL 2020 | 0.36-3KN



► Model 2020 Glass Profile		Aluminium	Outdoor
CODE	L	♻️	🏠
11.2020.025.A	2500	✓	1
11.2020.050.A	5000	✓	1



► Model 2020 Cladding		Aluminium	Outdoor
CODE	L	♻️	🏠
11.2020.125.A	2500	✓	1
11.2020.150.A	5000	✓	1



► Model 2020 Inside Corner		Aluminium	Outdoor
CODE		♻️	🏠
11.2020.210.A		✓	1



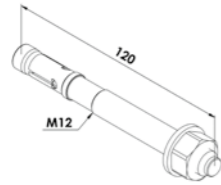
► Model 1020 Outside Corner		Aluminium	Outdoor
CODE		♻️	🏠
11.2020.250.A		✓	1



► Model 2020 End Cap		Aluminium	Outdoor
CODE	HAND		🏠
11.2020.300.A	Left		1
11.2020.310.A	Right		1



► Model 7001 Extension Pin		G316	Outdoor
CODE			🏠
36.9201.406.R			8



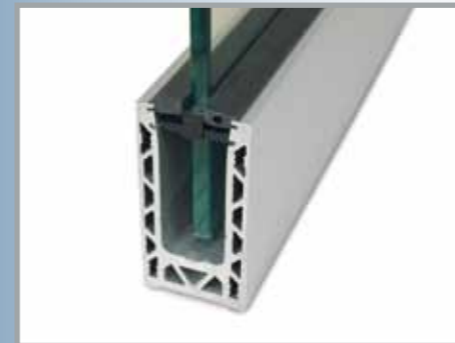
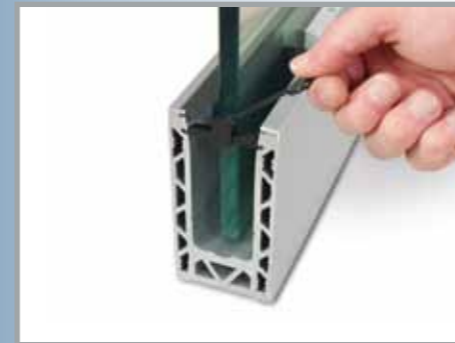
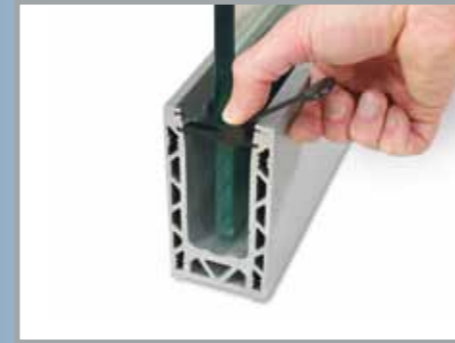
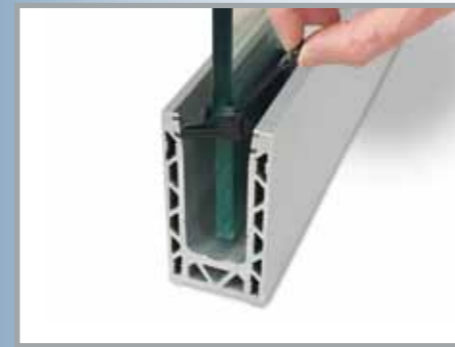
Model 9512 Mounting Anchor	Zintec	Outdoor
CODE		
20.9512.120.Z		20



Model 0125/0150 1.5kN Kwik-Lock				Outdoor
CODE	USE kN	GLASS	L	
50.0125.012.W	0.36	12	2500	1
50.0125.013.W	0.36	13.52	2500	1
50.0125.015.W	0.74	15	2500	1
50.0125.017.W	0.74	17.52	2500	1
50.0125.021.W	1.5	21.52	2500	1
50.0150.012.W	0.36	12	5000	1
50.0150.013.W	0.36	13.52	5000	1
50.0150.015.W	0.74	15	5000	1
50.0150.017.W	0.74	17.52	5000	1
50.0150.021.W	1.5	21.52	5000	1



Model 0250 3kN Kwik-Lock MAX				Outdoor
CODE	USE kN	GLASS	L	
50.0250.025.W	3.0	25.52	5000	1



Link Connectors

Bridging the gap between balustrade and glass



what,
why,
how

the why

With most glazing systems using rubber seals running parallel with the glass creates a gap between adjoining glass panels. This gap is not only unsightly and makes the installation look unfinished but also allows water penetration into the channel.

the what

Fastec have designed and introduced **Link Connectors** within the Kwik-Lock fixing kits. These creative connectors easily and permanently fill the gap between adjoining panels.

the how

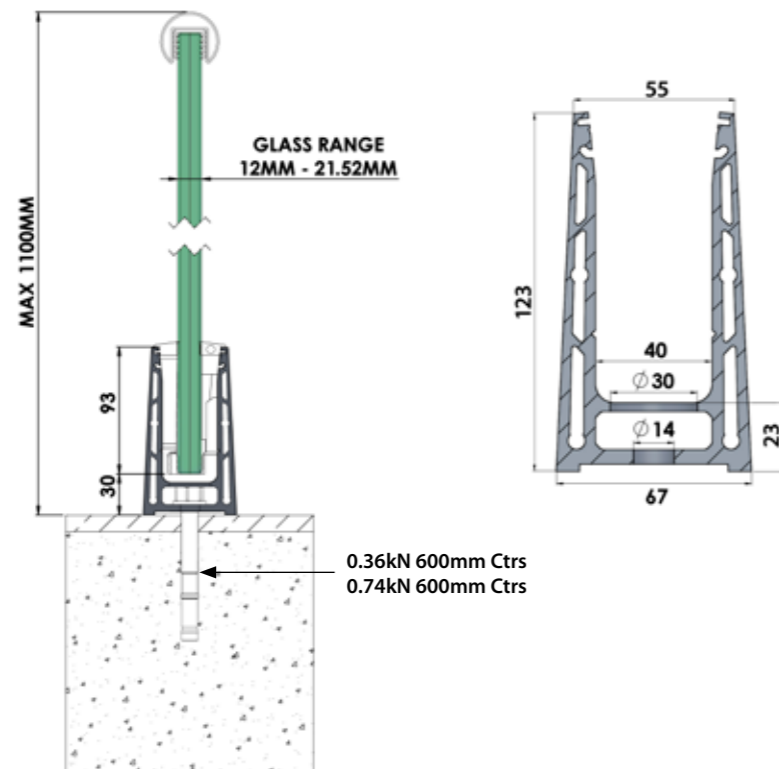
Insert and click the link connector into the recesses within the base channel, slide the block to the middle, cut the required length of gasket to size and stick into position.



Fast-Track[®]

MODEL 3010 0.74kN TOP MOUNT

- Brushed Silver Anodised finish
- Black Anodised finish
- Upto 600mm bolt centres
- Water drainage holes
- Glass thickness range 12-21.52mm
- Joining Pins
- Manufactured with Recycled Aluminium



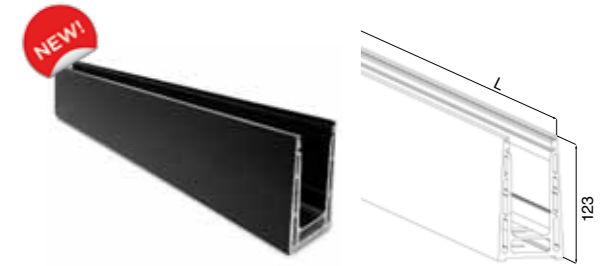
See page 150 for mounting instructions



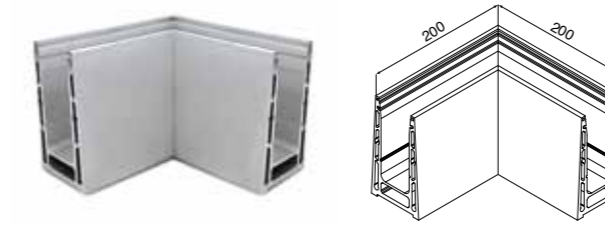
FAST-TRACK MODEL 3010 | 0.74kN



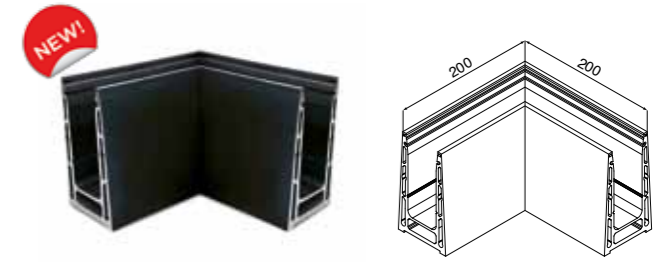
► Model 3010 Profile		Aluminium	Outdoor
CODE	L		
11.3010.025.A	2500	✓	1
11.3010.050.A	5000	✓	1



► Model 3010 Profile		Aluminium	Outdoor
CODE	L		
11.3010.025.BK	2500	✓	1
11.3010.050.BK	5000	✓	1



► Model 3010 Inside/Outside Corner		Aluminium	Outdoor
CODE			
11.3010.200.A		✓	1



► Model 3010 Inside/Outside Corner		Aluminium	Outdoor
CODE			
11.3010.200.BK		✓	1



► Model 3010 End Cap		Aluminium	Outdoor
CODE			
11.3010.300.A			1



► Model 3010 End Cap		Aluminium	Outdoor
CODE			
11.3010.300.BK			1



► Model 0125/0150 1.5kN Kwik-Lock					Outdoor
CODE	USE kN	GLASS	L		
50.0125.012.W	0.36	12	2500	1	
50.0125.013.W	0.36	13.52	2500	1	
50.0125.015.W	0.74	15	2500	1	
50.0125.017.W	0.74	17.52	2500	1	
50.0125.021.W	1.5	21.52	2500	1	
50.0150.012.W	0.36	12	5000	1	
50.0150.013.W	0.36	13.52	5000	1	
50.0150.015.W	0.74	15	5000	1	
50.0150.017.W	0.74	17.52	5000	1	
50.0150.021.W	1.5	21.52	5000	1	



► Model 7001 Extension Pin		G316	Outdoor
CODE			
36.9201.406.R			8



► Model 9512 Mounting Anchor		Zintec	Outdoor
CODE			
20.9512.120.Z			20



► Model 9500 Tool Kit

CODE	
10.9500.000.T	1



► Model 9504 Adjustment Tool

CODE	
10.9504.000.T	1



► Model 9505 Placement Blocks

CODE	
10.9505.000.T	2



► Model 9506 Wedge Removal Tool

CODE	
10.9506.000.T	1



► Model 9507 Flex Extension c/w Hex Bit

CODE	
10.9507.000.T	1



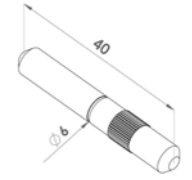
► Model 9510 Silver Silicone

CODE	
10.9510.000.T	1



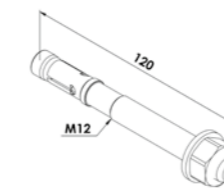
► Model 0150 Replacement Seal Strips

	Rubber	Indoor
CODE	L	G
40.0150.012.R	5000	12
40.0150.013.R	5000	13.52
40.0150.015.R	5000	15
40.0150.017.R	5000	17.52
40.0150.021.R	5000	21.52



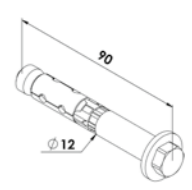
► Model 7001 Extension Pin

	G316	Outdoor
CODE		
36.9201.406.R		8



► Model 9512 Mounting Anchor

	Zintec	Outdoor
CODE		
20.9512.120.Z		20

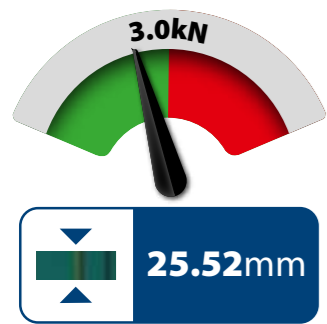


► Model 9612 Mounting Anchor

	Zintec	Outdoor
CODE		
20.9612.090.Z		20

INFO





KWIK-LOCK MAX ACHIEVES 3.0KN WITH 25.52MM GLASS

Having experience in the cost, weight and difficulties of handling 31.52mm glass that many other systems use to achieve 3.0kN loadings we were determined to be a class leader and reduce this to 25.52mm. All **Fast-Track** systems using **Kwik-Lock MAX** achieves 3.0kN with 25.52mm glass offering all the benefits of cost and time savings associated with working with thinner glass whilst providing a more minimalistic appearance.



SIMPLE ADJUSTABILITY

The **Kwik-Lock Max** system includes the ability to tilt and align the glass panels easily by simply moving the placement wedges higher or lower within the top of the channel by hand. This action allows the glass to tilt forwards or backwards. This top adjustment removes the difficulties of adjusting the heavier glass thicknesses at the bottom due to the increased weights and friction incurred making the lower mechanical adjustment restrictive.



SEMI WET FIX SYSTEM

The **Kwik-Lock Max** uses a combination of both lower glass holders and a thin top layer of **Arbokol Balustrade Sealant** to secure the glass into position. This dual system ensures maximum strength and versatility for securing the glass when higher side loadings are required..



DRY FIX AND ALIGN MULTIPLE PANELS

With the unique dual fixing system which is utilised with the **Kwik-Lock Max** to align and support the glass in position until the Balustrade sealant has been laid, means that a full row or multiple panels of glass can be dry fixed and secured in place ensuring full alignment and easy adjustment until the installer is happy to add the sealant to permanently secure the glass in position.



ONE PROFILE, ONE DESIGN, ONE PRICE FOR ALL INSTALLATIONS

Having the confidence to install the same profile in any situation was a major factor in our thinking when designing the **Fast-Track** range. We wanted a single solution that would be elegant enough for the smallest project but robust enough to comply with the largest loading criteria when needed. Our profiles are utilised with either the **Kwik-Lock** or **Kwik-Lock Max** wedge kits to meet all your installation requirements.

Introducing...

Kwik-Lock[®] MAX

For Maximum Strength

- > **3.0kN with 25.52mm Glass**
- > **Simple Adjustability**
- > **Semi Wet Fix System**
- > **Dry Fix and Align**
- > **One Profile, One Design, One Price**

power
strength
performance



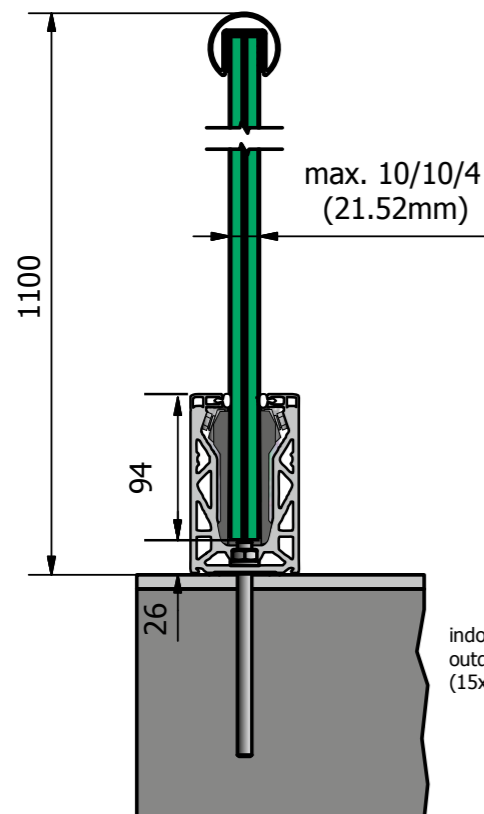


Glass-tec

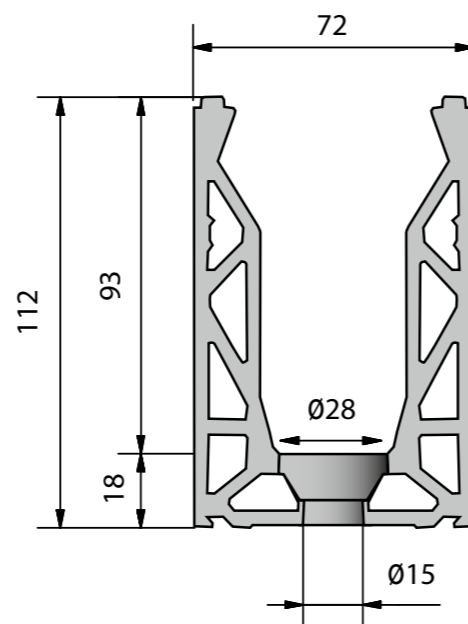
POSI-GLAZE 1.5kN TOP MOUNT

- Slender, attractive design and low maintenance
- Fast and easy glass adjustment
- Extension pin ducts
- Can be clad both sides
- Glass thickness range 12-21.52mm

APPROVED
according to
BS6180 **SANDBERG**

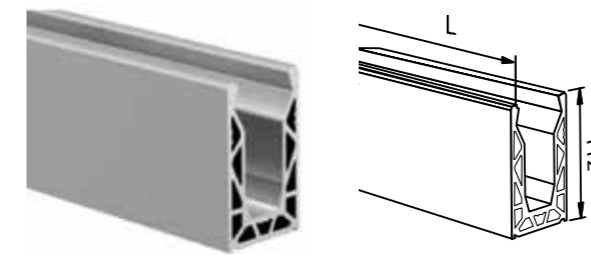


indoor: 91.3511.015.81
outdoor: 91.3511.015.30
(15x/3mtr)

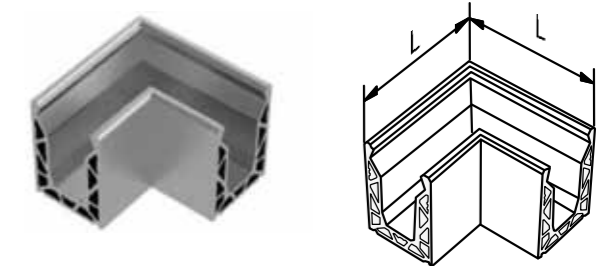


See page 154 for mounting instructions

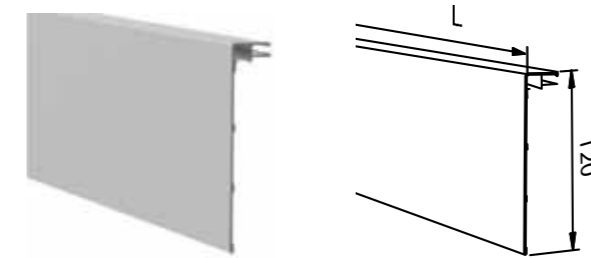
POSI-GLAZE | 1.5KN TOP MOUNT



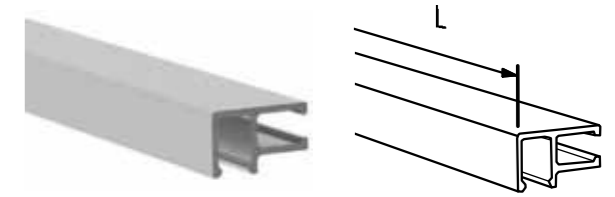
► Model PGC Glass profile		Aluminium	Outdoor
CODE	L		⊞
PGC-010	3000		1



► Model PGA Corner		Aluminium	Outdoor
CODE	L		⊞
PGA-090	136		1

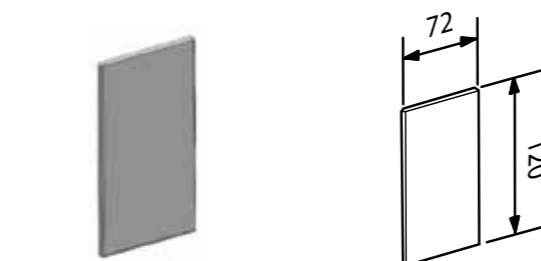


► Model PGA Side Cladding		Aluminium	Outdoor
CODE	L		⊞
PGA-010	3000		1



► Model PGA Top seal strip		Aluminium	Outdoor
CODE	L		⊞
PGA-030	3000		1

(2 No. required as per drawing page 36)



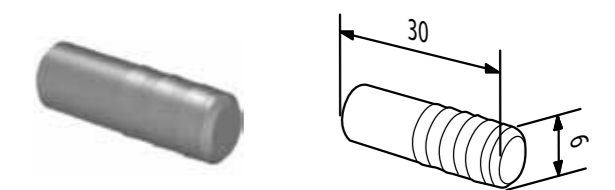
► Model PGA End Cap		Aluminium	Outdoor
CODE			⊞
PGA-060			1



► Model PGA Spanner		Steel	Outdoor
CODE			⊞
PGA-050			1



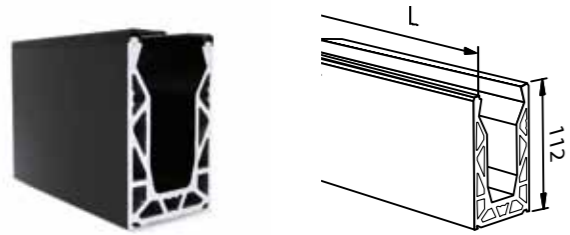
► Model PGB Clamp kit		GLASS	L	Outdoor
CODE				⊞
PGB-0012		12	3000	1
PGB-0013		13.5	3000	1
PGB-0015		15	3000	1
PGB-0017		17.5	3000	1
PGB-0019		19	3000	1
PGB-0021		21.5	3000	1



► Model PGA Extension pin		AISI 316	Outdoor
CODE			⊞
PGA-070			1

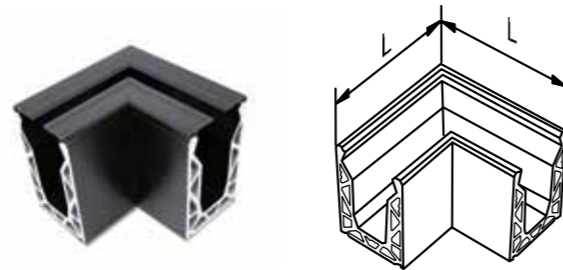


► Model 9612 Mounting Anchor		Zintec	Outdoor
CODE			⊞
20.9612.090.Z			20



► **Model PGC Glass Profile** Aluminium Outdoor

CODE	L	⊞
PGC-010BK	3000	1



► **Model PGA Corner** Aluminium Outdoor

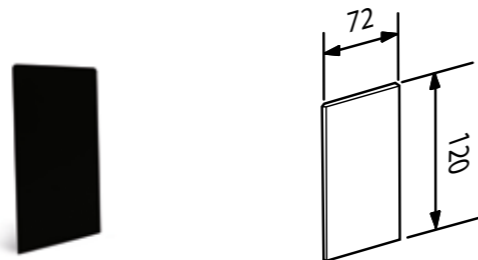
CODE	L	⊞
PGA-090BK	136	1



► **Model PGA Top Seal Strip** Plastic Outdoor

CODE	L	⊞
PGA-030P	3000	1

(2 No. required as per drawing page 46)



► **Model PGA End Cap** Plastic Outdoor

CODE	L	⊞
PGA-060PBK		1



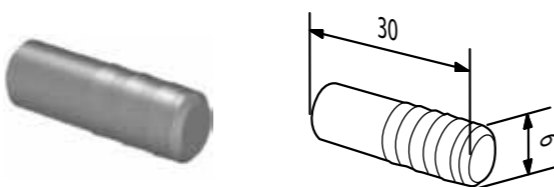
► **Model PVA Touch Up Pen** Steel

CODE	⊞
PVA-TOUCHBK	1



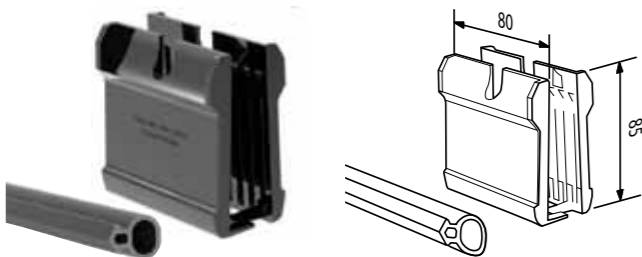
► **Model PGA Spanner** Steel

CODE	⊞
PGA-050	1



► **Model PGA Extension pin** AISI 316 Outdoor

CODE	⊞
PGA-070	1



► **Model PGB Clamp Kit**

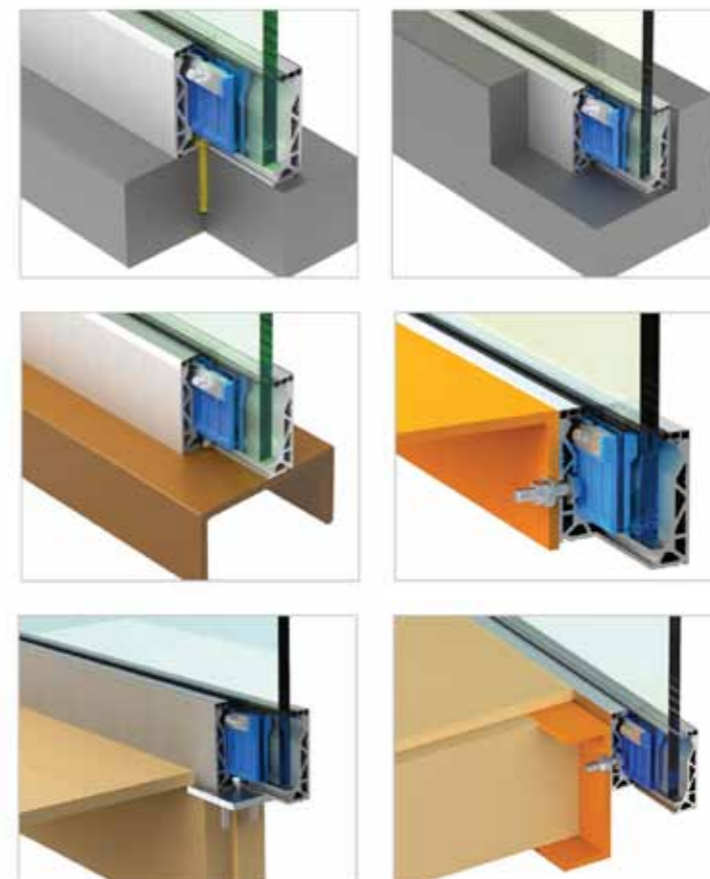
CODE	GLASS	L	⊞
PGB-0012	12	3000	1
PGB-0013	13.5	3000	1
PGB-0015	15	3000	1
PGB-0017	17.5	3000	1
PGB-0019	19	3000	1
PGB-0021	21.5	3000	1



► **Model 9612 Mounting Anchor** Zintec Outdoor

CODE	⊞
20.9612.090.Z	20

The first fully adjustable balustrade system



FAST AND EASY TO INSTALL AND ADJUST

One of the most simple balustrade systems to fit and adjust thanks to its patented screw-clamp technology. Dry glazed where no specialist tools are required. Glass can easily be removed and replaced if required.

ACCREDITED TO 1.50kN TO BS 6180:2011

POSIglaze is accredited and approved by multiple organisations to verify that it meets national and international building regulations for use as edge protection, where up to 1.50kN force loading is required.

LIGHTWEIGHT AND STRONG

Precision engineered using extruded aluminum with a geometrically hollowed out core; providing an incredible strength to weight ratio. For added protection POSIglaze is anodised to 25 microns.

APPROPRIATE FOR DOMESTIC AND COMMERCIAL

With 0.36kN to 1.50kN force loading capability, POSIglaze is a domestic to light commercial crossover product, making it an appropriate choice for a wide range of installations.

CAN BE USED WITH A WIDE RANGE OF GLASS TYPES

POSIglaze is a highly versatile product which can be used with glass thicknesses ranging from 12mm - 21.5mm, using either toughened glass, toughened laminate glass or SentryGlas.

SUITABLE FOR USE ON UNEVEN SURFACES

POSIglaze is a highly versatile product which can be used with glass thicknesses ranging from 12mm - 21.5mm, using either toughened glass, toughened laminate glass or SentryGlas.

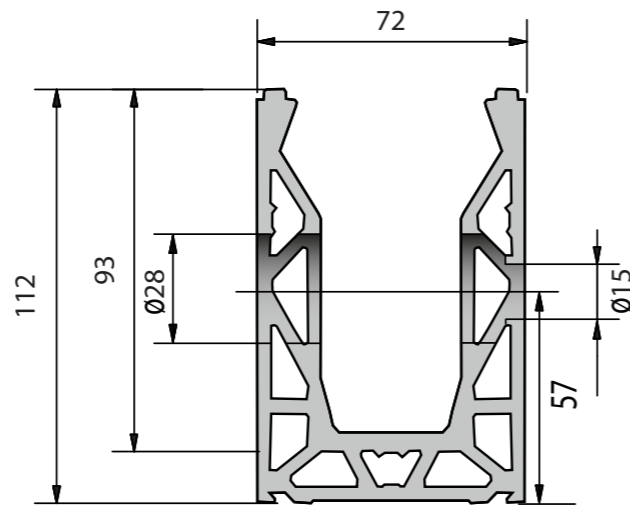
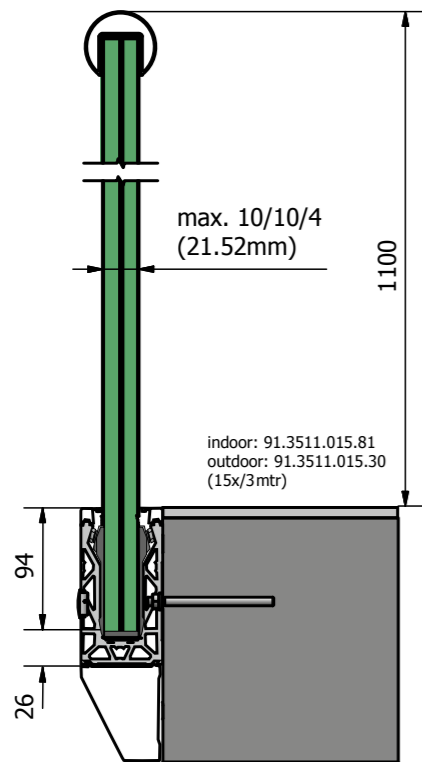


Glass-tec

POSI-GLAZE 0.74kN SIDE MOUNT

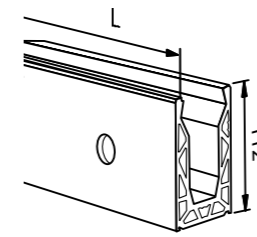
- Slender, attractive design and low maintenance
- Fast and easy glass adjustment
- Extension pin ducts
- Side and bottom cladding available
- Glass thickness range 12-21.52mm

APPROVED
according to
BS6180 **SANDBERG**

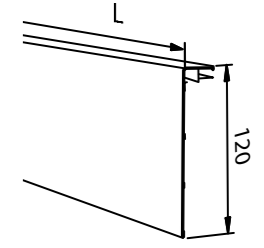


See page 154 for mounting instructions

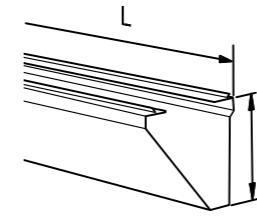
POSI-GLAZE | 0.74kN SIDE MOUNT



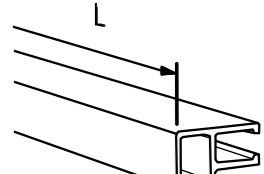
► Model PGC Glass Profile		
Aluminium	Outdoor	
CODE	L	⊞
PGC-020	3000	1



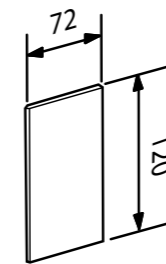
► Model PGA Side Cladding		
Aluminium	Outdoor	
CODE	L	⊞
PGA-010	3000	1



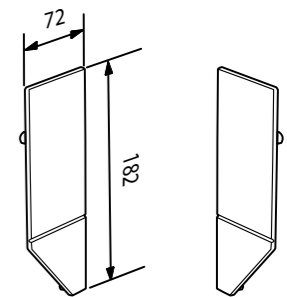
► Model PGA Bottom Cladding		
Aluminium	Outdoor	
CODE	L	⊞
PGA-020	3000	1



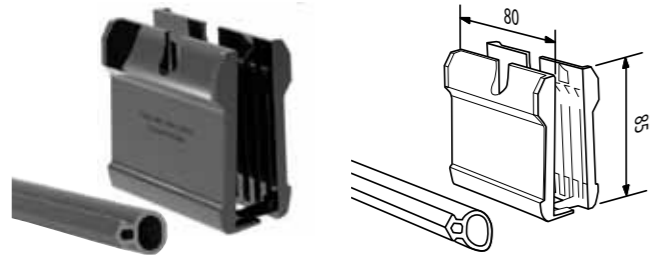
► Model PGA Top Seal Strip		
Aluminium	Outdoor	
CODE	L	⊞
PGA-030	3000	1



► Model PGA End Cap		
Aluminium	Outdoor	
CODE		⊞
PGA-061	One Side Cladding	1
PGA-062	Two Side Cladding	1



► Model PGA End Cap		
Aluminium	Outdoor	
CODE		⊞
PGA-065R		1
PGA-065L		1



► Model PGB Clamp Kit

CODE	GLASS	L	☒
PGB-0012	12	3000	1
PGB-0013	13.5	3000	1
PGB-0015	15	3000	1
PGB-0017	17.5	3000	1
PGB-0019	19	3000	1
PGB-0021	21.5	3000	1



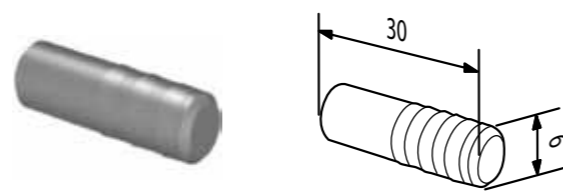
► Model PGA Spanner

CODE	Steel	☒
PGA-050		1



► Model 9612 Mounting Anchor

CODE	Zintec	Outdoor
20.9612.090.Z		20



► Model PGA Extension Pin

CODE	AISI 316	Outdoor
PGA-070		1



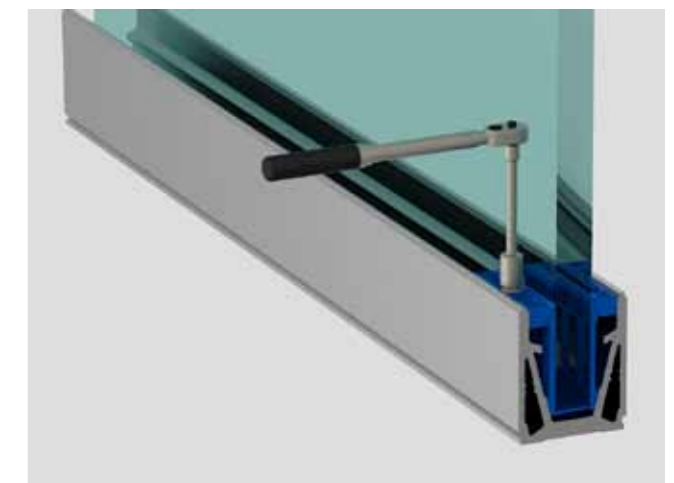
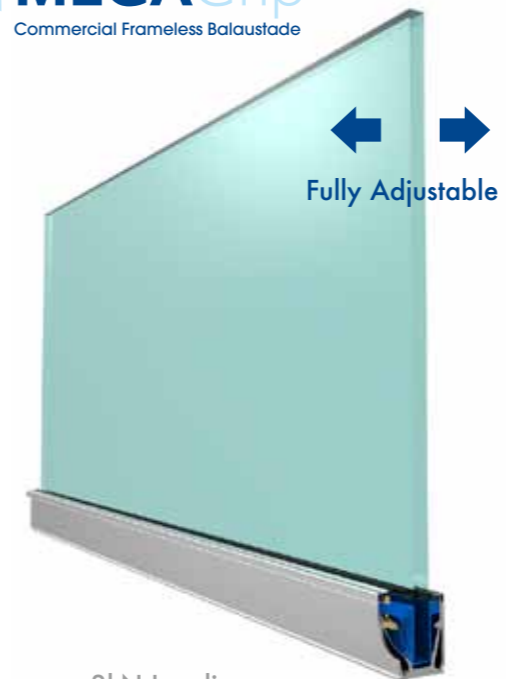
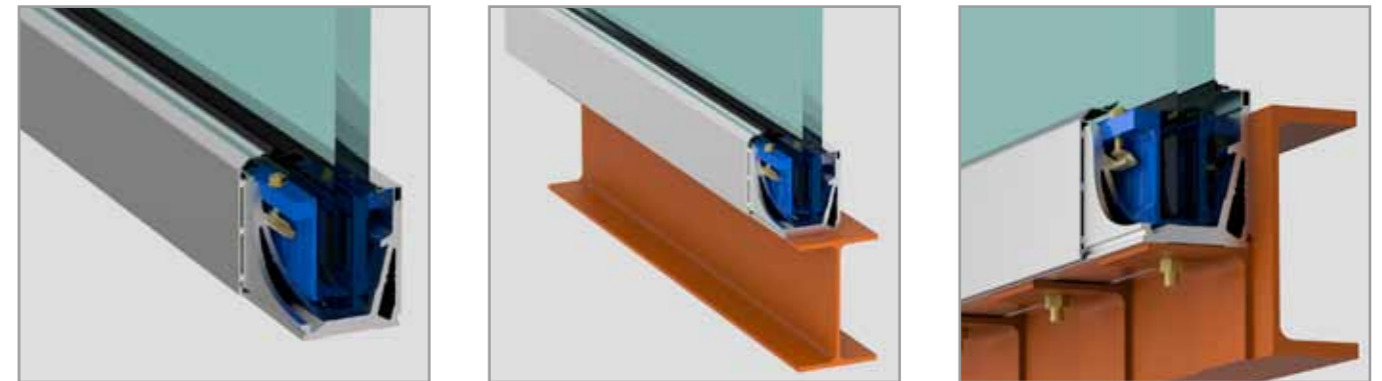
► Model PGB Top Seal Rubbers

CODE	GLASS	L	☒
PGB-0012	12	3000	1
PGB-0013	13.5	3000	1
PGB-0015	15	3000	1
PGB-0017	17.5	3000	1
PGB-0019	19	3000	1
PGB-0021	21.5	3000	1



Need a 3kN system?
Then **MEGA**Grip is for you!

Using 25mm glass **MEGA**Grip meets 3kN loadings in a number of scenarios.



Each panel of glass can be fully adjusted after installation of the channel.

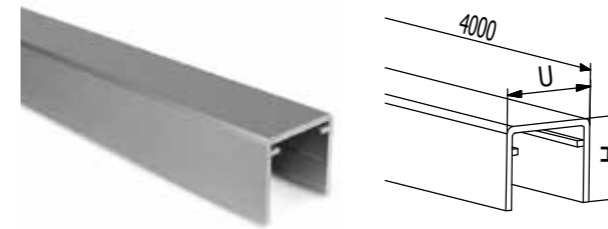
- 3kN Loading
- Simple to install
- No specialised tools
- Durable anodised finish



GLASS HANDRAILS

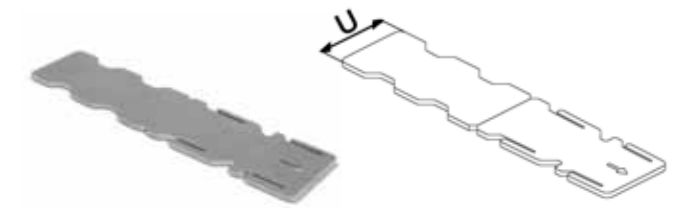


HANDRAIL/FITTINGS



► **Model 7200 U-Handrail**

CODE	Aluminium		Outdoor	
	U	H	L	☒
11.7200.027.A	27	23	4000	1
11.7200.031.A	31	29	4000	1



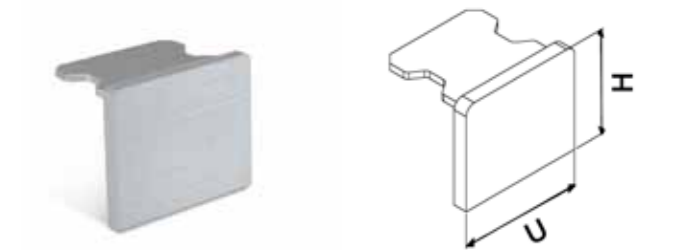
► **Model 7220 U-Connector**

CODE	G304		Outdoor	
	U	H	L	☒
11.7220.027.R	27			1
11.7220.031.R	31			1



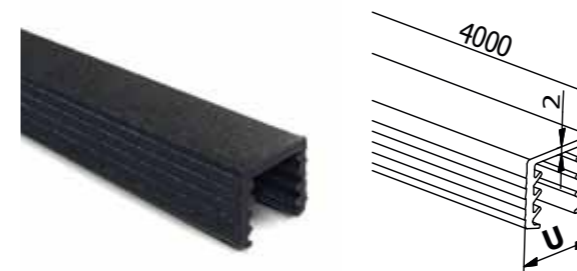
► **Model 7225 U-Corner Connector**

CODE	G304		Outdoor	
	U	H	L	☒
11.7225.027.R	27			1
11.7225.031.R	31			1



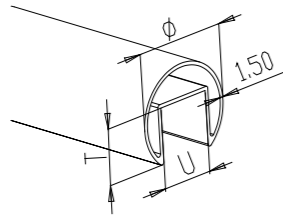
► **Model 7270 U-End Cap**

CODE	Aluminium		Outdoor	
	U	H	L	☒
11.7270.027.A	27	23		1
11.7270.031.A	31	29		1



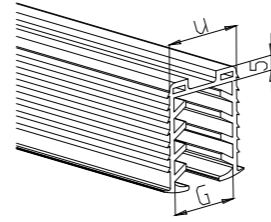
► **Model 7027 U-Handrail Rubber**

CODE	Rubber			Outdoor	
	L	U	G	H	☒
40.7027.010.R	4000	27	10-13.52		1
40.7027.015.R	4000	27	15-17.52		1
40.7031.015.R	4000	31	15-17.52		1
40.7031.019.R	4000	31	19-21.52		1



► Model 7000/7100 Handrail					
304 Indoor					
CODE	L	Ø	T	U	☐
34.7000.420.S	5000	42.4	24	24	1
34.7000.480.S	5000	48.3	30	27	1
34.7000.600.S	5000	60.3	34	34	1
34.7100.420.S	2500	42.4	24	24	1
34.7100.420.S	2500	48.3	30	27	1
34.7100.600.S	2500	60.3	34	34	1

► Model 7000/7100 Handrail					
316 Outdoor					
CODE	L	Ø	T	U	☐
36.7000.420.S	5000	42.4	24	24	1
36.7000.480.S	5000	48.3	30	27	1
36.7100.420.S	2500	42.4	24	24	1
36.7100.600.S	2500	48.3	30	27	1



► Model 7042-42.4mm Rubber Set					
Rubber Outdoor					
CODE	L	U	G	☐	
40.7042.010.R	5000	24	8-10	1	
40.7042.012.R	5000	24	11.52-13.52	1	
40.7042.015.R	5000	24	15-16.76	1	
40.7042.019.R	5000	24	17.52-19	1	
40.7042.020.R	5000	24	21.52	1	

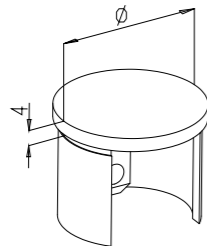
40.7142.010.R	2500	24	8-10	1	
40.7142.012.R	2500	24	11.52-13.52	1	
40.7142.015.R	2500	24	15-16.76	1	
40.7142.019.R	2500	24	17.52-19	1	
40.7142.019.R	2500	24	21.52	1	

► Model 7048-48.3mm Rubber Set					
Rubber Outdoor					
CODE	L	U	G	☐	
40.7048.012.R	5000	27	11.52-13.52	1	
40.7048.015.R	5000	27	15-16.76	1	
40.7048.019.R	5000	27	17.52-19	1	
40.7048.020.R	5000	27	21.52	1	

40.7148.012.R	2500	27	11.52-13.52	1	
40.7148.015.R	2500	27	15-16.76	1	
40.7148.019.R	2500	27	17.52-19	1	
40.7148.020.R	2500	27	21.52	1	

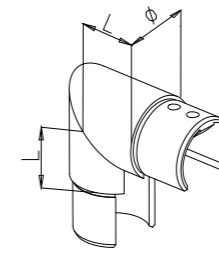
► Model 7060-60.3mm Rubber Set					
Rubber Outdoor					
CODE	L	U	G	☐	
40.7060.015.R	5000	34	15-18	1	
40.7060.019.R	5000	34	18.5-21.5	1	
40.7060.025.R	5000	34	22-25	1	

40.7160.015.R	2500	34	15-18	1	
40.7160.019.R	2500	34	18.5-21.5	1	
40.7160.025.R	2500	34	22-25	1	



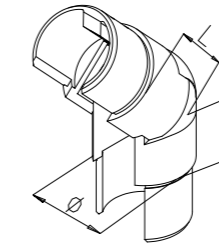
► Model 7070 End cap			
304 Indoor			
CODE	Ø	☐	
34.7070.420.S	42.4	1	
34.7070.480.S	48.3	1	
34.7070.600.S	60.3	1	

► Model 7070 End cap			
316's Outdoor			
CODE	Ø	☐	
36.7070.420.S	42.4	1	
36.7070.480.S	48.3	1	



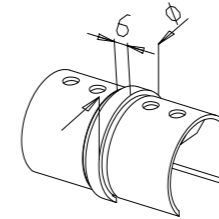
► Model 7010 Elbow			
304 Indoor			
CODE	L	Ø	☐
34.7010.420.S	30	42.4	1
34.7010.480.S	35	48.3	1
34.7010.600.S	40	60.3	1

► Model 7010 Elbow			
316's Outdoor			
CODE	L	Ø	☐
36.7010.420.S	30	42.4	1
36.7010.480.S	35	48.3	1



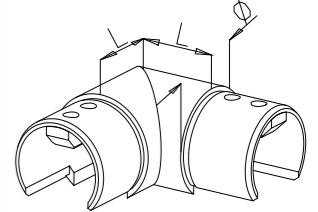
► Model 7030 Adjustable elbow			
304 Indoor			
CODE	L	Ø	☐
34.7030.420.S	30	42.4	1
34.7030.480.S	35	48.3	1

► Model 7030 Adjustable elbow			
316's Outdoor			
CODE	L	Ø	☐
36.7030.420.S	30	42.4	1
36.7030.480.S	35	48.3	1



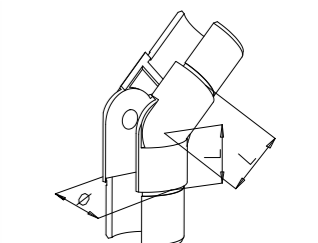
► Model 7050 Joint connector			
304 Indoor			
CODE	Ø	☐	
34.7050.420.S	42.4	1	
34.7050.480.S	48.3	1	
34.7050.600.S	60.3	1	

► Model 7050 Joint connector			
316's Outdoor			
CODE	Ø	☐	
36.7050.420.S	42.4	1	
36.7050.480.S	48.3	1	



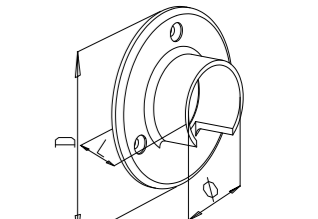
► Model 7020 Elbow			
304 Indoor			
CODE	L	Ø	☐
34.7020.420.S	30	42.4	1
34.7020.480.S	35	48.3	1
34.7020.600.S	40	60.3	1

► Model 7020 Elbow			
316's Outdoor			
CODE	L	Ø	☐
36.7020.420.S	30	42.4	1
36.7020.480.S	35	48.3	1



► Model 7040 Adjustable elbow			
304 Indoor			
CODE	L	Ø	☐
34.7040.420.S	30	42.4	1
34.7040.480.S	35	48.3	1

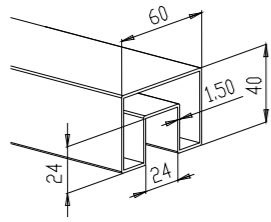
► Model 7040 Adjustable elbow			
316's Outdoor			
CODE	L	Ø	☐
36.7040.420.S	30	42.4	1
36.7040.480.S	35	48.3	1



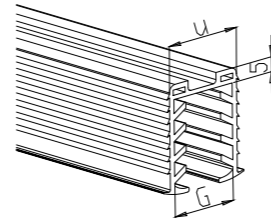
► Model 7060 Wall flange				
304 Indoor				
CODE	D	L	Ø	☐
34.7060.420.S	90	30	42.4	1
34.7060.480.S	95	35	48.3	1

► Model 7060 Wall flange				
316's Outdoor				
CODE	D	L	Ø	☐
36.7060.420.S	90	30	42.4	1
36.7060.480.S	95	35	48.3	1

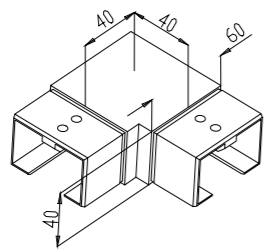
HANDRAIL/FITTINGS



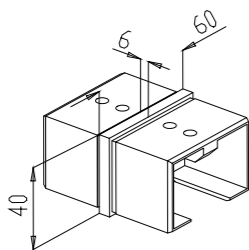
► Model 7000/7100 Handrail			304	Indoor
CODE	L			
34.7000.604.S	5000			1
34.7100.604.S	2500			1



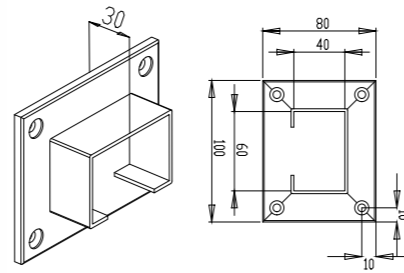
► Model 7042-42.4mm Rubber Set						Rubber	Outdoor
CODE	L	U	G				
40.7042.010.R	5000	24	8-10				1
40.7042.012.R	5000	24	11.52-13.52				1
40.7042.015.R	5000	24	15-16.76				1
40.7042.019.R	5000	24	17.52-19				1
40.7042.020.R	5000	24	21.52				1
40.7142.010.R	2500	24	8-10				1
40.7142.012.R	2500	24	11.52-13.52				1
40.7142.015.R	2500	24	15-16.76				1
40.7142.019.R	2500	24	17.52-19				1
40.7142.019.R	2500	24	21.52				1



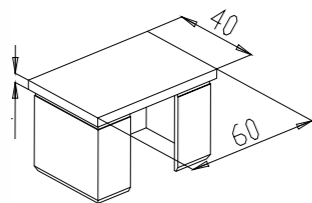
► Model 7020 Elbow			304	Indoor
CODE				
34.7020.604.S				1



► Model 7050 Joint connector			304	Indoor
CODE				
34.7050.604.S				1

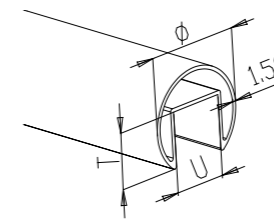


► Model 7060 Wall flange			304	Indoor
CODE				
34.7060.604.S				1



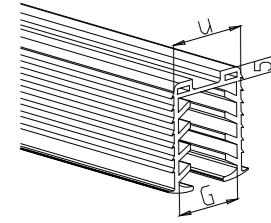
► Model 7070 End cap			304	Indoor
CODE				
34.7070.604.S				1

HANDRAIL/FITTINGS MIRROR POLISHED

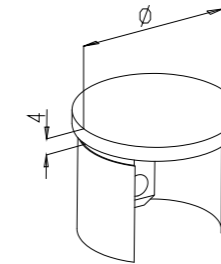


► Model 7000 Handrail						304	Indoor
CODE	L	Ø	T	U			
34.7000.420.M	5000	42.4	24	24			1
34.7000.480.M	5000	48.3	30	27			1

► Model 7000 Handrail						316	Outdoor
CODE	L	Ø	T	U			
36.7000.420.M	5000	42.4	24	24			1
36.7000.480.M	5000	48.3	30	27			1



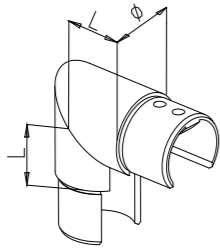
► Model 7042-42.4mm Rubber Set						Rubber	Outdoor
CODE	L	U	G				
40.7042.010.R	5000	24	8-10				1
40.7042.012.R	5000	24	11.52-13.52				1
40.7042.015.R	5000	24	15-16.76				1
40.7042.019.R	5000	24	17.52-19				1
40.7042.020.R	5000	24	21.52				1
40.7142.010.R	2500	24	8-10				1
40.7142.012.R	2500	24	11.52-13.52				1
40.7142.015.R	2500	24	15-16.76				1
40.7142.019.R	2500	24	17.52-19				1
40.7142.019.R	2500	24	21.52				1



► Model 7070 End cap			304	Indoor
CODE	Ø			
34.7070.420.M	42.4			1
34.7070.480.M	48.3			1

► Model 7070 End cap			316's	Outdoor
CODE	Ø			
36.7070.420.M	42.4			1
36.7070.480.M	48.3			1

► Model 7048-48.3mm Rubber Set						Rubber	Outdoor
CODE	L	U	G				
40.7048.012.R	5000	27	11.52-13.52				1
40.7048.015.R	5000	27	15-16.76				1
40.7048.019.R	5000	27	17.52-19				1
40.7048.020.R	5000	27	21.52				1
40.7148.012.R	2500	27	11.52-13.52				1
40.7148.015.R	2500	27	15-16.76				1
40.7148.019.R	2500	27	17.52-19				1
40.7148.020.R	2500	27	21.52				1



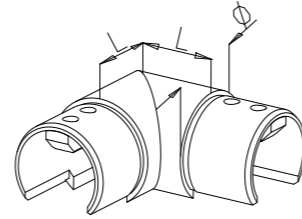
► **Model 7010 Elbow** **304** **Indoor**

CODE	L	Ø	☐
34.7010.420.M	30	42.4	1
34.7010.480.M	35	48.3	1



► **Model 7010 Elbow** **316's** **Outdoor**

CODE	L	Ø	☐
36.7010.420.M	30	42.4	1
36.7010.480.M	35	48.3	1



► **Model 7020 Elbow** **304** **Indoor**

CODE	L	Ø	☐
34.7020.420.M	30	42.4	1
34.7020.480.M	35	48.3	1

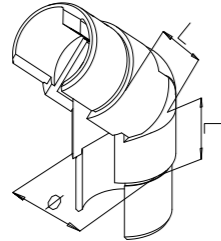


► **Model 7020 Elbow** **316's** **Outdoor**

CODE	L	Ø	☐
36.7020.420.M	30	42.4	1
36.7020.480.M	35	48.3	1



**0-60°
Downwards**



► **Model 7030 Adjustable elbow** **304** **Indoor**

CODE	L	Ø	☐
34.7030.420.M	30	42.4	1
34.7030.480.M	35	48.3	1

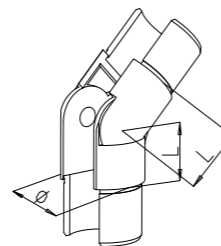


► **Model 7030 Adjustable elbow** **316's** **Outdoor**

CODE	L	Ø	☐
36.7030.420.M	30	42.4	1
36.7030.480.M	35	48.3	1



**25-60°
Upwards**



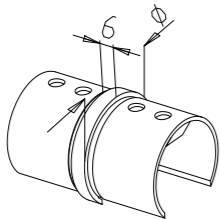
► **Model 7040 Adjustable elbow** **304** **Indoor**

CODE	L	Ø	☐
34.7040.420.M	30	42.4	1
34.7040.480.M	35	48.3	1



► **Model 7040 Adjustable elbow** **316's** **Outdoor**

CODE	L	Ø	☐
36.7040.420.M	30	42.4	1
36.7040.480.M	35	48.3	1



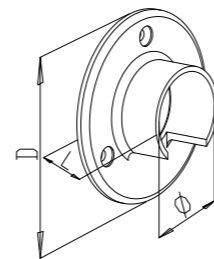
► **Model 7050 Joint connector** **304** **Indoor**

CODE	Ø	☐
34.7050.420.M	42.4	1
34.7050.480.M	48.3	1



► **Model 7050 Joint connector** **316's** **Outdoor**

CODE	Ø	☐
36.7050.420.M	42.4	1
36.7050.480.M	48.3	1



► **Model 7060 Wall flange** **304** **Indoor**

CODE	D	L	Ø	☐
34.7060.420.M	90	30	42.4	1
34.7060.480.M	95	35	48.3	1



► **Model 7060 Wall flange** **316's** **Outdoor**

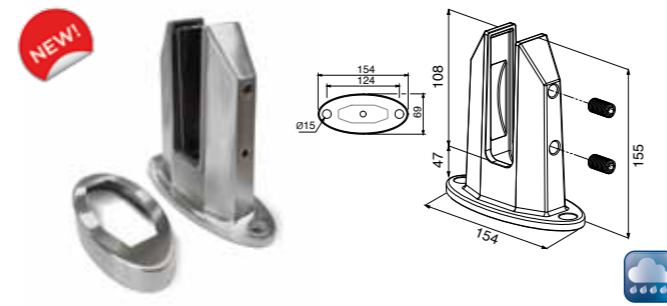
CODE	D	L	Ø	☐
36.7060.420.M	90	30	42.4	1
36.7060.480.M	95	35	48.3	1



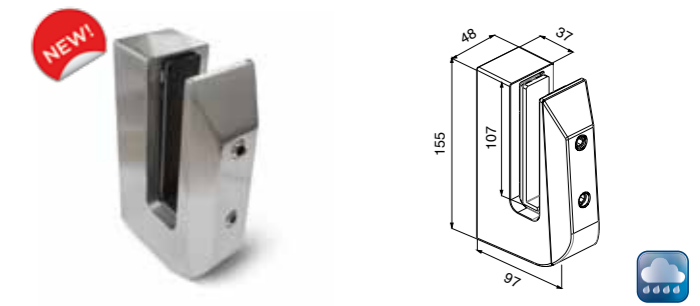


GLASS SPIGOTS

GLASS SPIGOTS



Model 5010 Top Mount	316's	Outdoor
CODE	ADJUSTABLE	G (MM)
36.5010.025.S	YES	12-25.52



Model 5020 Side Mount	316's	Outdoor
CODE	ADJUSTABLE	G (MM)
36.5020.025.S	YES	12-25.52



Model 5025 Side Mount Socket	316's	Outdoor
CODE		
36.5025.000.T		

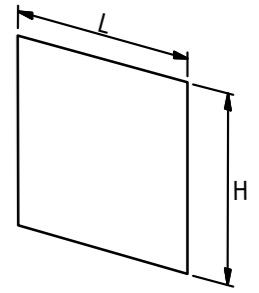
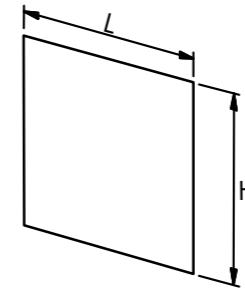




GLASS



GLASS TOUGHENED/LAMINATED



► Toughened glass

GLASS	Glass		Outdoor
	MM	L	H
12	12	TBC	TBC
15	15	TBC	TBC
19	19	TBC	TBC
25	25	TBC	TBC

► Laminated glass

GLASS	Glass		Outdoor
	MM	L	H
12.76	6/6/2	TBC	TBC
13.52	6/6/4	TBC	TBC
16.76	8/8/2	TBC	TBC
17.52	8/8/4	TBC	TBC
20.76	10/10/2	TBC	TBC
21.52	10/10/4	TBC	TBC
25.52	12/12/4	TBC	TBC
31.52	15/15/4	TBC	TBC

ALL SHAPES. ALL SIZES
 MADE TO YOUR REQUIREMENTS
 AT COMPETITIVE PRICES

YOUR ONE STOP SHOP





ALU-RAIL

ALU-RAIL

NEW!

► Model 8010 End Post **Aluminium** **Outdoor**

CODE	FINISH	⊞
11.8010.110.A	Silver Anodised	1

NEW!

► Model 8020 Mid Post **Aluminium** **Outdoor**

CODE	FINISH	⊞
11.8020.110.A	Silver Anodised	1

NEW!

► Model 8030 Corner Post **Aluminium** **Outdoor**

CODE	FINISH	⊞
11.8030.110.A	Silver Anodised	1

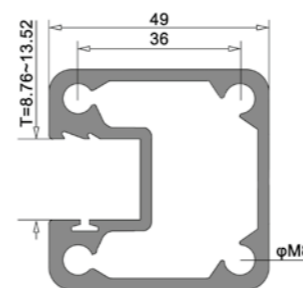
NEW!

► Model 8050 Seal Strips **Rubber** **Indoor**

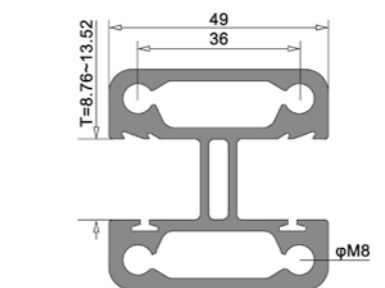
CODE	G	⊞
40.8050.010.R	10-10.76	2
40.8050.011.R	11.52	2
40.8050.012.R	12-12.76	2
40.8050.013.R	13.52	2



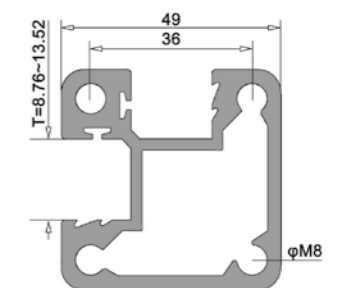
End Post



Middle Post



Corner Post



ALU-RAIL

NEW!

Model 8010 End Post

Aluminium	Outdoor
CODE	FINISH
11.8010.110.AG	RAL 7016
	1

NEW!

Model 8020 Mid Post

Aluminium	Outdoor
CODE	FINISH
11.8020.110.AG	RAL 7016
	1

NEW!

Model 8030 Corner Post

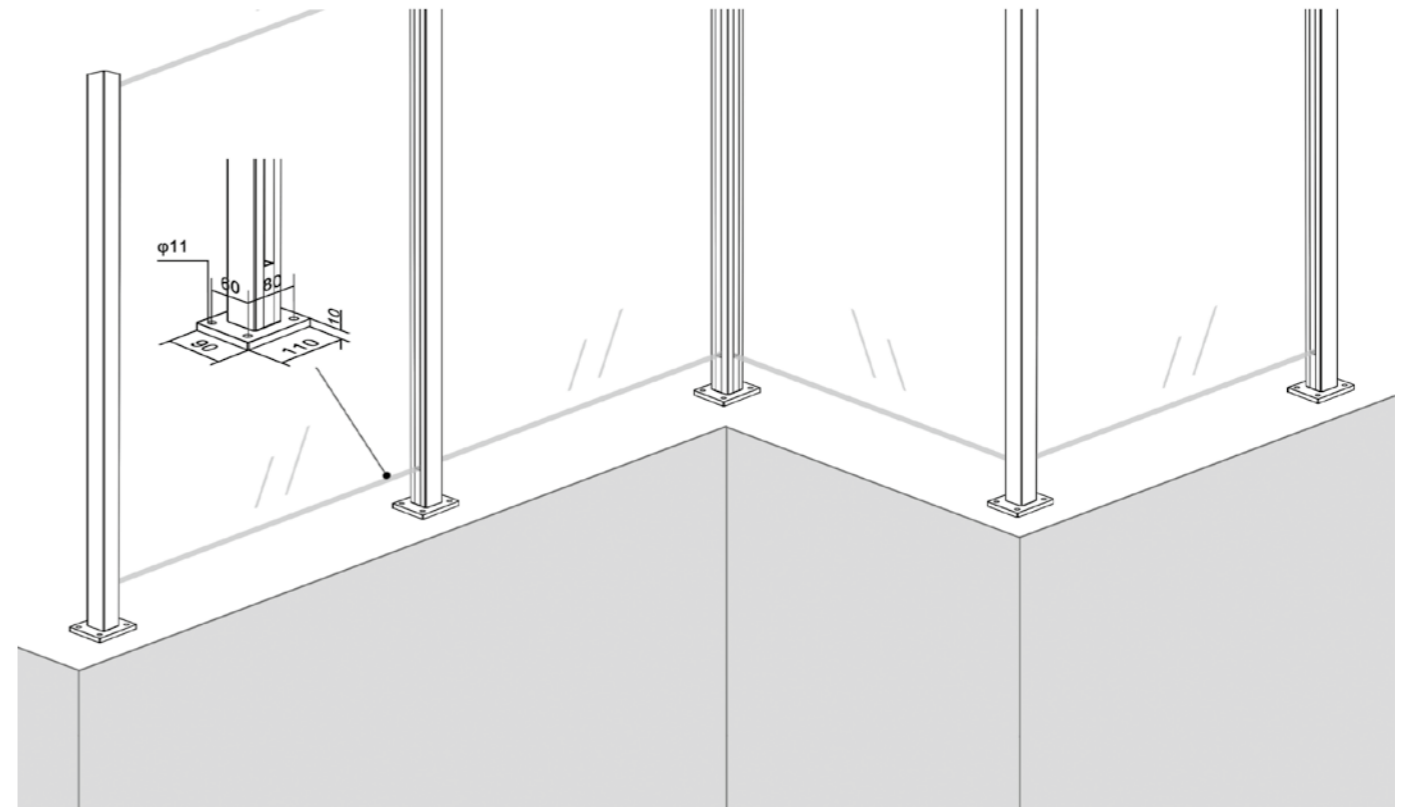
Aluminium	Outdoor
CODE	FINISH
11.8030.110.AG	RAL 7016
	1

NEW!

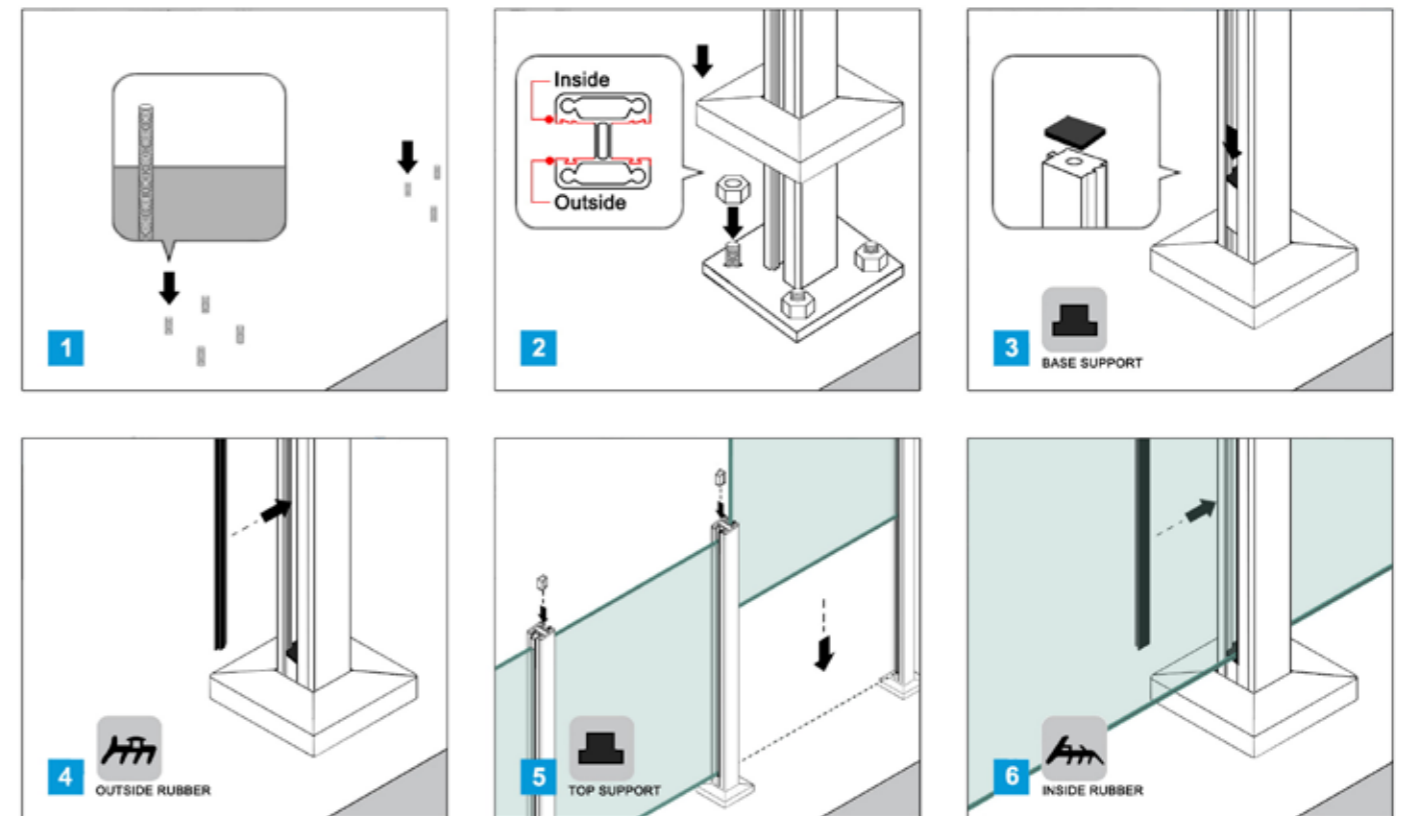
Model 8050 Seal Strips

Rubber	Indoor
CODE	G
40.8050.010.R	10-10.76
40.8050.011.R	11.52
40.8050.012.R	12-12.76
40.8050.013.R	13.52

ALU-RAIL



Installation Instructions



Fast-Fit®

Aligns and Secures



316's'

'Superior' Corrosion
Resistance with 2205



TIMBER-TEC

125 TIMBER HANDRAIL

125-126 TIMBER FITTINGS



FITTINGS

65-95 FITTINGS

97-99 MIRROR POLISHED

101-113 GLASS CLAMPS

115 JULIET BALCONY

117-119 GLASS CONNECTORS
& PANEL HOLDERS



TUBES AND BAR

129 BAR

129 TUBE

WIRE-TEC

121-122 WIRE FITTINGS

123 INFO



ACCESSORIES

131 TOOLS

131 GLUES AND CLEANERS

132-133 BOLTS AND SCREWS





Introducing...

Fast-Fit[®]

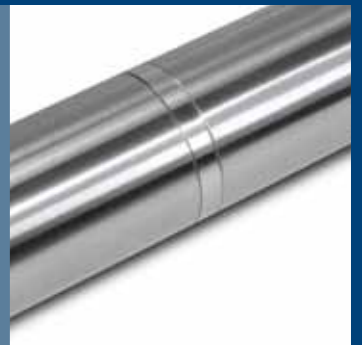


The Fastec 'Fast-Fit' system has been developed to help installers by aligning and securing the fitting into the tube until the glue cures. With just a simple push and twist the Fast-Fit rubber sleeve slides into the tube firmly holding and aligning the fitting. This allows installers to move onto the next joint safe in the knowledge that the fitting will be held correctly in position without vibrating loose or misaligning.

The Perfect Fit

CENTRALISES AND ALIGNS

Once inserted the unique rubber sleeve compresses equally around the circumference compensating for any movement between the fittings and tube. This equal compression centralises the fitting with the tube ensuring a consistent alignment between the two parts.



SECURES AND STABILISES

To help enable a secure and seamless fit for your joints Fast-Fit will securely hold the fitting in place whilst the glue is curing preventing gaps from forming through movement and vibration. By tightly securing the fitting to the tube it allows the installer to move onto the next joint without the need for extra remedial works to hold the fitting and tube together whilst the glue cures.



SAVING TIME AND MONEY

The simple solution that the Fast-Fit system offers is based on the key principles of saving time and money for the installer. To help with this cost reduction the Fast-Fit range will be charged at no extra cost allowing installers all the benefits of the Fast-Fit system at the same competitive price.



QUICKER INSTALLATION TIMES

Having the benefit of aligning and securing each joint Fast-Fit allows installation times to be reduced by upto 20%. The Fast-Fit unique innovation means installers do not need to take extra remedial work to secure the joints or wait until the glue cures before proceeding but can quickly progress from one joint to the next.



AVAILABLE FOR ALL GLUED INSERTS

The Fast-Fit system is available on all glued inserts for 48.3mm and 42.4mm diameter connectors, this means that the whole range has been incorporated giving the installer the benefit of the Fast-Fit system on all glued inserts.





FITTINGS

STEM CONNECTORS

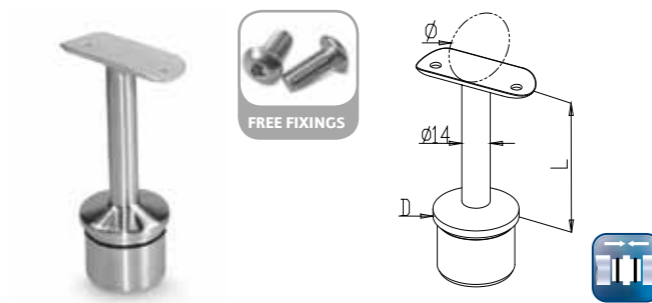


► **Model 0100 Stem** **304** **Indoor**

CODE	D	L	BOLT
34.0100.422.S	42.4 x 2.0	80	FF-12
34.0100.426.S	42.4 x 2.6	80	FF-12
34.0100.482.S	48.3 x 2.0	80	FF-12
34.0100.486.S	48.3 x 2.6	80	FF-12

► **Model 0100 Stem** **316's** **Outdoor**

CODE	D	L	BOLT
36.0100.422.S	42.4 x 2.0	80	FF-13
36.0100.426.S	42.4 x 2.6	80	FF-13
36.0100.482.S	48.3 x 2.0	80	FF-13
36.0100.486.S	48.3 x 2.6	80	FF-13



► **Model 0110 Stem** **304** **Indoor**

CODE	D	L	Ø	BOLT
34.0110.422.S	42.4 x 2.0	80	42.4	FF-10
34.0110.426.S	42.4 x 2.6	80	42.4	FF-10
34.0110.482.S	48.3 x 2.0	80	48.3	FF-10
34.0110.486.S	48.3 x 2.6	80	48.3	FF-10

► **Model 0111 Stem** **304** **Indoor**

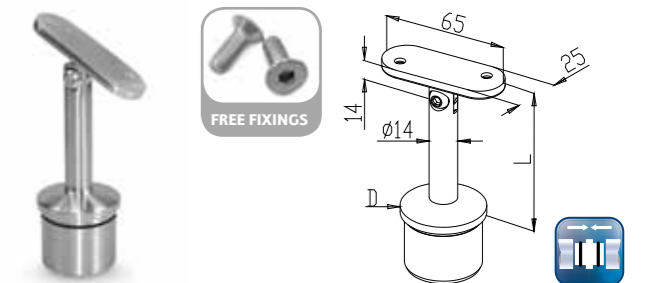
CODE	D	L	Ø	BOLT
34.0111.422.S	42.4 x 2.0	80	48.3	FF-10
34.0111.426.S	42.4 x 2.6	80	48.3	FF-10
34.0111.486.S	48.3 x 2.6	80	42.4	FF-10

► **Model 0110 Stem** **316's** **Outdoor**

CODE	D	L	Ø	BOLT
36.0110.422.S	42.4 x 2.0	80	42.4	FF-11
36.0110.426.S	42.4 x 2.6	80	42.4	FF-11
36.0110.482.S	48.3 x 2.0	80	48.3	FF-11
36.0110.486.S	48.3 x 2.6	80	48.3	FF-11

► **Model 0111 Stem** **316's** **Outdoor**

CODE	D	L	Ø	BOLT
36.0111.422.S	42.4 x 2.0	80	48.3	FF-11
36.0111.426.S	42.4 x 2.6	80	48.3	FF-11
36.0111.486.S	48.3 x 2.6	80	42.4	FF-11

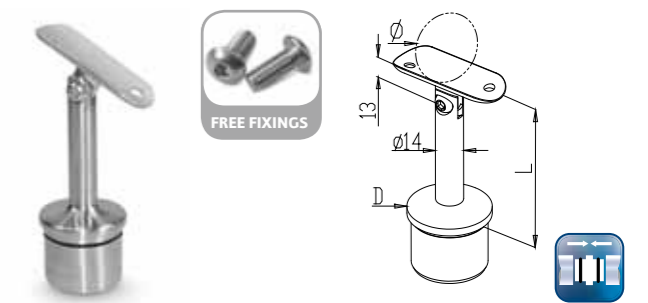


► **Model 0105 Adj Stem** **304** **Indoor**

CODE	D	L	BOLT
34.0105.422.S	42.4 x 2.0	80	FF-12
34.0105.426.S	42.4 x 2.6	80	FF-12
34.0105.482.S	48.3 x 2.0	80	FF-12
34.0105.486.S	48.3 x 2.6	80	FF-12

► **Model 0105 Adj Stem** **316's** **Outdoor**

CODE	D	L	BOLT
36.0105.422.S	42.4 x 2.0	80	FF-13
36.0105.426.S	42.4 x 2.6	80	FF-13
36.0105.482.S	48.3 x 2.0	80	FF-13
36.0105.486.S	48.3 x 2.6	80	FF-13



► **Model 0115 Adj Stem** **304** **Indoor**

CODE	D	L	Ø	BOLT
34.0115.422.S	42.4 x 2.0	80	42.4	FF-10
34.0115.426.S	42.4 x 2.6	80	42.4	FF-10
34.0115.482.S	48.3 x 2.0	80	48.3	FF-10
34.0115.486.S	48.3 x 2.6	80	48.3	FF-10

► **Model 0116 Adj Stem** **304** **Indoor**

CODE	D	L	Ø	BOLT
34.0116.426.S	42.4 x 2.6	80	48.3	FF-10
34.0116.486.S	48.3 x 2.6	80	42.4	FF-10

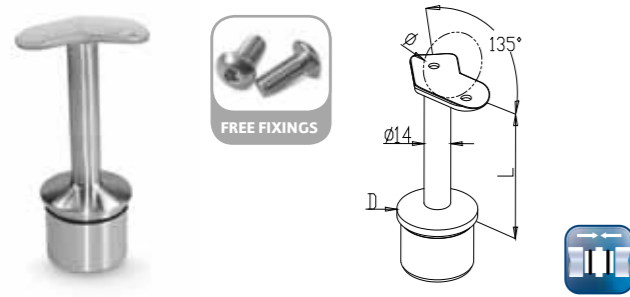
► **Model 0115 Adj Stem** **316's** **Outdoor**

CODE	D	L	Ø	BOLT
36.0115.422.S	42.4 x 2.0	80	42.4	FF-11
36.0115.426.S	42.4 x 2.6	80	42.4	FF-11
36.0115.482.S	48.3 x 2.0	80	48.3	FF-11
36.0115.486.S	48.3 x 2.6	80	48.3	FF-11

► **Model 0116 Adj Stem** **316's** **Outdoor**

CODE	D	L	Ø	BOLT
36.0116.426.S	42.4 x 2.6	80	48.3	FF-11
36.0116.486.S	48.3 x 2.6	80	42.4	FF-11

STEM CONNECTORS



► **Model 0120 135° Stem** **304** **Indoor**

CODE	D	L	Ø	BOLT
34.0120.422.S	42.4 x 2.0	80	42.4	FF-10
34.0120.426.S	42.4 x 2.6	80	42.4	FF-10
34.0120.482.S	48.3 x 2.0	80	48.3	FF-10
34.0120.486.S	48.3 x 2.6	80	48.3	FF-10

► **Model 0121 135° Stem** **304** **Indoor**

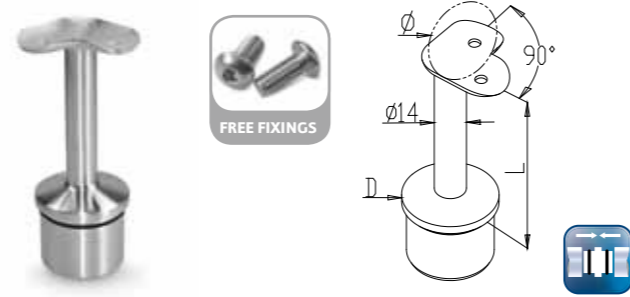
CODE	D	L	Ø	BOLT
34.0121.422.S	42.4 x 2.0	80	48.3	FF-10
34.0121.426.S	42.4 x 2.6	80	48.3	FF-10
34.0121.486.S	48.3 x 2.6	80	42.4	FF-10

► **Model 0120 135° Stem** **316's'** **Outdoor**

CODE	D	L	Ø	BOLT
36.0120.422.S	42.4 x 2.0	80	42.4	FF-11
36.0120.426.S	42.4 x 2.6	80	42.4	FF-11
36.0120.482.S	48.3 x 2.0	80	48.3	FF-11
36.0120.486.S	48.3 x 2.6	80	48.3	FF-11

► **Model 0121 135° Stem** **316's'** **Outdoor**

CODE	D	L	Ø	BOLT
36.0121.422.S	42.4 x 2.0	80	48.3	FF-11
36.0121.426.S	42.4 x 2.6	80	48.3	FF-11
36.0121.486.S	48.3 x 2.6	80	42.4	FF-11



► **Model 0130 90° Stem** **304** **Indoor**

CODE	D	L	Ø	BOLT
34.0130.422.S	42.4 x 2.0	80	42.4	FF-10
34.0130.426.S	42.4 x 2.6	80	42.4	FF-10
34.0130.482.S	48.3 x 2.0	80	48.3	FF-10
34.0130.486.S	48.3 x 2.6	80	48.3	FF-10

► **Model 0131 90° Stem** **304** **Indoor**

CODE	D	L	Ø	BOLT
34.0131.422.S	42.4 x 2.0	80	48.3	FF-10
34.0131.426.S	42.4 x 2.6	80	48.3	FF-10
34.0131.486.S	48.3 x 2.6	80	42.4	FF-10

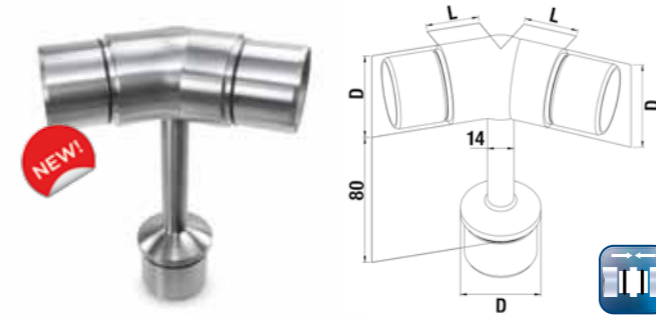
► **Model 0130 90° Stem** **316's'** **Outdoor**

CODE	D	L	Ø	BOLT
36.0130.422.S	42.4 x 2.0	80	42.4	FF-11
36.0130.426.S	42.4 x 2.6	80	42.4	FF-11
36.0130.482.S	48.3 x 2.0	80	48.3	FF-11
36.0130.486.S	48.3 x 2.6	80	48.3	FF-11

► **Model 0131 90° Stem** **316's'** **Outdoor**

CODE	D	L	Ø	BOLT
36.0131.422.S	42.4 x 2.0	80	48.3	FF-11
36.0131.426.S	42.4 x 2.6	80	48.3	FF-11
36.0131.486.S	48.3 x 2.6	80	42.4	FF-11

STEM CONNECTORS

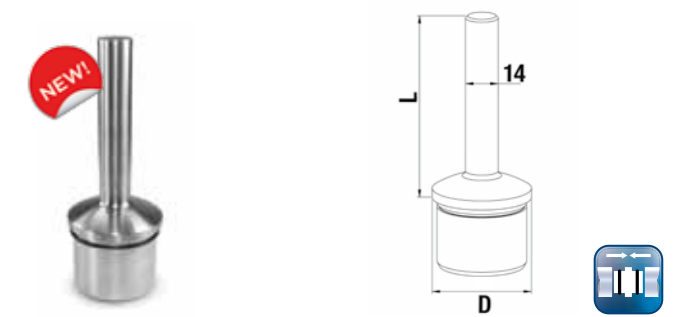


► **Model 0135 Stem/Adj Corner** **304** **Indoor**

CODE	D	L
34.0135.422.S	42.4 x 2.0	30
34.0135.426.S	42.4 x 2.6	30
34.0135.482.S	48.3 x 2.0	30
34.0135.486.S	48.3 x 2.6	30

► **Model 0135 Stem/Adj Corner** **316's'** **Outdoor**

CODE	D	L
36.0135.422.S	42.4 x 2.0	30
36.0135.426.S	42.4 x 2.6	30
36.0135.482.S	48.3 x 2.0	30
36.0135.486.S	48.3 x 2.6	30



► **Model 0140 Weldable Stem** **304** **Indoor**

CODE	D	L
34.0140.422.S	42.4 x 2.0	80
34.0140.426.S	42.4 x 2.6	80
34.0140.482.S	48.3 x 2.0	80
34.0140.486.S	48.3 x 2.6	80

► **Model 0140 Weldable Stem** **316's'** **Outdoor**

CODE	D	L
36.0140.422.S	42.4 x 2.0	80
36.0140.426.S	42.4 x 2.6	80
36.0140.482.S	48.3 x 2.0	80
36.0140.486.S	48.3 x 2.6	80

F ACCESSORIES



PAGE 131
Glue
50 ml
10.9010.000.A

F INFO

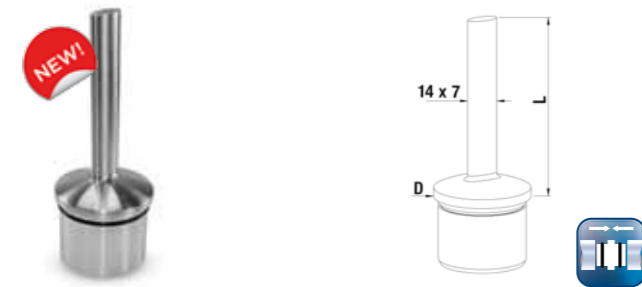


BLADE STEM CONNECTORS



► Model 0150 Blade Stem 304 Indoor				
CODE	D	L	Ø	BOLT
34.0150.422.S	42.4 x 2.0	80	42.4	FF-10
34.0150.426.S	42.4 x 2.6	80	42.4	FF-10
34.0150.482.S	48.3 x 2.0	80	48.3	FF-10
34.0150.486.S	48.3 x 2.6	80	48.3	FF-10

► Model 0150 Blade Stem 316's Outdoor				
CODE	D	L	Ø	BOLT
36.0150.422.S	42.4 x 2.0	80	42.4	FF-11
36.0150.426.S	42.4 x 2.6	80	42.4	FF-11
36.0150.482.S	48.3 x 2.0	80	48.3	FF-11
36.0150.486.S	48.3 x 2.6	80	48.3	FF-11



► Model 0157 Weldable Blade Stem 304 Indoor			
CODE	D	L	Ø
34.0157.422.S	42.4 x 2.0	80	42.4
34.0157.426.S	42.4 x 2.6	80	42.4
34.0157.482.S	48.3 x 2.0	80	48.3
34.0157.486.S	48.3 x 2.6	80	48.3

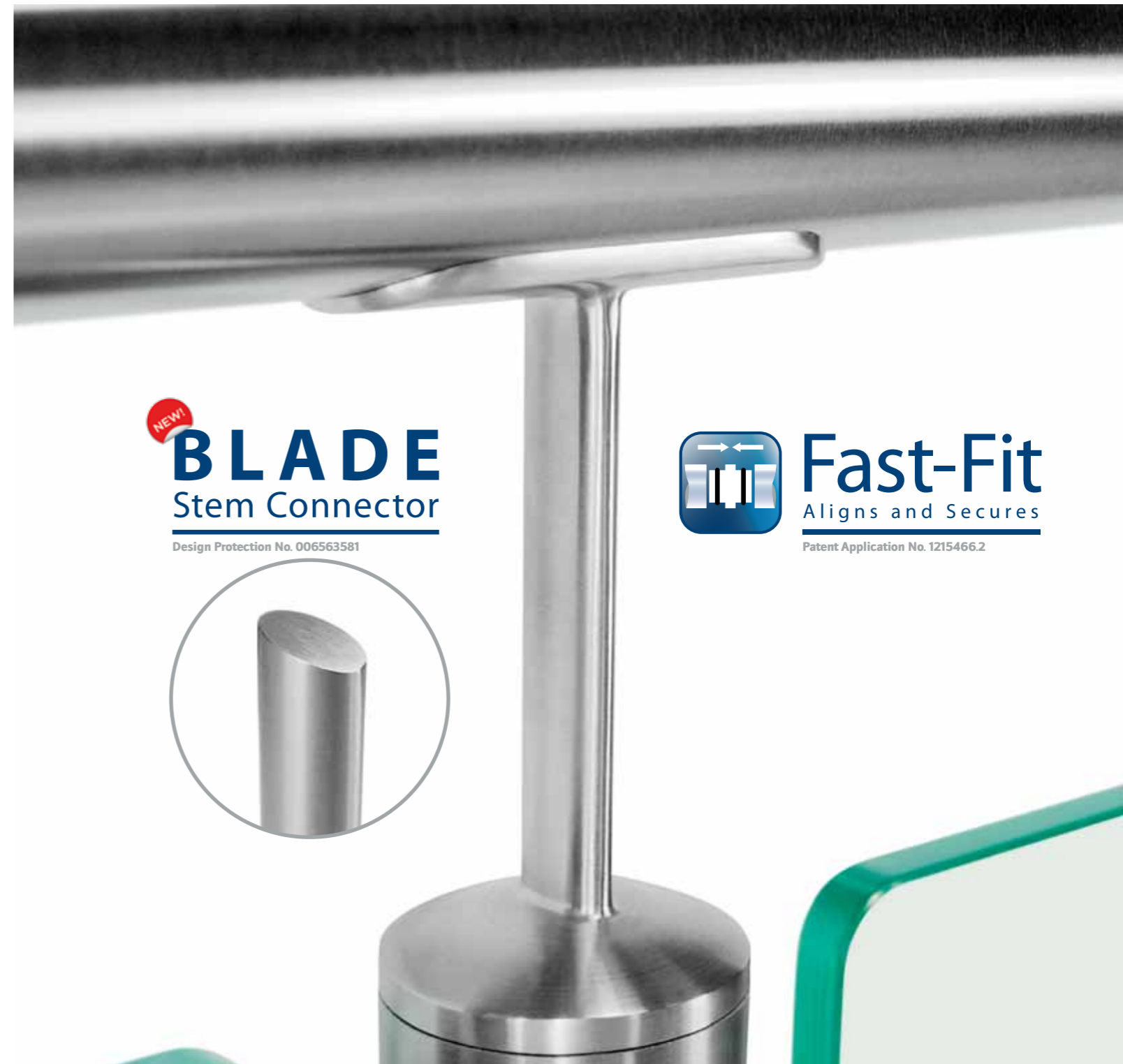
► Model 0157 Weldable Blade Stem 316's Outdoor			
CODE	D	L	Ø
36.0157.422.S	42.4 x 2.0	80	42.4
36.0157.426.S	42.4 x 2.6	80	42.4
36.0157.482.S	48.3 x 2.0	80	48.3
36.0157.486.S	48.3 x 2.6	80	48.3



► Model 0155 90° Blade Stem 304 Indoor				
CODE	D	L	Ø	BOLT
34.0155.422.S	42.4 x 2.0	80	42.4	FF-10
34.0155.426.S	42.4 x 2.6	80	42.4	FF-10
34.0155.482.S	48.3 x 2.0	80	48.3	FF-10
34.0155.486.S	48.3 x 2.6	80	48.3	FF-10

► Model 0155 90° Blade Stem 316's Outdoor				
CODE	D	L	Ø	BOLT
36.0155.422.S	42.4 x 2.0	80	42.4	FF-11
36.0155.426.S	42.4 x 2.6	80	42.4	FF-11
36.0155.482.S	48.3 x 2.0	80	48.3	FF-11
36.0155.486.S	48.3 x 2.6	80	48.3	FF-11

BLADE STEM CONNECTORS



Slimmer profile and simple lines at any angle



creativity
innovation
technical mastery

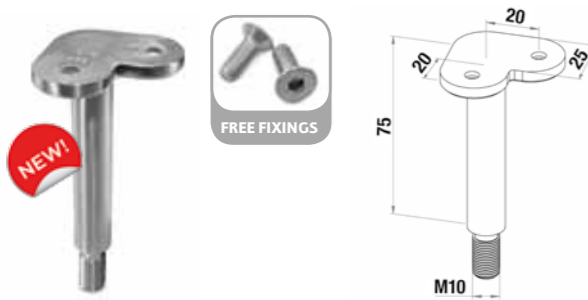
STEM AND SADDLES



Model 0200 Stem	304	Indoor
CODE		BOLT
34.0200.000.S		FF-12



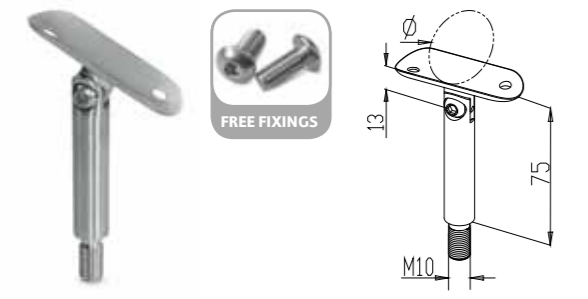
Model 0200 Stem	316's'	Outdoor
CODE		BOLT
36.0200.000.S		FF-13



Model 0220 90° Stem	304	Indoor
CODE		BOLT
34.0220.000.S		FF-12



Model 0220 90° Stem	316's'	Outdoor
CODE		BOLT
36.0220.000.S		FF-13



Model 0205 Adj Stem	304	Indoor
CODE	∅	BOLT
34.0205.420.S	42.4	FF-10
34.0205.480.S	48.3	FF-10



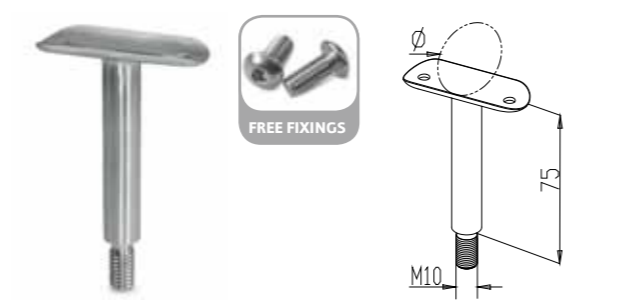
Model 0205 Adj Stem	316's'	Outdoor
CODE	∅	BOLT
36.0205.420.S	42.4	FF-11
36.0205.480.S	48.3	FF-11



Model 0205 Adj Stem	304	Indoor
CODE		BOLT
34.0205.000.S		FF-12



Model 0205 Adj Stem	316's'	Outdoor
CODE		BOLT
36.0205.000.S		FF-13



Model 0200 Stem	304	Indoor
CODE	∅	BOLT
34.0200.420.S	42.4	FF-10
34.0200.480.S	48.3	FF-10



Model 0200 Stem	316's'	Outdoor
CODE	∅	BOLT
36.0200.420.S	42.4	FF-11
36.0200.480.S	48.3	FF-11

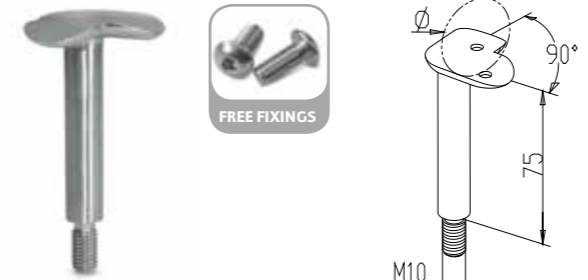


Model 0210 Adj Stem	304	Indoor
CODE	∅	BOLT
34.0210.420.S	42.4	FF-10
34.0210.480.S	48.3	FF-10



Model 0210 Adj Stem	316's'	Outdoor
CODE	∅	BOLT
36.0210.420.S	42.4	FF-11
36.0210.480.S	48.3	FF-11

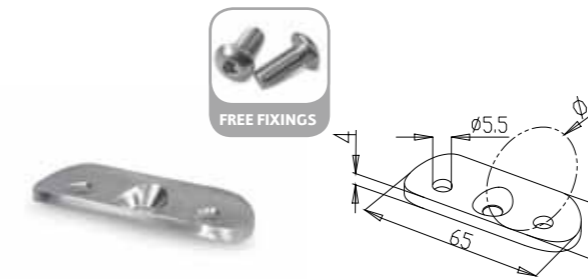
HANDRAIL SADDLE/STEMS



Model 0220 90° Stem	304	Indoor
CODE	∅	BOLT
34.0220.420.S	42.4	FF-10
34.0220.480.S	48.3	FF-10



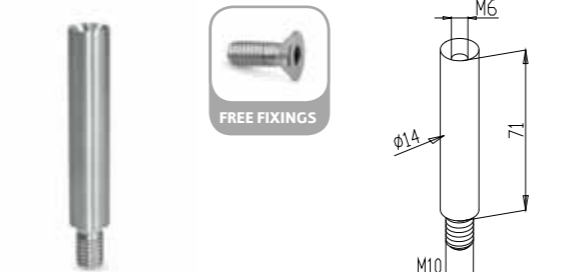
Model 0220 90° Stem	316's'	Outdoor
CODE	∅	BOLT
36.0220.420.S	42.4	FF-11
36.0220.480.S	48.3	FF-11



Model 0300 Saddle	304	Indoor
CODE	∅	BOLT
34.0300.420.S	42.4	FF-10
34.0300.480.S	48.3	FF-10



Model 0300 Saddle	316's'	Outdoor
CODE	∅	BOLT
36.0300.420.S	42.4	FF-11
36.0300.480.S	48.3	FF-11



Model 0310 Stem	304	Indoor
CODE		BOLT
34.0310.000.S		FF-48

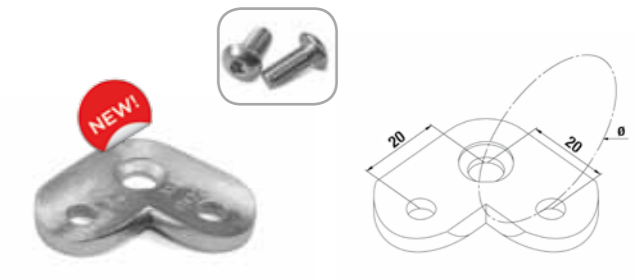
Model 0310 Stem	316	Outdoor
CODE		BOLT
36.0310.000.S		FF-49



Model 0300 Saddle	304	Indoor
CODE		BOLT
34.0300.000.S		FF-12



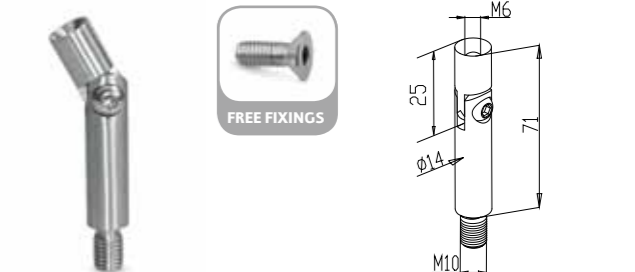
Model 0300 Saddle	316's'	Outdoor
CODE		BOLT
36.0300.000.S		FF-13



Model 0303 90° Saddle	304	Indoor
CODE	∅	BOLT
34.0303.420.S	42.4	FF-10
34.0303.480.S	48.3	FF-10



Model 0303 90° Saddle	316's'	Outdoor
CODE	∅	BOLT
36.0303.420.S	42.4	FF-11
36.0303.480.S	48.3	FF-11

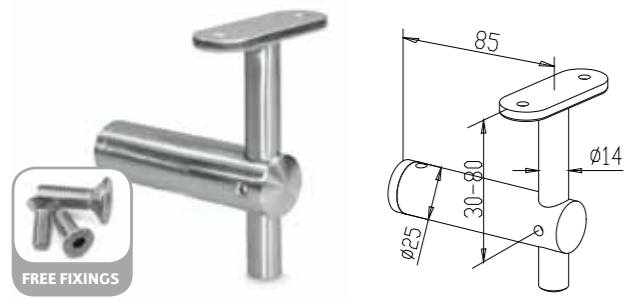


Model 0315 Adj Stem	304	Indoor
CODE		BOLT
34.0315.000.S		FF-48



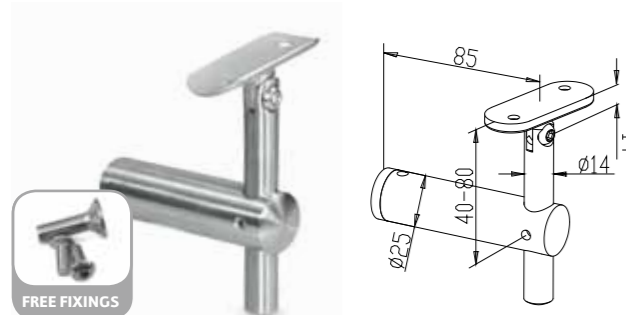
Model 0315 Adj Stem	316's'	Outdoor
CODE		BOLT
36.0315.000.S		FF-49

HANDRAIL BRACKETS POST FIX



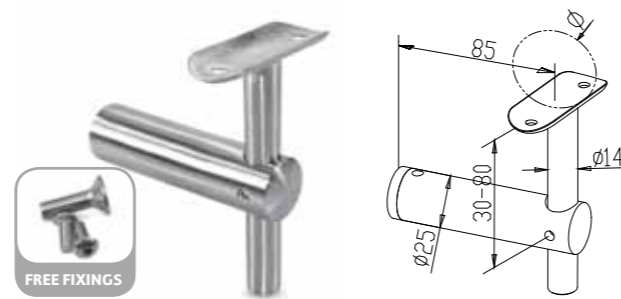
► Model 0400 Handrail Bracket		304	Indoor
CODE			BOLT
34.0400.000.S			FF-12/FF-21

► Model 0400 Handrail Bracket		316's	Outdoor
CODE			BOLT
36.0400.000.S			FF-13/FF-22



► Model 0405 Adj Handrail Bracket		304	Indoor
CODE	Ø		BOLT
34.0405.420.S	42.4		FF-10/FF-21
34.0405.480.S	48.3		FF-10/FF-21

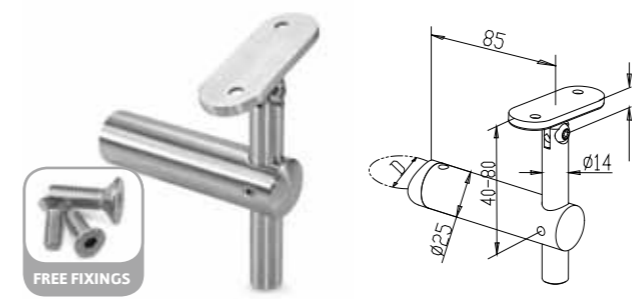
► Model 0405 Adj Handrail Bracket		316's	Outdoor
CODE	Ø		BOLT
36.0405.420.S	42.4		FF-11/FF-22
36.0405.480.S	48.3		FF-11/FF-22



► Model 0400 Handrail Bracket		304	Indoor
CODE	Ø		BOLT
34.0400.420.S	42.4		FF-10/FF-21
34.0400.480.S	48.3		FF-10/FF-21

► Model 0400 Handrail Bracket		316's	Outdoor
CODE	Ø		BOLT
36.0400.420.S	42.4		FF-11/FF-22
36.0400.480.S	48.3		FF-11/FF-22

HANDRAIL BRACKETS POST FIX



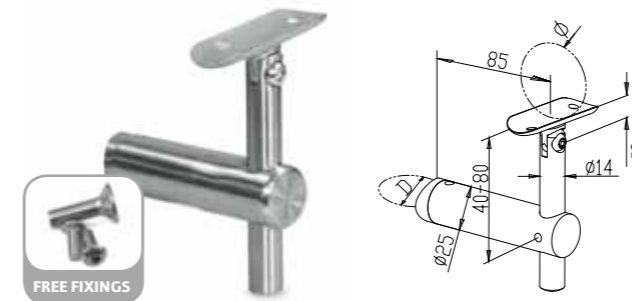
► Model 0415 Adj Handrail Bracket		304	Indoor
CODE	Ø		BOLT
34.0415.420.S	42.4		FF-12/FF-21
34.0415.480.S	48.3		FF-12/FF-21

► Model 0415 Adj Handrail Bracket		316's	Outdoor
CODE	Ø		BOLT
36.0415.420.S	42.4		FF-13/FF-22
36.0415.480.S	48.3		FF-13/FF-22



► Model 0420/0421 Handrail Bracket		304	Indoor
CODE	D	Ø	BOLT
34.0420.420.S	42.4	42.4	FF-10/FF-21
34.0420.480.S	48.3	48.3	FF-10/FF-21

► Model 0420/0421 Handrail Bracket		316's	Outdoor
CODE	D	Ø	BOLT
36.0420.420.S	42.4	42.4	FF-11/FF-22
36.0420.480.S	48.3	48.3	FF-11/FF-22



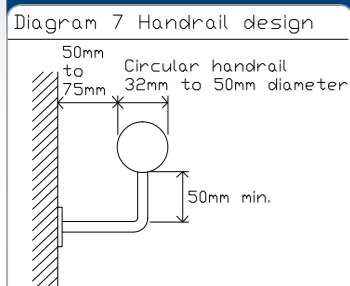
► Model 0425/0426 Handrail Bracket		304	Indoor
CODE	D	Ø	BOLT
34.0425.420.S	42.4	42.4	FF-10/FF-21
34.0425.480.S	48.3	48.3	FF-10/FF-21

► Model 0425/0426 Handrail Bracket		316's	Outdoor
CODE	D	Ø	BOLT
36.0425.420.S	42.4	42.4	FF-11/FF-22
36.0425.480.S	48.3	48.3	FF-11/FF-22



E INFO

'Part M' Requirement



E INFO

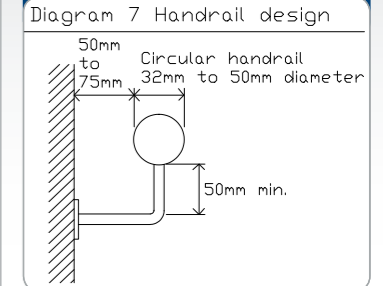


F INFO

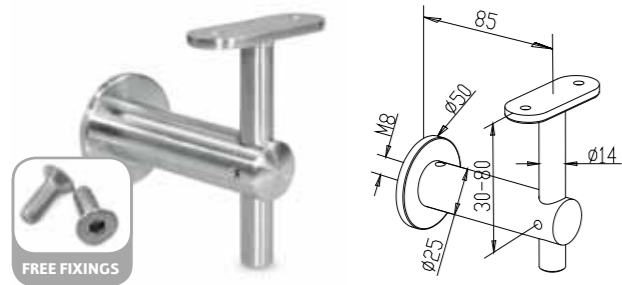


F INFO

'Part M' Requirement



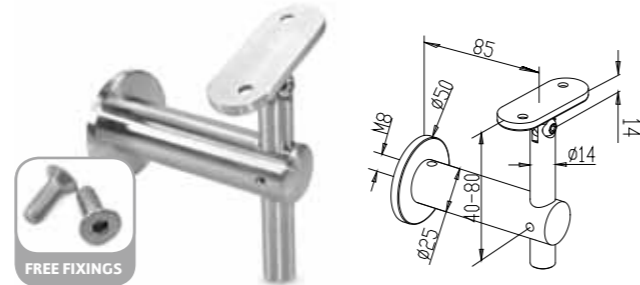
HANDRAIL BRACKETS WALL FIX



► Model 0430 Handrail Bracket	304	Indoor
CODE		BOLT
34.0430.000.S		FF-12



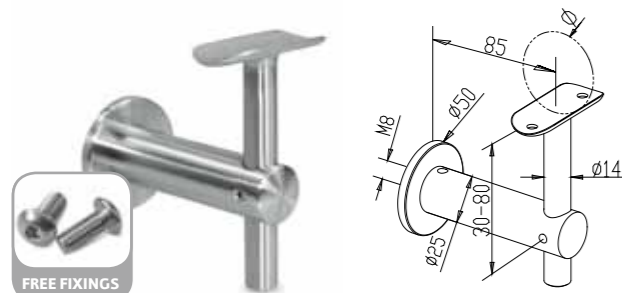
► Model 0430 Handrail Bracket	316's	Outdoor
CODE		BOLT
36.0430.000.S		FF-13



► Model 0435 Adj Handrail Bracket	304	Indoor
CODE		BOLT
34.0435.000.S		FF-12



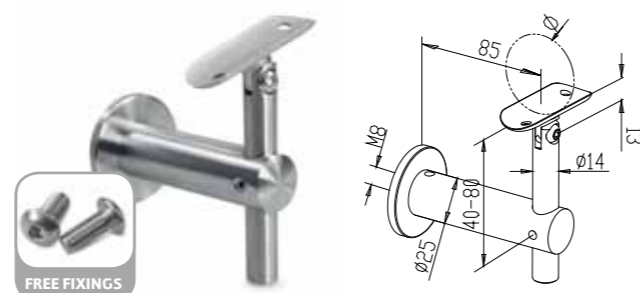
► Model 0435 Adj Handrail Bracket	316's	Outdoor
CODE		BOLT
36.0435.000.S		FF-13



► Model 0430 Handrail Bracket	304	Indoor
CODE	Ø	BOLT
34.0430.420.S	42.4	FF-10
34.0430.480.S	48.3	FF-10



► Model 0430 Handrail Bracket	316's	Outdoor
CODE	Ø	BOLT
36.0430.420.S	42.4	FF-11
36.0430.480.S	48.3	FF-11



► Model 0435 Adj Handrail Bracket	304	Indoor
CODE	Ø	BOLT
34.0435.420.S	42.4	FF-10
34.0435.480.S	48.3	FF-10



► Model 0435 Adj Handrail Bracket	316's	Outdoor
CODE	Ø	BOLT
36.0435.420.S	42.4	FF-11
36.0435.480.S	48.3	FF-11

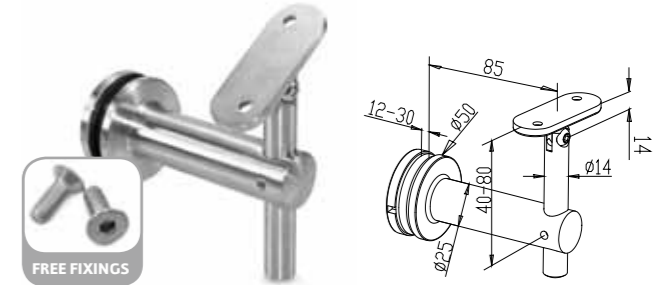
HANDRAIL BRACKETS GLASS FIX



► Model 0440 Handrail Bracket	304	Indoor
CODE		BOLT
34.0440.000.S		FF-12



► Model 0440 Handrail Bracket	316's	Outdoor
CODE		BOLT
36.0440.000.S		FF-13



► Model 0445 Adj Handrail Bracket	304	Indoor
CODE		BOLT
34.0445.000.S		FF-12



► Model 0445 Adj Handrail Bracket	316's	Outdoor
CODE		BOLT
36.0445.000.S		FF-13



► Model 0440 Handrail Bracket	304	Indoor
CODE	Ø	BOLT
34.0440.420.S	42.4	FF-10
34.0440.480.S	48.3	FF-10



► Model 0440 Handrail Bracket	316's	Outdoor
CODE	Ø	BOLT
36.0440.420.S	42.4	FF-11
36.0440.480.S	48.3	FF-11



► Model 0445 Adj Handrail Bracket	304	Indoor
CODE	Ø	BOLT
34.0445.420.S	42.4	FF-10
34.0445.480.S	48.3	FF-10



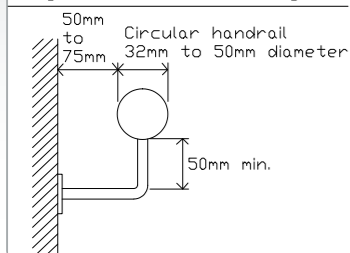
► Model 0445 Adj Handrail Bracket	316's	Outdoor
CODE	Ø	BOLT
36.0445.420.S	42.4	FF-11
36.0445.480.S	48.3	FF-11



E INFO

'Part M' Requirement

Diagram 7 Handrail design



E INFO



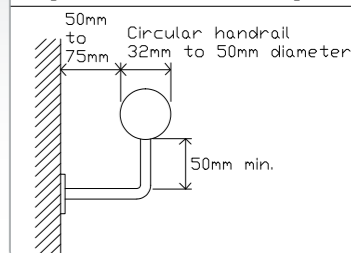
E INFO



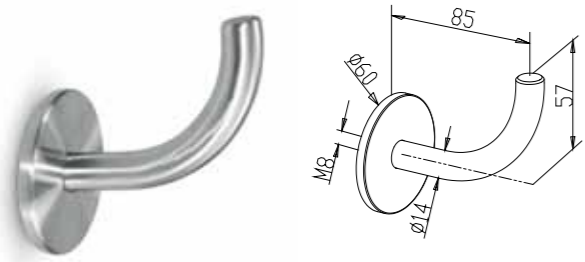
E INFO

'Part M' Requirement

Diagram 7 Handrail design



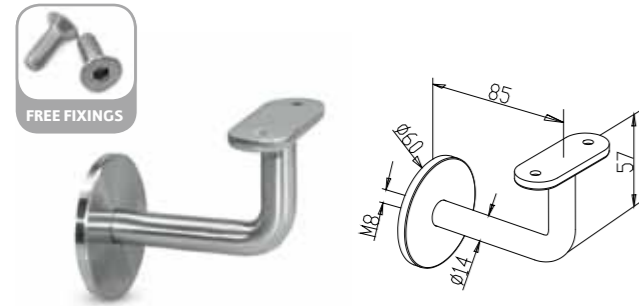
HANDRAIL BRACKETS WALL FIX



► Model 0510 Handrail Bracket	304	Indoor
CODE		
34.0510.000.S		



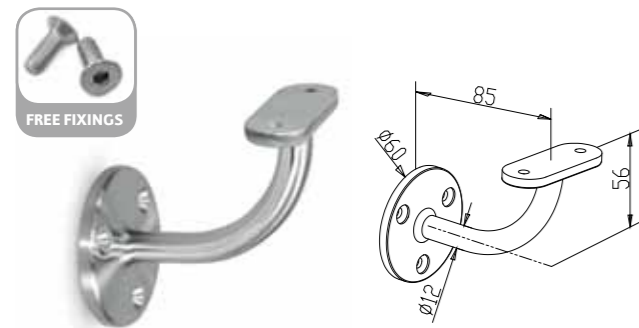
► Model 0510 Handrail Bracket	316's'	Outdoor
CODE		
36.0510.000.S		



► Model 0511 Handrail Bracket	304	Indoor
CODE		BOLT
34.0511.000.S		FF-12



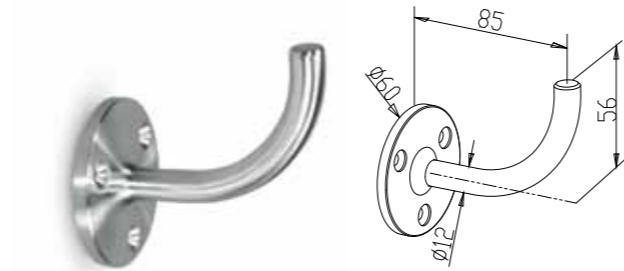
► Model 0511 Handrail Bracket	316's'	Outdoor
CODE		BOLT
36.0511.000.S		FF-13



► Model 0521 Handrail Bracket	304	Indoor
CODE		BOLT
34.0521.000.S		FF-12



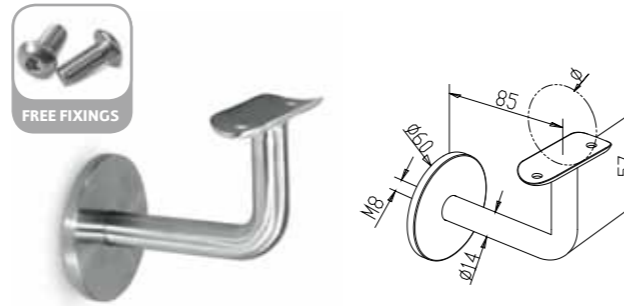
► Model 0521 Handrail Bracket	316's'	Outdoor
CODE		BOLT
36.0521.000.S		FF-13



► Model 0520 Handrail Bracket	304	Indoor
CODE		
34.0520.000.S		



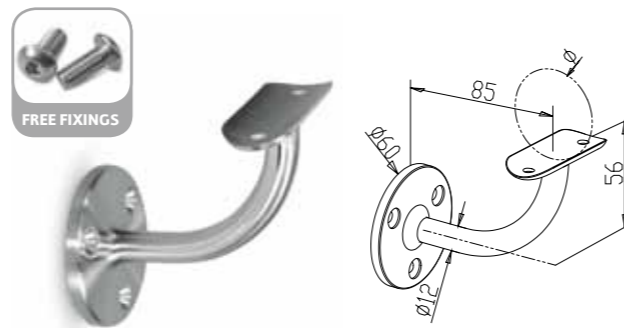
► Model 0520 Handrail Bracket	316's'	Outdoor
CODE		
36.0520.000.S		



► Model 0511 Handrail Bracket	304	Indoor
CODE	Ø	BOLT
34.0511.420.S	42.4	FF-10
34.0511.480.S	48.3	FF-10



► Model 0511 Handrail Bracket	316's'	Outdoor
CODE	Ø	BOLT
36.0511.420.S	42.4	FF-11
36.0511.480.S	48.3	FF-11



► Model 0521 Handrail Bracket	304	Indoor
CODE	Ø	BOLT
34.0521.420.S	42.4	FF-10
34.0521.480.S	48.3	FF-10



► Model 0521 Handrail Bracket	316's'	Outdoor
CODE	Ø	BOLT
36.0521.420.S	42.4	FF-11
36.0521.480.S	48.3	FF-11

HANDRAIL SUPPORTS



► Model 0525 Handrail Bracket	304	Indoor
CODE	Ø	BOLT
34.0525.420.S	42.4	FF-10
34.0525.480.S	48.3	FF-10



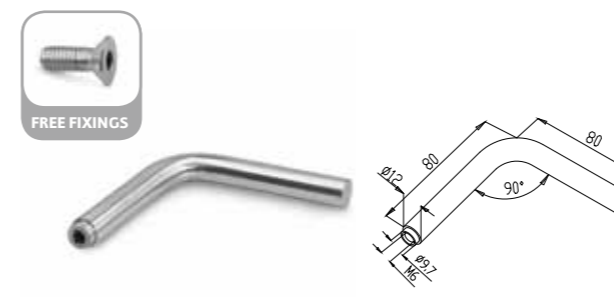
► Model 0521 Handrail Bracket	316's'	Outdoor
CODE	Ø	BOLT
36.0525.420.S	42.4	FF-11
36.0525.480.S	48.3	FF-11



► Model 0530 Handrail Support	304	Indoor
CODE	Ø	BOLT
34.0530.420.S	42.4	FF-10
34.0530.480.S	48.3	FF-10



► Model 0530 Handrail Support	316's'	Outdoor
CODE	Ø	BOLT
36.0530.420.S	42.4	FF-11
36.0530.480.S	48.3	FF-11



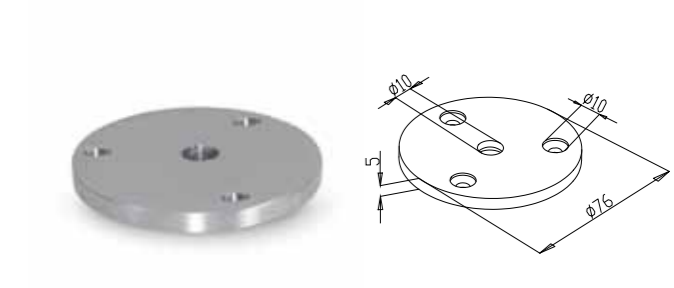
► Model 0541 90° Stem	304	Indoor
CODE		BOLT
34.0541.000.S		FF-48



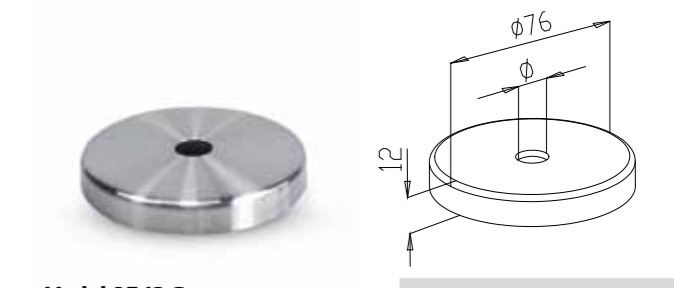
► Model 0530 Handrail Support	304	Indoor
CODE		BOLT
34.0530.000.S		FF-12



► Model 0530 Handrail Support	316's'	Outdoor
CODE		BOLT
36.0530.000.S		FF-13

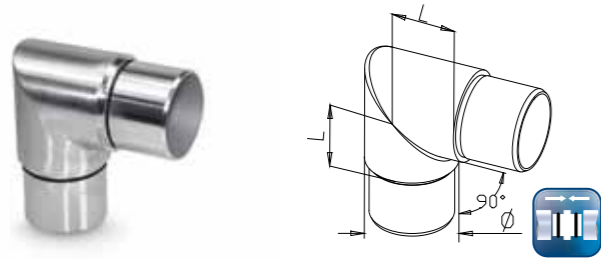


► Model 0540 Rosette	304	Indoor
CODE		
34.0540.070.S		



► Model 0542 Cover	304	Indoor
CODE		Ø
34.0542.012.S		12

ELBOWS

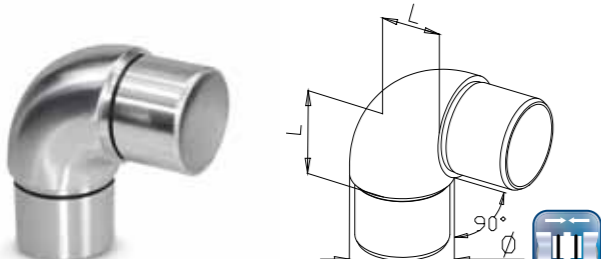


► **Model 0600 90° Elbow** **304** **Indoor**

CODE	L	Ø
34.0600.422.S	30	42.4 x 2.0
34.0600.426.S	30	42.4 x 2.6
34.0600.482.S	35	48.3 x 2.0
34.0600.486.S	35	48.3 x 2.6

► **Model 0600 90° Elbow** **316's** **Outdoor**

CODE	L	Ø
36.0600.422.S	30	42.4 x 2.0
36.0600.426.S	30	42.4 x 2.6
36.0600.482.S	35	48.3 x 2.0
36.0600.486.S	35	48.3 x 2.6

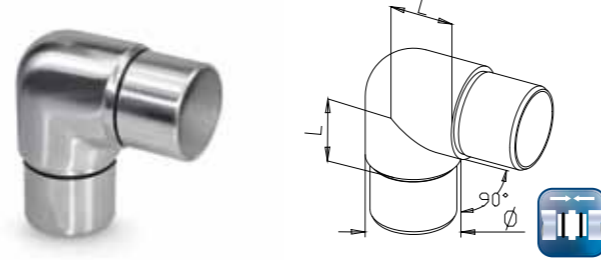


► **Model 0620 90° Elbow** **304** **Indoor**

CODE	L	Ø
34.0620.422.S	30	42.4 x 2.0
34.0620.426.S	30	42.4 x 2.6
34.0620.482.S	35	48.3 x 2.0
34.0620.486.S	35	48.3 x 2.6

► **Model 0620 90° Elbow** **316's** **Outdoor**

CODE	L	Ø
36.0620.422.S	30	42.4 x 2.0
36.0620.426.S	30	42.4 x 2.6
36.0620.482.S	35	48.3 x 2.0
36.0620.486.S	35	48.3 x 2.6

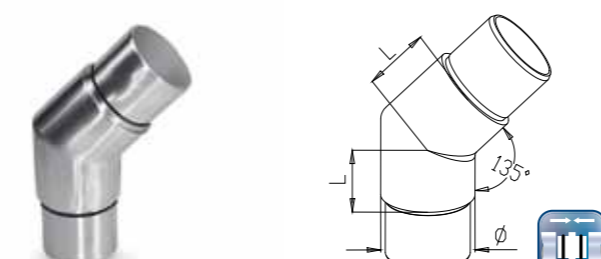


► **Model 0610 90° Elbow** **304** **Indoor**

CODE	L	Ø
34.0610.422.S	30	42.4 x 2.0
34.0610.426.S	30	42.4 x 2.6
34.0610.482.S	35	48.3 x 2.0
34.0610.486.S	35	48.3 x 2.6

► **Model 0610 90° Elbow** **316's** **Outdoor**

CODE	L	Ø
36.0610.422.S	30	42.4 x 2.0
36.0610.426.S	30	42.4 x 2.6
36.0610.482.S	35	48.3 x 2.0
36.0610.486.S	35	48.3 x 2.6



► **Model 0630 135° Elbow** **304** **Indoor**

CODE	L	Ø
34.0630.422.S	30	42.4 x 2.0
34.0630.426.S	30	42.4 x 2.6
34.0630.482.S	35	48.3 x 2.0
34.0630.486.S	35	48.3 x 2.6

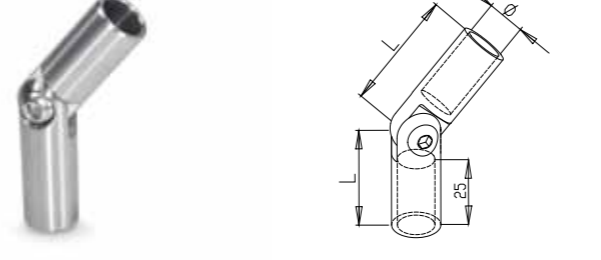
► **Model 0630 135° Elbow** **316's** **Outdoor**

CODE	L	Ø
36.0630.422.S	30	42.4 x 2.0
36.0630.426.S	30	42.4 x 2.6
36.0630.482.S	35	48.3 x 2.0
36.0630.486.S	35	48.3 x 2.6

E INFO



ELBOWS

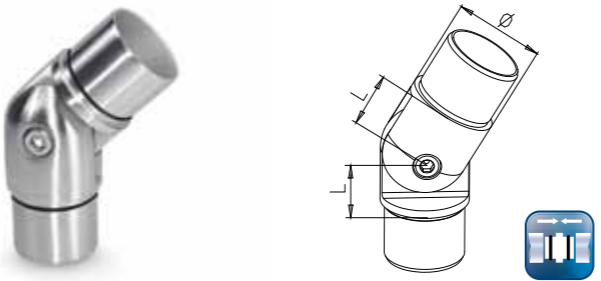


► **Model 0640 Adj Elbow** **304** **Indoor**

CODE	L	Ø
34.0640.012.S	35	12

► **Model 0640 Adj Elbow** **316's** **Outdoor**

CODE	L	Ø
36.0640.012.S	35	12

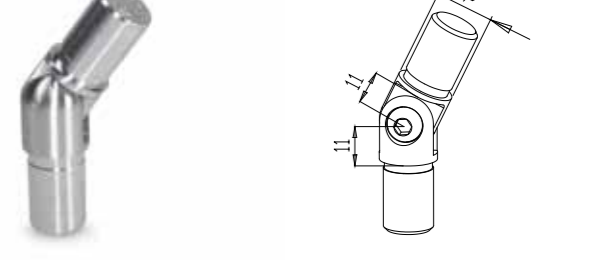


► **Model 0640 Adj Elbow** **304** **Indoor**

CODE	L	Ø
34.0640.422.S	27	42.4 x 2.0
34.0640.426.S	27	42.4 x 2.6
34.0640.482.S	30	48.3 x 2.0
34.0640.486.S	30	48.3 x 2.6

► **Model 0640 Adj Elbow** **316's** **Outdoor**

CODE	L	Ø
36.0640.422.S	27	42.4 x 2.0
36.0640.426.S	27	42.4 x 2.6
36.0640.482.S	30	48.3 x 2.0
36.0640.486.S	30	48.3 x 2.6

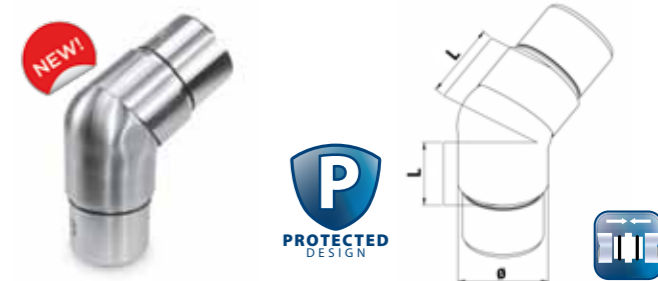


► **Model 0640 Adj Elbow** **304** **Indoor**

CODE	L	Ø
34.0640.016.S		16 x 1.0

► **Model 0640 Adj Elbow** **316's** **Outdoor**

CODE	L	Ø
36.0640.016.S	35	16 x 1.0

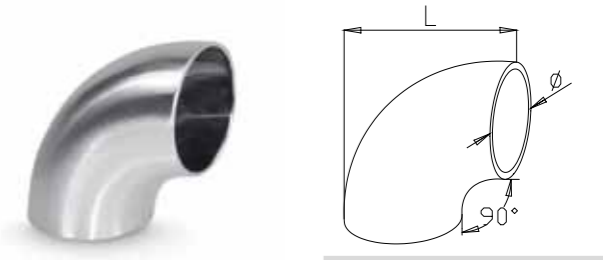


► **Model 0645 Adj Elbow** **304** **Indoor**

CODE	L	Ø
34.0645.422.S	30	42.4 x 2.0
34.0645.426.S	30	42.4 x 2.6
34.0645.482.S	35	48.3 x 2.0
34.0645.486.S	35	48.3 x 2.6

► **Model 0645 Adj Elbow** **316's** **Outdoor**

CODE	L	Ø
36.0645.422.S	30	42.4 x 2.0
36.0645.426.S	30	42.4 x 2.6
36.0645.482.S	35	48.3 x 2.0
36.0645.486.S	35	48.3 x 2.6



► **304 Model 0650** **304** **Indoor**

CODE	L	Ø
34.0650.420.S	65	42.4
34.0650.480.S	75	48.3

► **316's Model 0650** **316's** **Outdoor**

CODE	L	Ø
36.0650.420.S	65	42.4
36.0650.480.S	75	48.3

E ACCESSORIES



PAGE 131

Glue
50 ml
10.9010.000.A

seamless adjustment is now here

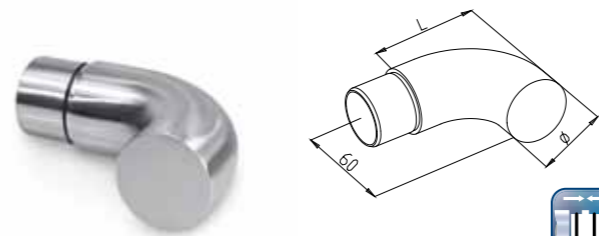


Fastec's new adjustable fittings allow seamless change in directions without compromising the shape and feel of the handrail



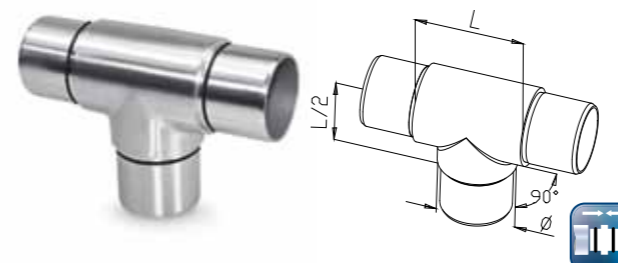
Slimmer profile and simple lines at any angle

CONNECTORS



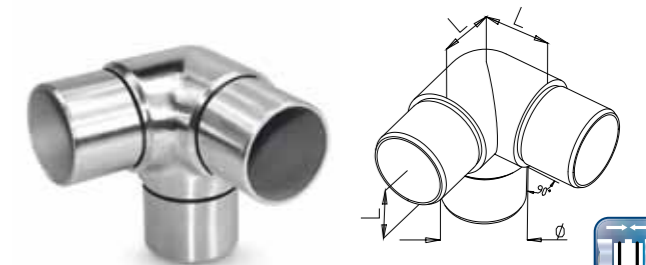
► Model 0660		
	304	Indoor
CODE	L	Ø
34.0660.422.S	80	42.4 x 2.0
34.0660.426.S	80	42.4 x 2.6
34.0660.482.S	85	48.3 x 2.0
34.0660.486.S	85	48.3 x 2.6

► Model 0660		
	316's	Outdoor
CODE	L	Ø
36.0660.422.S	80	42.4 x 2.0
36.0660.426.S	80	42.4 x 2.6
36.0660.482.S	85	48.3 x 2.0
36.0660.486.S	85	48.3 x 2.6



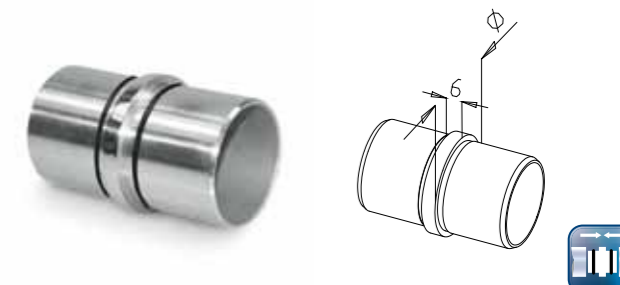
► Model 0710		
	304	Indoor
CODE	L	Ø
34.0710.422.S	60	42.4 x 2.0
34.0710.426.S	60	42.4 x 2.6
34.0710.482.S	70	48.3 x 2.0
34.0710.486.S	70	48.3 x 2.6

► Model 0710		
	316's	Outdoor
CODE	L	Ø
36.0710.422.S	60	42.4 x 2.0
36.0710.426.S	60	42.4 x 2.6
36.0710.482.S	70	48.3 x 2.0
36.0710.486.S	70	48.3 x 2.6



► Model 0700		
	304	Indoor
CODE	L	Ø
34.0700.422.S	30	42.4 x 2.0
34.0700.426.S	30	42.4 x 2.6
34.0700.482.S	35	48.3 x 2.0
34.0700.486.S	35	48.3 x 2.6

► Model 0700		
	316's	Outdoor
CODE	L	Ø
36.0700.422.S	30	42.4 x 2.0
36.0700.426.S	30	42.4 x 2.6
36.0700.482.S	35	48.3 x 2.0
36.0700.486.S	35	48.3 x 2.6



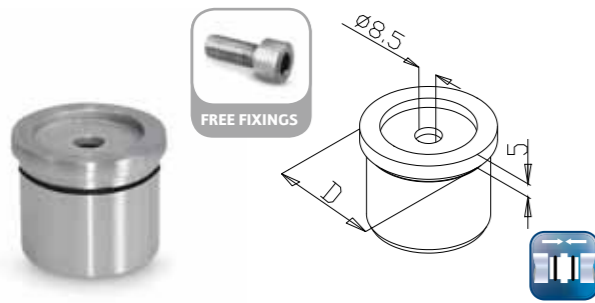
► Model 0720		
	304	Indoor
CODE	L	Ø
34.0720.422.S		42.4 x 2.0
34.0720.426.S		42.4 x 2.6
34.0720.482.S		48.3 x 2.0
34.0720.486.S		48.3 x 2.6

► Model 0720		
	316's	Outdoor
CODE	L	Ø
36.0720.422.S		42.4 x 2.0
36.0720.426.S		42.4 x 2.6
36.0720.482.S		48.3 x 2.0
36.0720.486.S		48.3 x 2.6



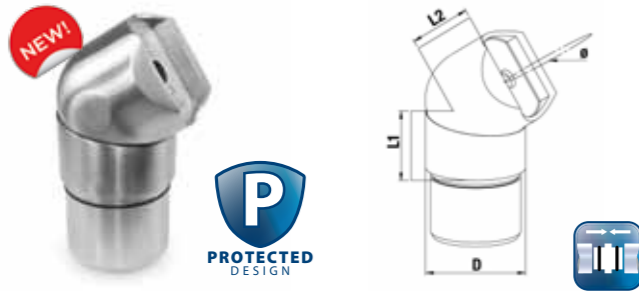
INFO

CONNECTORS



► Model 0730 Adaptor			304	Indoor
CODE	D	BOLT		
34.0730.422.S	42.4 x 2.0	FF-45		
34.0730.426.S	42.4 x 2.6	FF-45		
34.0730.482.S	48.3 x 2.0	FF-45		
34.0730.486.S	48.3 x 2.6	FF-45		

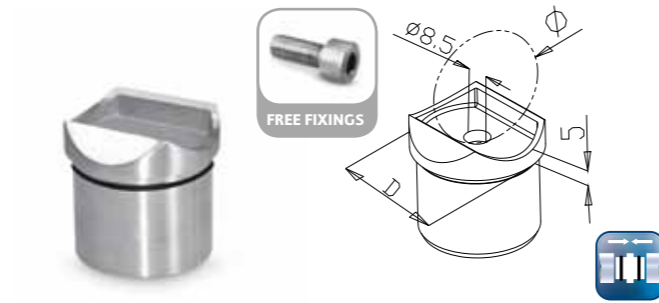
► Model 0730 Adaptor			316's'	Outdoor
CODE	D	BOLT		
36.0730.422.S	42.4 x 2.0	FF-46		
36.0730.426.S	42.4 x 2.6	FF-46		
36.0730.482.S	48.3 x 2.0	FF-46		
36.0730.486.S	48.3 x 2.6	FF-46		



► Model 0735 Adj Adaptor						304	Indoor
CODE	D	L1	L2	Ø	BOLT		
34.0735.422.S	42.4 x 2.0	30	26.5	42.4	FF-45		
34.0735.426.S	42.4 x 2.6	30	26.5	42.4	FF-45		
34.0735.482.S	48.3 x 2.0	35	33.5	48.3	FF-45		
34.0735.486.S	48.3 x 2.6	35	33.5	48.3	FF-45		

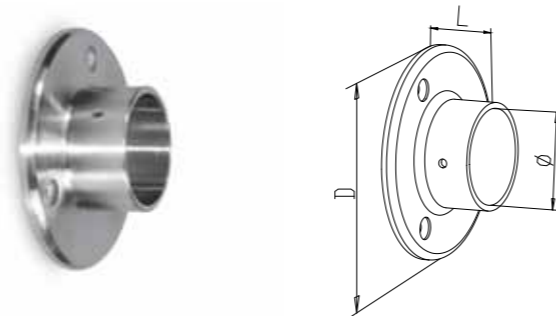
► Model 0735 Adj Adaptor						316's'	Outdoor
CODE	D	L1	L2	Ø	BOLT		
36.0735.422.S	42.4 x 2.0	30	26.5	42.4	FF-46		
36.0735.426.S	42.4 x 2.6	30	26.5	42.4	FF-46		
36.0735.482.S	48.3 x 2.0	35	33.5	48.3	FF-46		
36.0735.486.S	48.3 x 2.6	35	33.5	48.3	FF-46		

INFO



► Model 0731/0732 Adaptor					304	Indoor
CODE	D	Ø	BOLT			
34.0731.422.S	42.4 x 2.0	42.4	FF-45			
34.0731.426.S	42.4 x 2.6	42.4	FF-45			
34.0731.482.S	48.3 x 2.0	48.3	FF-45			
34.0731.482.S	48.3 x 2.6	48.3	FF-45			
34.0732.422.S	42.4 x 2.0	48.3	FF-45			
34.0732.426.S	42.4 x 2.6	48.3	FF-45			

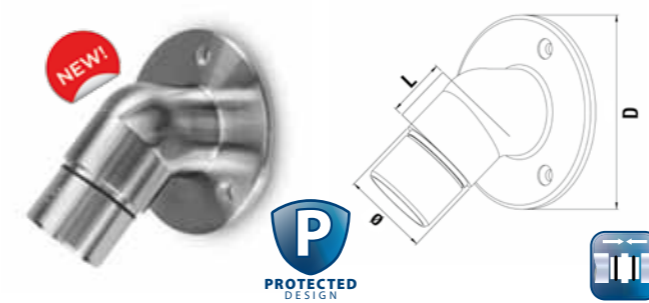
► Model 0731/0732 Adaptor					316's'	Outdoor
CODE	D	Ø	BOLT			
36.0731.422.S	42.4 x 2.0	42.4	FF-46			
36.0731.426.S	42.4 x 2.6	42.4	FF-46			
36.0731.482.S	48.3 x 2.0	48.3	FF-46			
36.0731.482.S	48.3 x 2.0	48.3	FF-46			
36.0732.482.S	42.4 x 2.0	48.3	FF-46			
36.0732.486.S	42.4 x 2.6	48.3	FF-46			



► Model 0740 Wall Flange					304	Indoor
CODE	D	L	Ø	BOLT		
34.0740.420.S	95	30	42.4	FF-6		
34.0740.480.S	100	35	48.3	FF-6		

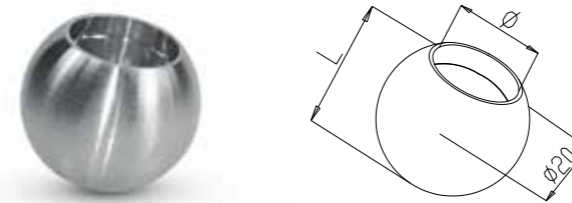
► Model 0740 Wall Flange					316's'	Outdoor
CODE	D	L	Ø	BOLT		
36.0740.420.S	95	30	42.4	FF-7		
36.0740.480.S	100	35	48.3	FF-7		

CONNECTORS



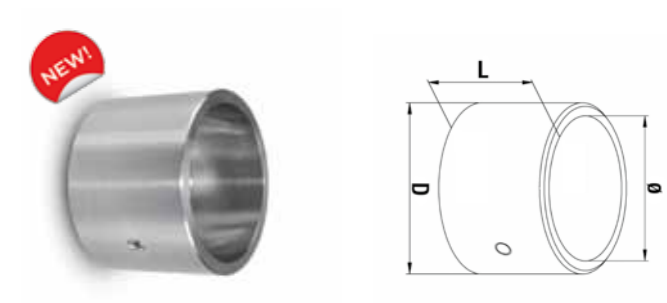
► Model 0745 Adj Wall Flange				304	Indoor
CODE	D	L	Ø		
34.0745.422.S	95	30	42.4 x 2.0		
34.0745.426.S	95	30	42.4 x 2.6		
34.0745.482.S	100	35	48.3 x 2.0		
34.0745.486.S	100	35	48.3 x 2.6		

► Model 0745 Adj Wall Flange				316's'	Outdoor
CODE	D	L	Ø		
36.0745.422.S	95	30	42.4 x 2.0		
36.0745.426.S	95	30	42.4 x 2.6		
36.0745.482.S	100	35	48.3 x 2.0		
36.0745.486.S	100	35	48.3 x 2.6		



► Model 0750 Ball End			304	Indoor
CODE	L	Ø		
34.0750.012.S	17.5	12		

► Model 0750 Ball End			316's'	Outdoor
CODE	L	Ø		
36.0750.012.S	17.5	12		



► Model 0748 Slim Wall Flange				304	Indoor
CODE	D	L	Ø		
34.0748.420.S	50	35	42.4		
34.0748.480.S	56	35	48.3		

► Model 0748 Slim Wall Flange				316's'	Outdoor
CODE	D	L	Ø		
36.0748.420.S	50	35	42.4		
36.0748.480.S	56	35	48.3		



► Model 0760 Support			304	Indoor
CODE	Ø	BOLT		
34.0760.420.S	42.4	FF-29		

► Model 0760 Support			316's'	Outdoor
CODE	Ø	BOLT		
36.0760.420.S	42.4	FF-29		

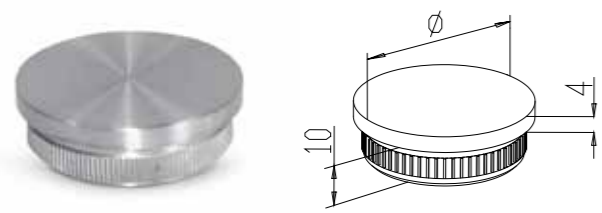
ACCESSORIES



INFO



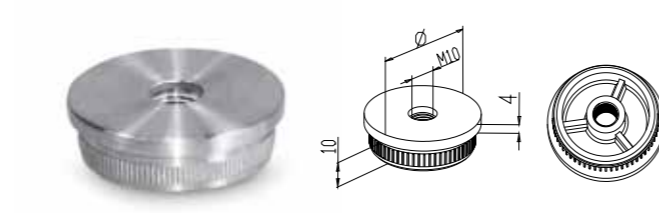
ENDCAPS



Model 0800 Flat End Cap	304	Indoor
CODE		Ø
34.0800.422.S		42.4 x 2.0
34.0800.426.S		42.4 x 2.6
34.0800.482.S		48.3 x 2.0
34.0800.486.S		48.3 x 2.6



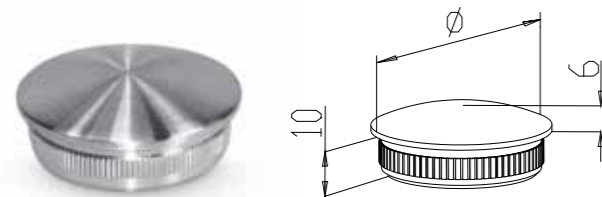
Model 0800 Flat End Cap	316's	Outdoor
CODE		Ø
36.0800.422.S		42.4 x 2.0
36.0800.426.S		42.4 x 2.6
36.0800.482.S		48.3 x 2.0
36.0800.486.S		48.3 x 2.6



Model 0801 Flat End Cap	304	Indoor
CODE		Ø
34.0801.422.S		42.4 x 2.0
34.0801.426.S		42.4 x 2.6
34.0801.482.S		48.3 x 2.0
34.0801.486.S		48.3 x 2.6



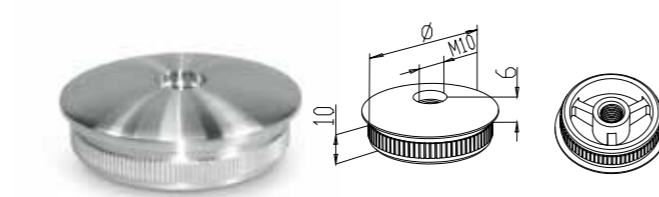
Model 0801 Flat End Cap	316's	Outdoor
CODE		Ø
36.0801.422.S		42.4 x 2.0
36.0801.426.S		42.4 x 2.6
36.0801.482.S		48.3 x 2.0
36.0801.486.S		48.3 x 2.6



Model 0810 Raised End Cap	304	Indoor
CODE		Ø
34.0810.422.S		42.4 x 2.0
34.0810.426.S		42.4 x 2.6
34.0810.482.S		48.3 x 2.0
34.0810.486.S		48.3 x 2.6



Model 0810 Raised End Cap	316's	Outdoor
CODE		Ø
36.0810.422.S		42.4 x 2.0
36.0810.426.S		42.4 x 2.6
36.0810.482.S		48.3 x 2.0
36.0810.486.S		48.3 x 2.6

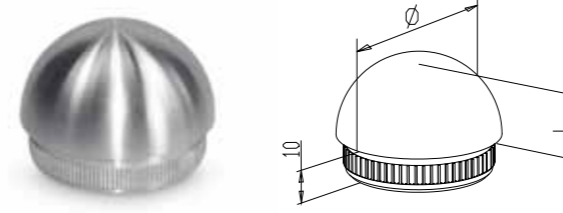


Model 0811 Raised End Cap	304	Indoor
CODE		Ø
34.0811.422.S		42.4 x 2.0
34.0811.426.S		42.4 x 2.6
34.0811.482.S		48.3 x 2.0
34.0811.486.S		48.3 x 2.6



Model 0811 Raised End Cap	316's	Outdoor
CODE		Ø
36.0811.422.S		42.4 x 2.0
36.0811.426.S		42.4 x 2.6
36.0811.482.S		48.3 x 2.0
36.0811.486.S		48.3 x 2.6

ENDCAPS



Model 0820 Domed End Cap	304	Indoor
CODE	L	Ø
34.0820.422.S	21	42.4 x 2.0
34.0820.426.S	21	42.4 x 2.6
34.0820.482.S	24	48.3 x 2.0
34.0820.486.S	24	48.3 x 2.6



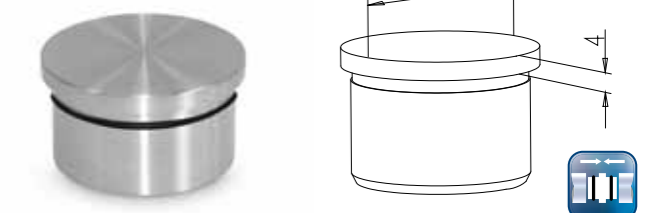
Model 0820 Domed End Cap	316's	Outdoor
CODE	L	Ø
36.0820.422.S	21	42.4 x 2.0
36.0820.426.S	21	42.4 x 2.6
36.0820.482.S	24	48.3 x 2.0
36.0820.486.S	24	48.3 x 2.6



Model 0860 Raised End Cap	304	Indoor
CODE	L	Ø
34.0860.016.S	4	16 x 1.0
34.0860.422.S	9	42.4 x 2.0
34.0860.426.S	9	42.4 x 2.6
34.0860.482.S	10	48.3 x 2.0
34.0860.486.S	10	48.3 x 2.6



Model 0860 Raised End Cap	316's	Outdoor
CODE	L	Ø
36.0860.016.S	4	16 x 1.0
36.0860.422.S	9	42.4 x 2.0
36.0860.426.S	9	42.4 x 2.6
36.0860.482.S	10	48.3 x 2.0
36.0860.486.S	10	48.3 x 2.6



Model 0850 Flat End Cap	304	Indoor
CODE		Ø
34.0850.422.S		42.4 x 2.0
34.0850.426.S		42.4 x 2.6
34.0850.482.S		48.3 x 2.0
34.0850.486.S		48.3 x 2.6



Model 0850 Flat End Cap	316's	Outdoor
CODE		Ø
36.0850.422.S		42.4 x 2.0
36.0850.426.S		42.4 x 2.6
36.0850.482.S		48.3 x 2.0
36.0850.486.S		48.3 x 2.6

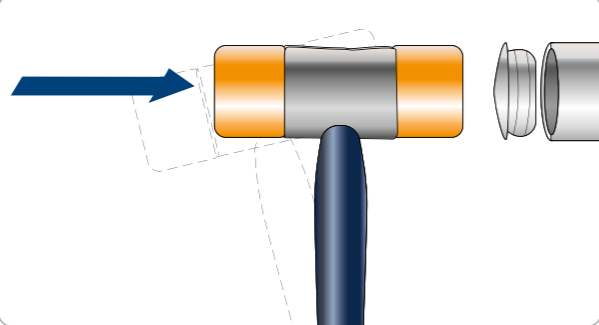


ACCESSORIES



PAGE 131
Stain Remover
500 ml
10.9030.000.A

INFO



ACCESSORIES



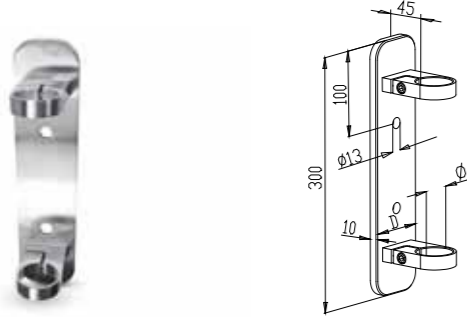
PAGE 131
Glue
50 ml
10.9010.000.A

ACCESSORIES



PAGE 131
Stainless Steel
Cleaner
500 ml
10.9020.000.A

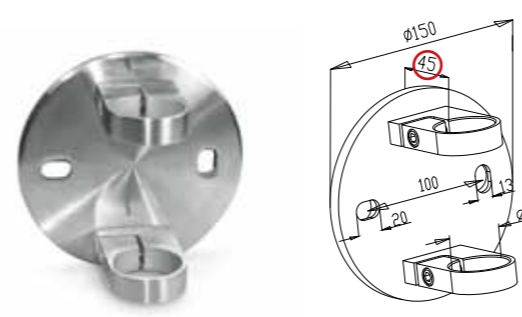
SIDE FIX BRACKETS



► Model 1000 Side Fix Bracket		
CODE	D	∅
34.1000.420.S	70	42.4
34.1000.480.S	70	48.3



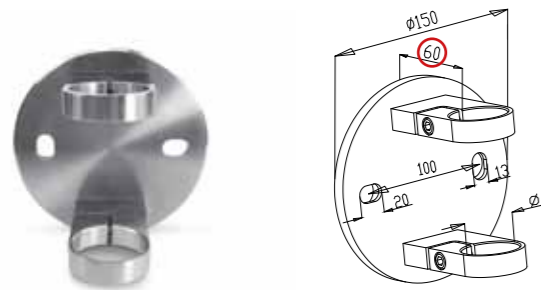
► Model 1000 Side Fix Bracket		
CODE	D	∅
36.1000.420.S	70	42.4
36.1000.480.S	70	48.3



► Model 1010 Side Fix Bracket		
CODE	D	∅
34.1010.420.S		42.4
34.1010.480.S		48.3



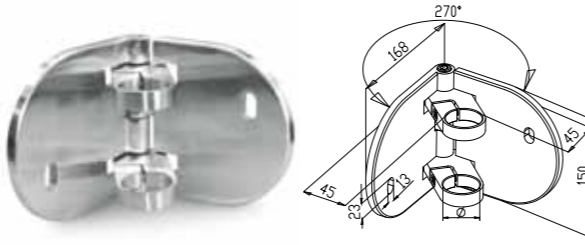
► Model 1010 Side Fix Bracket		
CODE	D	∅
36.1010.420.S		42.4
36.1010.480.S		48.3



► Model 1020 Side Fix Bracket		
CODE	D	∅
34.1020.420.S		42.4
34.1020.480.S		48.3



► Model 1020 Side Fix Bracket		
CODE	D	∅
36.1020.420.S		42.4
36.1020.480.S		48.3



► Model 1030 Corner Bracket		
CODE	D	∅
34.1030.420.S		42.4
34.1030.480.S		48.3



► Model 1030 Corner Bracket		
CODE	D	∅
36.1030.420.S		42.4
36.1030.480.S		48.3



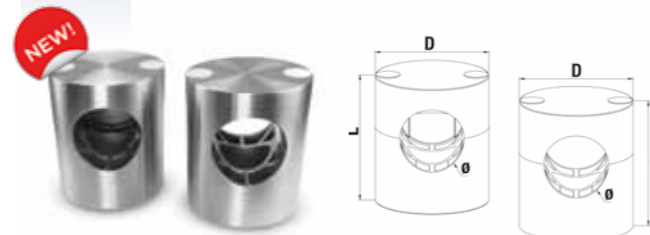
► Model 1040 Cleats		
CODE	∅	L
34.1040.420.S	42.4	50
34.1040.480.S	48.3	55



► Model 1040 Cleats		
CODE	∅	L
36.1040.420.S	42.4	50
36.1040.480.S	48.3	55



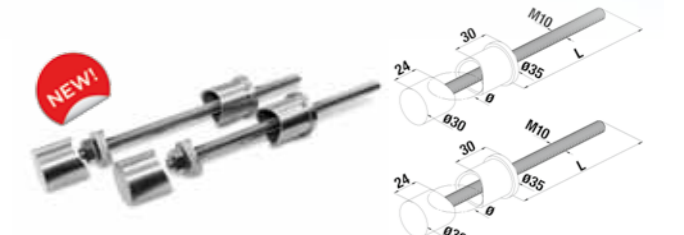
SIDE FIX BRACKETS



► Model 1050 In-Line Brackets			
CODE	D	L	∅
34.1050.420.S	75	85	42.4
34.1050.480.S	80	85	48.3



► Model 1050 In-Line Brackets			
CODE	D	L	∅
36.1050.420.S	75	85	42.4
36.1050.480.S	80	85	48.3



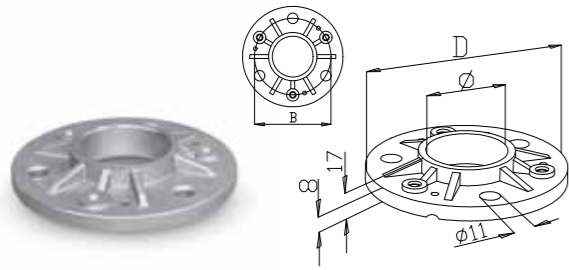
► Model 1060 In-Line Brackets		
CODE	∅	L
34.1060.420.S	42.4	110
34.1060.480.S	48.3	105



► Model 1060 In-Line Brackets		
CODE	∅	L
36.1060.420.S	42.4	110
36.1060.480.S	48.3	105



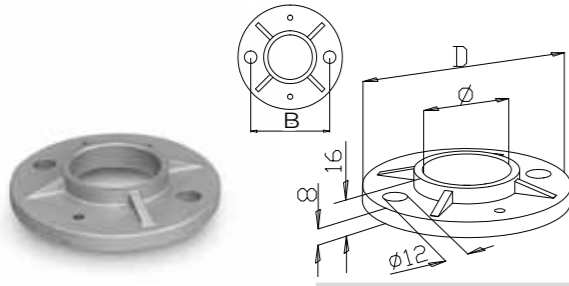
WELDED BASES/COVERS



► Model 1100 3 Hole Base			
CODE	D	B	Ø
34.1100.420.R	105	80	42.4
34.1100.480.R	115	90	48.3



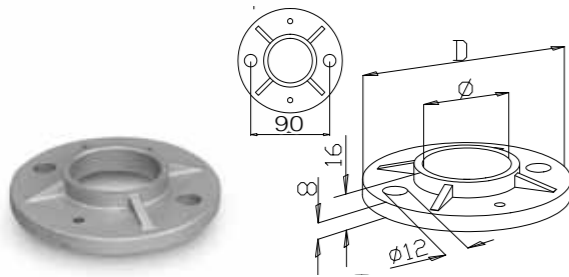
► Model 1100 3 Hole Base			
CODE	D	B	Ø
36.1100.420.R	105	80	42.4
36.1100.480.R	115	90	48.3



► Model 1110 2 Hole Base			
CODE	D	B	Ø
34.1110.420.R	100	75	42.4
34.1110.480.R	100	85	48.3



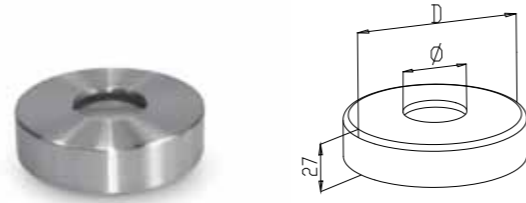
► Model 1110 2 Hole Base			
CODE	D	B	Ø
36.1110.420.R	100	75	42.4
36.1110.480.R	100	85	48.3



► Model 1120 2 Hole Base			
CODE	D	Ø	
34.1120.420.R	120	42.4	
34.1120.480.R	120	48.3	

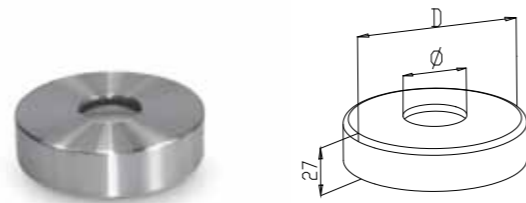


► Model 1120 2 Hole Base			
CODE	D	Ø	
36.1120.420.R	120	42.4	
36.1120.480.R	120	48.3	



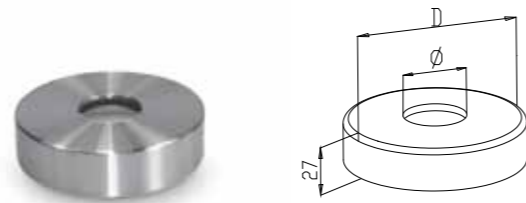
► Model 1101 Base Cover			
CODE	D	Ø	
34.1101.420.S	110	42.4	
34.1101.480.S	120	48.3	

► Model 1101 Base Cover			
CODE	D	Ø	
36.1101.420.S	110	42.4	
36.1101.480.S	120	48.3	



► Model 1111 Base Cover			
CODE	D	Ø	
34.1111.420.S	105	42.4	
34.1111.480.S	105	48.3	

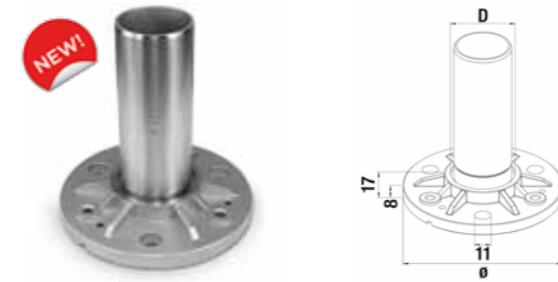
► Model 1111 Base Cover			
CODE	D	Ø	
36.1111.420.S	105	42.4	
36.1111.480.S	105	48.3	



► Model 1121 Base Cover			
CODE	D	Ø	
34.1121.420.S	125	42.4	
34.1121.480.S	125	48.3	

► Model 1121 Base Cover			
CODE	D	Ø	
36.1121.420.S	125	42.4	
36.1121.480.S	125	48.3	

WELDED/GLUED BASES



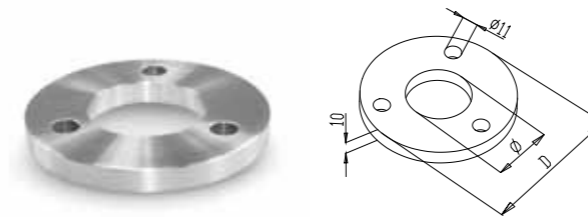
► Model 1105 Glue In Base			
CODE	D	Ø	
34.1105.422.R	42.4 x 2.0	105	
34.1105.426.R	42.4 x 2.6	105	
34.1105.482.R	48.3 x 2.0	115	
34.1105.486.R	48.3 x 2.6	115	

USE MODEL 1101 BASE COVERS

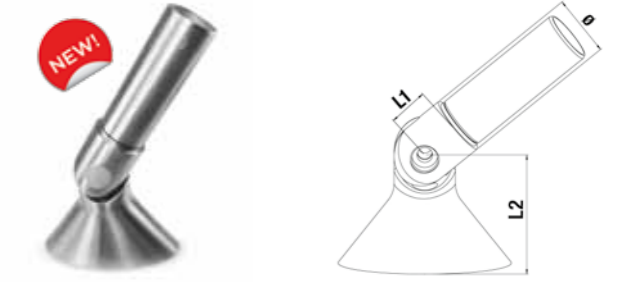


► Model 1105 Glue In Base			
CODE	D	Ø	
36.1105.422.R	42.4 x 2.0	105	
36.1105.426.R	42.4 x 2.6	105	
36.1105.482.R	48.3 x 2.0	115	
36.1105.486.R	48.3 x 2.6	115	

USE MODEL 1101 BASE COVERS



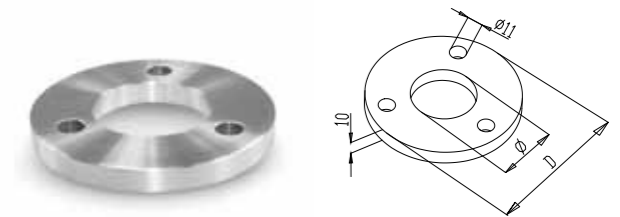
► Model 1200 Weldable Base			
CODE	D	Ø	
34.1200.420.S	100	42.4	
34.1200.480.S	100	48.3	



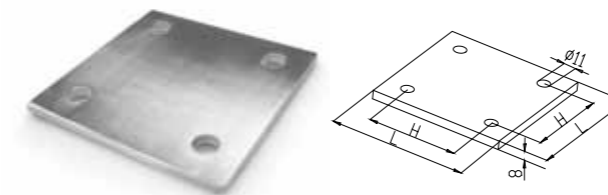
► Model 1150 Adj Base			
CODE	Ø	L1	L2
34.1150.426.S	42.4 x 2.6	30	80
34.1150.486.S	48.3 x 2.6	35	84



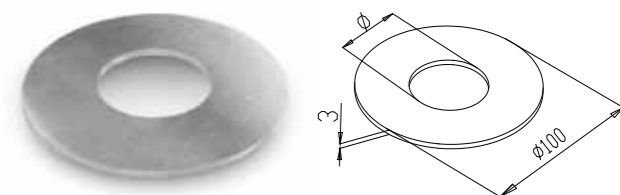
► Model 1150 Adj Base			
CODE	Ø	L1	L2
36.1150.426.S	42.4 x 2.6	30	80
36.1150.486.S	48.3 x 2.6	35	84



► Model 1210 Weldable Base			
CODE	D	Ø	
34.1210.420.S	120	42.4	
34.1210.480.S	120	48.3	



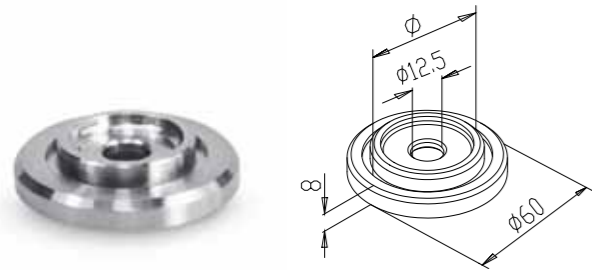
► Model 1250 Square Plate			
CODE	L	H	Ø
34.1250.120.S	120	80	11



► Model 1280 Spigot Cover			
CODE	Ø		
34.1280.420.S	42.4		
34.1280.480.S	48.3		

► Model 1280 Spigot Cover			
CODE	Ø		
36.1280.420.S	42.4		
36.1280.480.S	48.3		

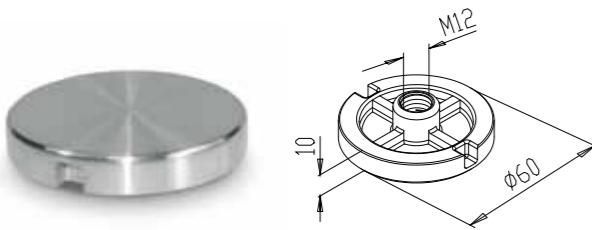
CLAMP FIX BASES/POSTS



► Model 1310 Clamp Fix Top		304	Indoor
CODE		Ø	
34.1310.420.S		42.4	
34.1310.480.S		48.3	



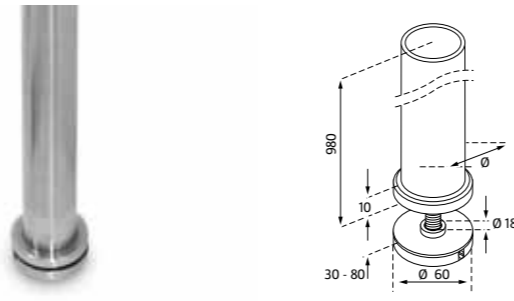
► Model 1310 Clamp Fix Top		316's'	Outdoor
CODE		Ø	
36.1310.420.S		42.4	
36.1310.480.S		48.3	



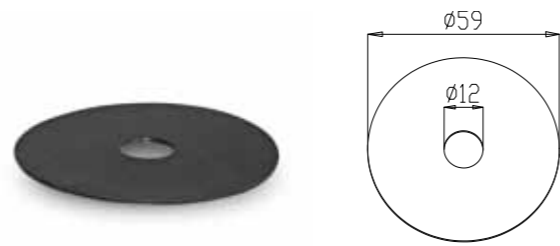
► Model 1320 Clamp Fix Bottom		304	Indoor
CODE		Ø	
34.1320.060.S			



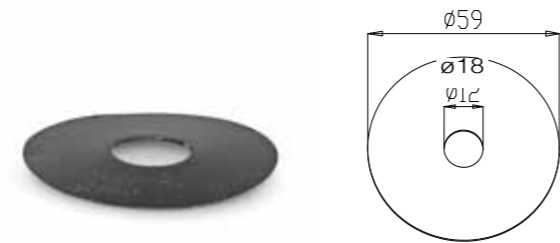
► Model 1320 Clamp Fix Bottom		316's'	Outdoor
CODE		Ø	
36.1320.060.S			



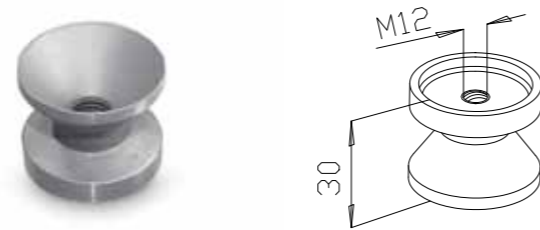
► Model 1710 Clamp Fix Post		304	Indoor
CODE		Ø	
34.1710.426.S		42.4 x 2.6	
34.1710.486.S		48.3 x 2.6	



► Model 1321 Top Washer		304	Indoor
CODE		Ø	
10.1321.059.P			



► Model 1311 Bottom Washer		304	Indoor
CODE		Ø	
10.1311.059.P			



► Model 1300 Threaded Insert		304	Indoor
CODE		Ø	
34.1300.426.R		42.4 x 2.6	
34.1300.486.R		48.3 x 2.6	

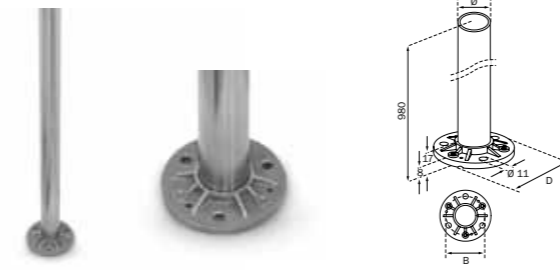


► Model 1300 Threaded Insert		316's'	Outdoor
CODE		Ø	
36.1300.426.R		42.4 x 2.6	
36.1300.486.R		48.3 x 2.6	

INFO

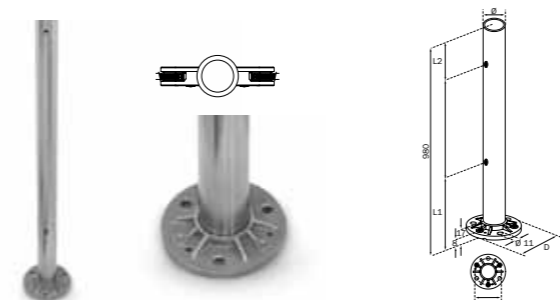


POSTS



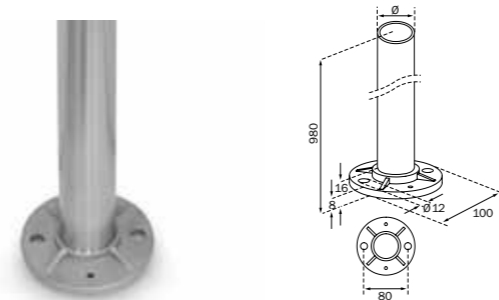
► Model 1510 Post		304	Indoor
CODE	D	Ø	B
34.1510.426.S	105	42.4 x 2.6	80
34.1510.486.S	115	48.3 x 2.6	90

► Model 1510 Post		316	Outdoor
CODE	D	Ø	B
36.1510.426.S	105	42.4 x 2.6	80
36.1510.486.S	115	48.3 x 2.6	90



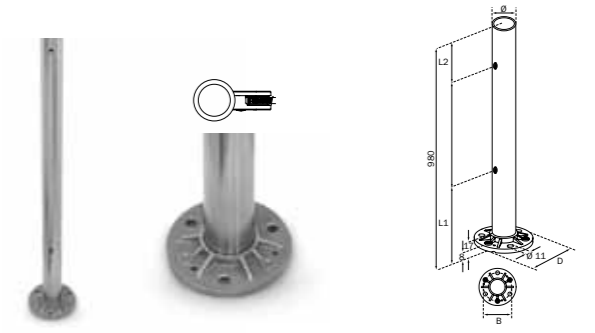
► Model 1620 Mid Post		304	Indoor		
CODE	D	Ø	B	L1	L2
34.1620.426.R	105	42.4 x 2.6	80	195	120
34.1620.486.R	115	48.3 x 2.6	90	195	120

► Model 1620 Mid Post		316	Outdoor		
CODE	D	Ø	B	L1	L2
36.1620.426.S	105	42.4 x 2.6	80	195	120
36.1620.486.S	115	48.3 x 2.6	90	195	120



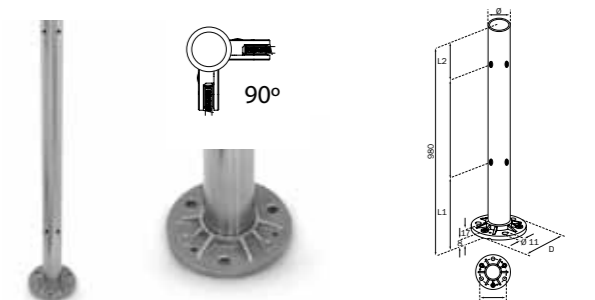
► Model 1520 2 Hole Base		304	Indoor
CODE		Ø	
34.1520.426.S		42.4 x 2.6	
34.1520.486.S		48.3 x 2.6	

► Model 1520 2 Hole Base		316	Outdoor
CODE		Ø	
36.1520.426.S		42.4 x 2.6	
36.1520.486.S		48.3 x 2.6	



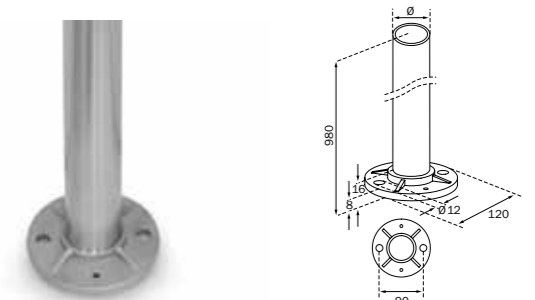
► Model 1610 End Post		304	Indoor		
CODE	D	Ø	B	L1	L2
34.1610.426.R	105	42.4 x 2.6	80	195	120
34.1610.486.R	115	48.3 x 2.6	90	195	120

► Model 1610 End Post		316	Outdoor		
CODE	D	Ø	B	L1	L2
36.1610.426.S	105	42.4 x 2.6	80	195	120
36.1610.486.S	115	48.3 x 2.6	90	195	120



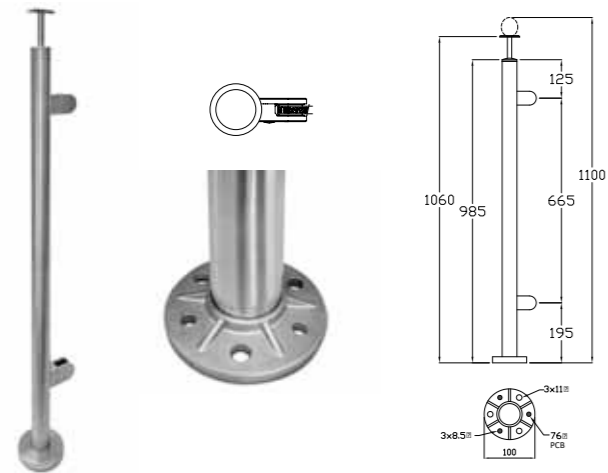
► Model 1630 Corner Post		304	Indoor		
CODE	D	Ø	B	L1	L2
34.1630.426.R	105	42.4 x 2.6	80	195	120
34.1630.486.R	115	48.3 x 2.6	90	195	120

► Model 1630 Corner Post		316	Outdoor		
CODE	D	Ø	B	L1	L2
36.1630.426.S	105	42.4 x 2.6	80	195	120
36.1630.486.S	115	48.3 x 2.6	90	195	120

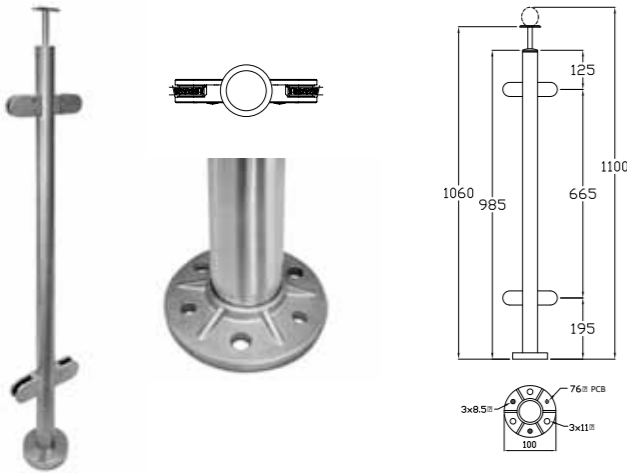


► Model 1530 2 Hole Base		304	Indoor
CODE		Ø	
34.1530.426.S		42.4 x 2.6	
34.1530.486.S		48.3 x 2.6	

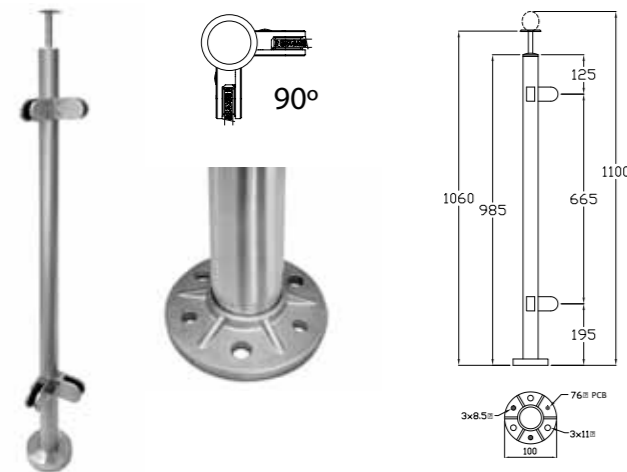
► Model 1530 2 Hole Base		316	Outdoor
CODE		Ø	
36.1530.426.S		42.4 x 2.6	
36.1530.486.S		48.3 x 2.6	



End Post	316	Outdoor
CODE	Ø	☐
Pre-Assembled End Post	42.4 x 2.0	1



Mid Post	316	Outdoor
CODE	Ø	☐
Pre-Assembled Mid Post	42.4 x 2.0	1



Corner Post	316	Outdoor
CODE	Ø	☐
Pre-Assembled Corner Post	42.4 x 2.0	1



Pre-Assembled Posts Are Now Here

Quick, Easy, Convenient, Affordable



These new posts use substituted products away from the Fastec range.

Ready to go posts inc:

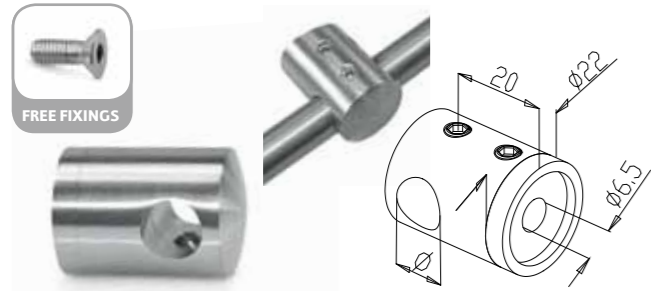
- > **Welded base**
- > **Base Cover**
- > **Glass Clamps**
- > **Stem Connector (Supplied Loose)**

Reduce Manufacture time + Speed up installation time

For the ease of installation Fastec now offers an alternative range of **Pre-Assembled** Balustrade Posts saving time and costs by allowing the installer to focus on the installation rather than the manufacture.

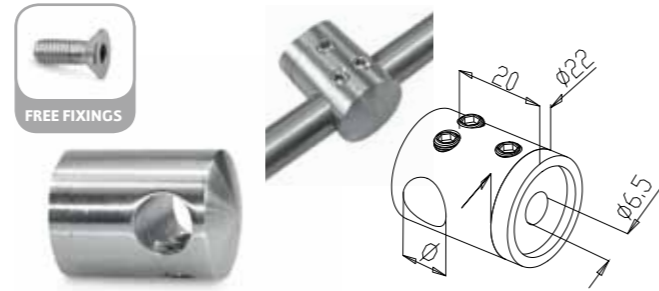
work faster,
work smarter,
work Fastec

CROSSBAR HOLDERS



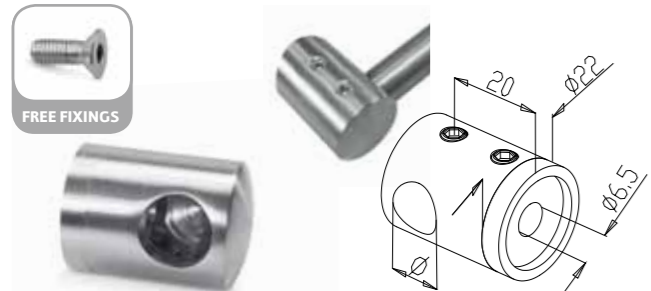
► Model 2010/2012 Mid Crossbar			
	304	Indoor	
CODE	Ø	BOLT	
34.2010.000.S	10	FF-15	
34.2012.000.S	12	FF-15	

► Model 2012 Mid Crossbar			
	316	Outdoor	
CODE	Ø	BOLT	
36.2012.000.S	12	FF-16	



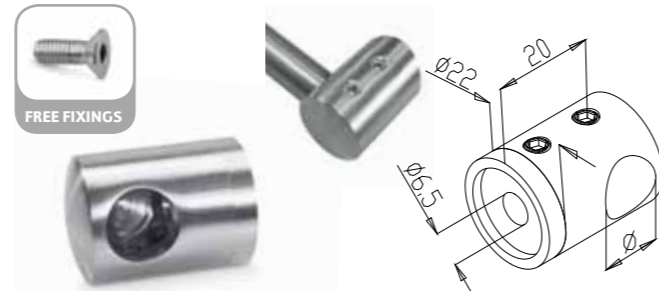
► Model 2110/2112 Connector Crossbar			
	304	Indoor	
CODE	Ø	BOLT	
34.2110.000.S	10	FF-15	
34.2112.000.S	12	FF-15	

► Model 2012 Connector Crossbar			
	316	Outdoor	
CODE	Ø	BOLT	
36.2112.000.S	12	FF-16	



► Model 2212 End Crossbar			
	304	Indoor	
CODE	Ø	BOLT	
34.2212.000.S	12	FF-15	

► Model 2212 End Crossbar			
	316	Outdoor	
CODE	Ø	BOLT	
36.2212.000.S	12	FF-16	



► Model 2312 End Crossbar			
	304	Indoor	
CODE	Ø	BOLT	
34.2312.000.S	12	FF-15	

► Model 2312 End Crossbar			
	316	Outdoor	
CODE	Ø	BOLT	
36.2312.000.S	12	FF-16	



► Model 2010/2012 Mid Crossbar			
	304	Indoor	
CODE	D	Ø	BOLT
34.2010.420.S	42.4	10	FF-15
34.2012.420.S	42.4	12	FF-15
34.2012.480.S	48.3	12	FF-15

► Model 2010/2012 Mid Crossbar			
	316	Outdoor	
CODE	D	Ø	BOLT
36.2012.420.S	42.4	12	FF-16
36.2012.480.S	48.3	12	FF-16



► Model 2110/2112 Connector			
	304	Indoor	
CODE	D	Ø	BOLT
34.2110.420.S	42.4	10	FF-15
34.2112.420.S	42.4	12	FF-15
34.2112.480.S	48.3	12	FF-15

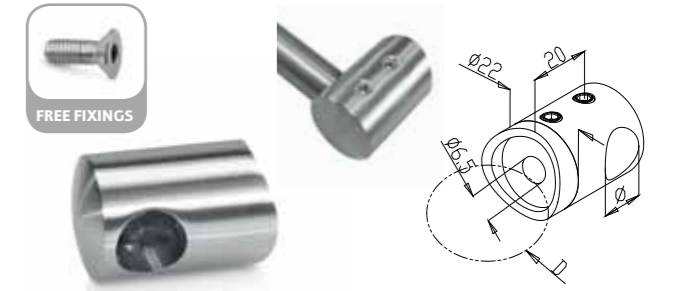
► Model 2110/2112 Connector			
	316	Outdoor	
CODE	D	Ø	BOLT
36.2112.420.S	42.4	12	FF-16
36.2112.480.S	48.3	12	FF-16

CROSSBAR HOLDERS



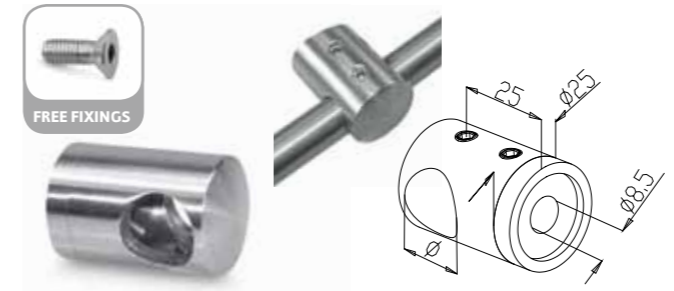
► Model 2212 End Crossbar			
	304	Indoor	
CODE	D	Ø	BOLT
34.2212.420.S	42.4	12	FF-15
34.2212.480.S	48.3	12	FF-15

► Model 2212 End Crossbar			
	316	Outdoor	
CODE	D	Ø	BOLT
36.2212.420.S	42.4	12	FF-16
36.2212.480.S	48.3	12	FF-16



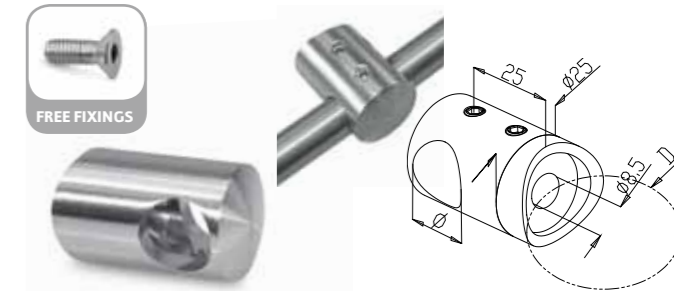
► Model 2312 End Crossbar			
	304	Indoor	
CODE	D	Ø	BOLT
34.2312.420.S	42.4	12	FF-15
34.2312.480.S	48.3	12	FF-15

► Model 2212 End Crossbar			
	316	Outdoor	
CODE	D	Ø	BOLT
36.2312.420.S	42.4	12	FF-16
36.2312.480.S	48.3	12	FF-16



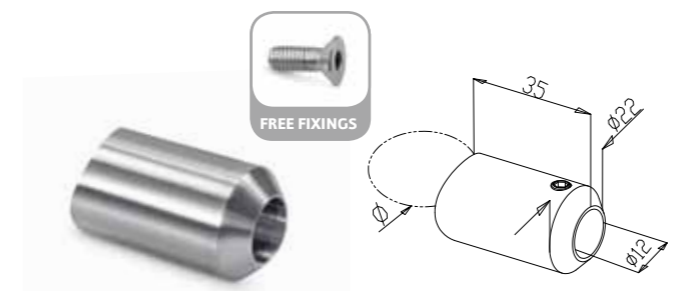
► Model 2416 Mid Crossbar			
	304	Indoor	
CODE	Ø	BOLT	
34.2416.000.S	16	FF-15	

► Model 2416 Mid Crossbar			
	316	Outdoor	
CODE	Ø	BOLT	
36.2416.000.S	16	FF-16	

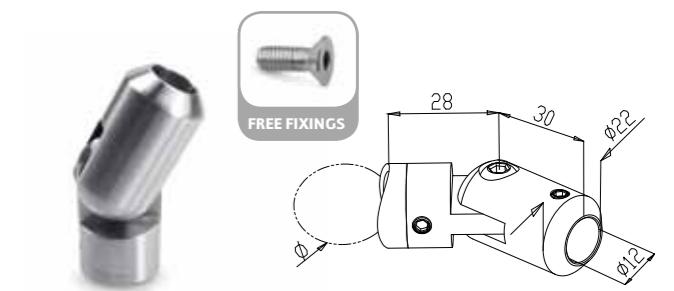


► Model 2416 Mid Crossbar			
	304	Indoor	
CODE	D	Ø	BOLT
34.2416.420.S	42.4	16	FF-19
34.2416.480.S	48.3	16	FF-19

► Model 2416 Mid Crossbar			
	316	Outdoor	
CODE	D	Ø	BOLT
36.2416.420.S	42.4	16	FF-20
36.2416.480.S	48.3	16	FF-20



► Model 2812 In-line Crossbar			
	304	Indoor	
CODE	Ø	BOLT	
34.2812.420.S	42.4	FF-15	
34.2812.480.S	48.3	FF-15	

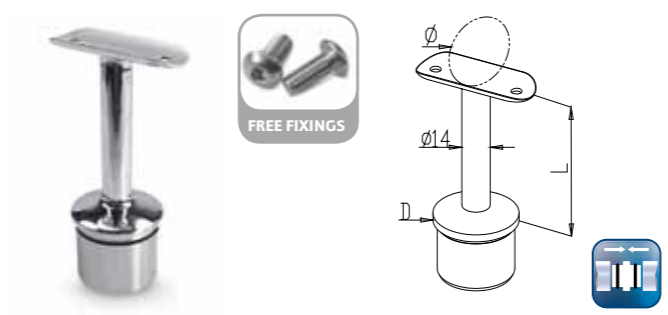


► Model 2912 Adj In-line Crossbar			
	304	Indoor	
CODE	Ø	BOLT	
34.2912.420.S	42.4	FF-15	
34.2912.480.S	48.3	FF-15	



MIRROR POLISHED

MIRROR POLISHED

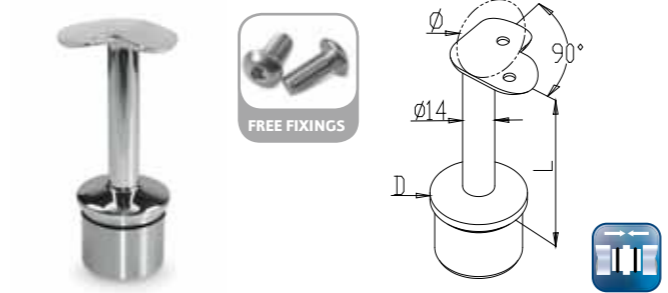


► **Model 0110 Stem** **304** **Indoor**

CODE	D	L	Ø	BOLT
34.0110.426.M	42.4 x 2.6	80	42.4	FF-10
34.0110.486.M	48.3 x 2.6	80	48.3	FF-10

► **Model 0110 Stem** **316's'** **Outdoor**

CODE	D	L	Ø	BOLT
36.0110.426.M	42.4 x 2.6	80	42.4	FF-11
36.0110.486.M	48.3 x 2.6	80	48.3	FF-11



► **Model 0130 90° Stem** **304** **Indoor**

CODE	D	L	Ø	BOLT
34.0130.426.M	42.4 x 2.6	80	42.4	FF-10
34.0130.486.M	48.3 x 2.6	80	48.3	FF-10

► **Model 0130 90° Stem** **316's'** **Outdoor**

CODE	D	L	Ø	BOLT
36.0130.426.M	42.4 x 2.6	80	42.4	FF-11
36.0130.486.M	48.3 x 2.6	80	48.3	FF-11

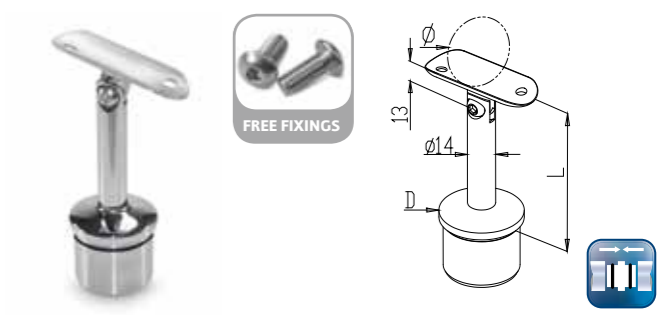


► **Model 0440 Handrail Bracket** **304** **Indoor**

CODE	Ø	BOLT
34.0440.420.M	42.4	FF-10
34.0440.480.M	48.3	FF-10

► **Model 0440 Handrail Bracket** **316's'** **Outdoor**

CODE	Ø	BOLT
36.0440.420.M	42.4	FF-11
36.0440.480.M	48.3	FF-11

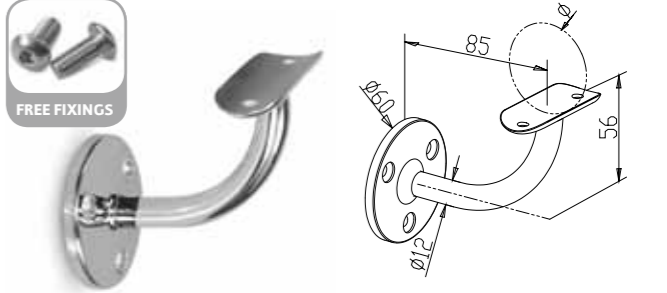


► **Model 0115 Adj Stem** **304** **Indoor**

CODE	D	L	Ø	BOLT
34.0115.426.M	42.4 x 2.6	80	42.4	FF-10
34.0115.486.M	48.3 x 2.6	80	48.3	FF-10

► **Model 0115 Adj Stem** **316's'** **Outdoor**

CODE	D	L	Ø	BOLT
36.0115.426.M	42.4 x 2.6	80	42.4	FF-11
36.0115.486.M	48.3 x 2.6	80	48.3	FF-11



► **Model 0521 Handrail Bracket** **304** **Indoor**

CODE	Ø	BOLT
34.0521.420.M	42.4	FF-10
34.0521.480.M	48.3	FF-10

► **Model 0521 Handrail Bracket** **316's'** **Outdoor**

CODE	Ø	BOLT
36.0521.420.M	42.4	FF-11
36.0521.480.M	48.3	FF-11



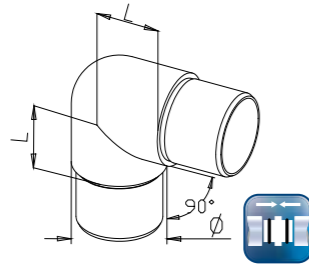
► **Model 0445 Adj Handrail Bracket** **304** **Indoor**

CODE	Ø	BOLT
34.0445.420.M	42.4	FF-10
34.0445.480.M	48.3	FF-10

► **Model 0445 Adj Handrail Bracket** **316's'** **Outdoor**

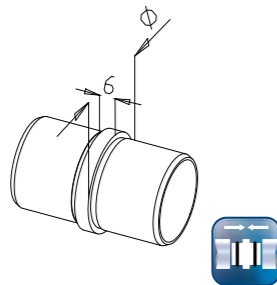
CODE	Ø	BOLT
36.0445.420.M	42.4	FF-11
36.0445.480.M	48.3	FF-11

MIRROR POLISHED



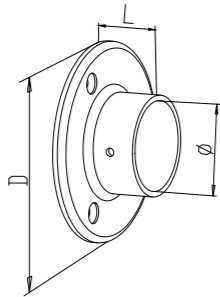
► Model 0610 90° Elbow			304	Indoor
CODE	L	Ø		
34.0610.426.M	30	42.4 x 2.6		
34.0610.486.M	35	48.3 x 2.6		

► Model 0610 90° Elbow			316's	Outdoor
CODE	L	Ø		
36.0610.426.M	30	42.4 x 2.6		
36.0610.486.M	35	48.3 x 2.6		



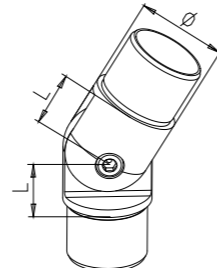
► Model 0720 Connector			304	Indoor
CODE	Ø			
34.0720.426.M	42.4 x 2.6			
34.0720.486.M	48.3 x 2.6			

► Model 0720 Connector			316's	Outdoor
CODE	Ø			
36.0720.426.M	42.4 x 2.6			
36.0720.486.M	48.3 x 2.6			



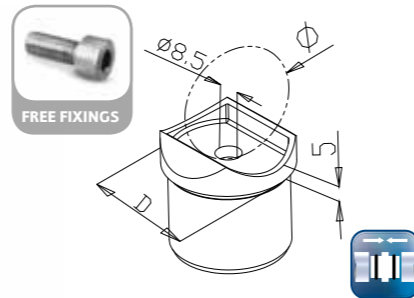
► Model 0740 Wall Flange					304	Indoor
CODE	D	L	Ø	BOLT		
34.0740.420.M	95	30	42.4	FF-6		
34.0740.480.M	100	35	48.3	FF-6		

► Model 0740 Wall Flange					316's	Outdoor
CODE	D	L	Ø	BOLT		
36.0740.420.M	95	30	42.4	FF-7		
36.0740.480.M	100	35	48.3	FF-7		



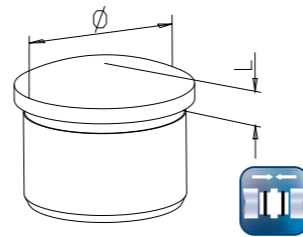
► Model 0640 Adj Elbow			304	Indoor
CODE	L	Ø		
34.0640.426.M	27	42.4 x 2.6		
34.0640.486.M	30	48.3 x 2.6		

► Model 0640 Adj Elbow			316's	Outdoor
CODE	L	Ø		
36.0640.426.M	27	42.4 x 2.6		
36.0640.486.M	30	48.3 x 2.6		



► Model 0731 Adaptor				304	Indoor
CODE	D	Ø	BOLT		
34.0731.426.M	42.4 x 2.6	42.4	FF-45		
34.0731.486.M	48.3 x 2.6	48.3	FF-45		

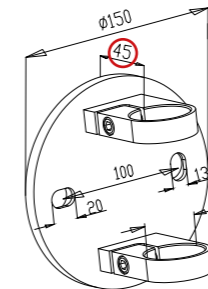
► Model 0731 Adaptor				316's	Outdoor
CODE	D	Ø	BOLT		
36.0731.426.M	42.4 x 2.6	42.4	FF-46		
36.0731.486.M	48.3 x 2.6	48.3	FF-46		



► Model 0860 Raised End Cap			304	Indoor
CODE	L	Ø		
34.0860.426.M	9	42.4 x 2.6		
34.0860.486.M	10	48.3 x 2.6		

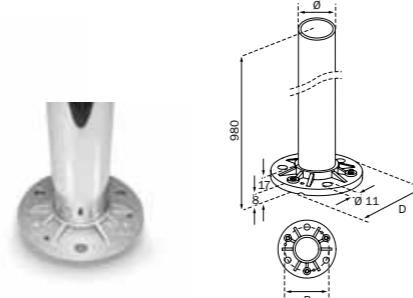
► Model 0860 Raised End Cap			316's	Outdoor
CODE	L	Ø		
36.0860.426.M	9	42.4 x 2.6		
36.0860.486.M	10	48.3 x 2.6		

MIRROR POLISHED



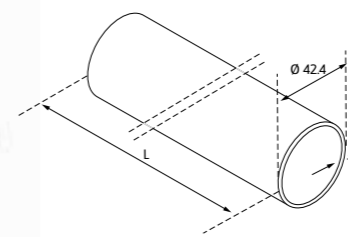
► Model 1010 Side Fix Bracket			304	Indoor
CODE	Ø			
34.1010.420.M	42.4			
34.1010.480.M	48.3			

► Model 1010 Side Fix Bracket			316's	Outdoor
CODE	Ø			
36.1010.420.M	42.4			
36.1010.480.M	48.3			



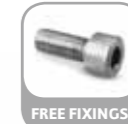
► Model 1510 Post				304	Indoor
CODE	D	Ø	B		
34.1510.426.M	105	42.4 x 2.6	80		
34.1510.486.M	115	48.3 x 2.6	90		

► Model 1510 Post				316	Outdoor
CODE	D	Ø	B		
36.1510.426.M	105	42.4 x 2.6	80		
36.1510.486.M	115	48.3 x 2.6	90		



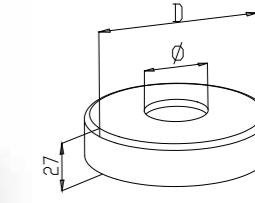
► Ø 42.4mm Tube			304	Indoor
CODE	L	T(MM)		
34.1900.426.M	6000 mm	2.6		
34.1910.426.M	3000 mm	2.6		

► Ø 42.4mm Tube			316	Outdoor
CODE	L	T(MM)		
36.1900.426.M	6000 mm	2.6		
36.1910.426.M	3000 mm	2.6		



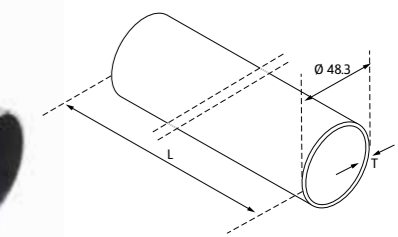
► Model 32 Glass Clamps			304	Indoor
SEE PAGE 101 FOR DETAILS				

► Model 32			316's	Outdoor
SEE PAGE 101 FOR DETAILS				



► Model 1101 Base Cover			304	Indoor
CODE	D	Ø		
34.1101.420.M	110	42.4		
34.1101.480.M	120	48.3		

► Model 1101 Base Cover			316	Outdoor
CODE	D	Ø		
36.1101.420.M	110	42.4		
36.1101.480.M	120	48.3		



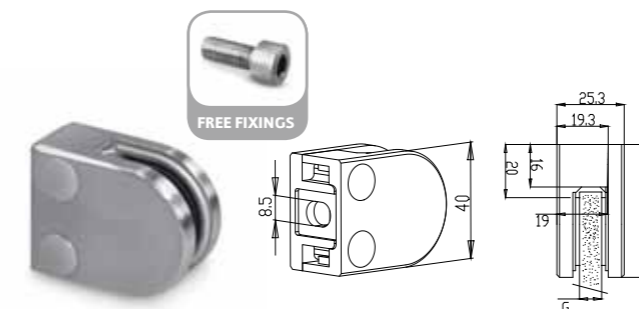
► Ø 48.3mm Tube			304	Indoor
CODE	L	T(MM)		
34.1900.486.M	6000 mm	2.6		
34.1910.486.M	3000 mm	2.6		

► Ø 48.3mm Tube			316	Outdoor
CODE	L	T(MM)		
36.1900.486.M	6000 mm	2.6		
36.1910.486.M	3000 mm	2.6		

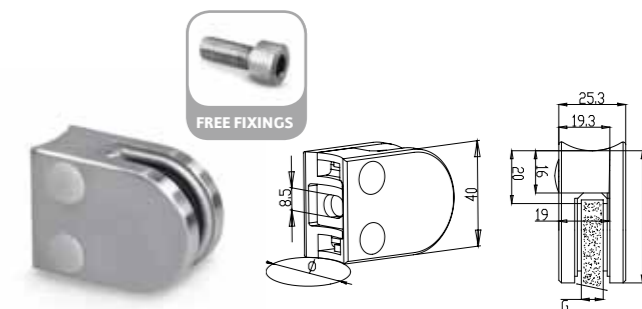


GLASS CLAMPS

GLASS CLAMPS STAINLESS/ZINTEC



► Model 30 Flat Glass Clamp			304	Indoor
CODE	G (MM)	BOLT		
34.3006.000.S	6	FF-45		
34.3008.000.S	8	FF-45		



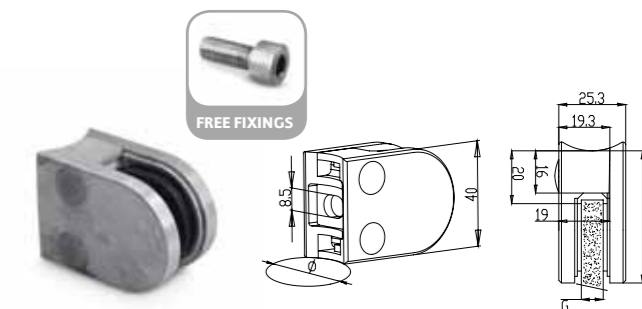
► Model 30 Radiused Glass Clamp				304	Indoor
CODE	Ø	G (MM)	BOLT		
34.3006.420.S	42.4	6	FF-45		
34.3008.420.S	42.4	8	FF-45		

► Model 30 Flat Glass Clamp			316's'	Outdoor
CODE	G (MM)	BOLT		
36.3006.000.S	6	FF-46		
36.3008.000.S	8	FF-46		

► Model 30 Radiused Glass Clamp				316's'	Outdoor
CODE	Ø	G (MM)	BOLT		
36.3006.420.S	42.4	6	FF-46		
36.3008.420.S	42.4	8	FF-46		



► Model 30 Flat Glass Clamp			ZINTEC	Indoor
CODE	G (MM)	BOLT		
20.3006.000.R	6	FF-47		
20.3008.000.R	8	FF-47		
20.3006.000.S	6	FF-47		
20.3008.000.S	8	FF-47		



► Model 30 Radiused Glass Clamp				ZINTEC	Indoor
CODE	Ø	G (MM)	BOLT		
20.3006.420.R	42.4	6	FF-47		
20.3008.420.R	42.4	8	FF-47		
20.3006.420.S	42.4	6	FF-47		
20.3008.420.S	42.4	8	FF-47		

INFO

ZINTEC Finishes

R = Raw Finish

S = Satin Effect

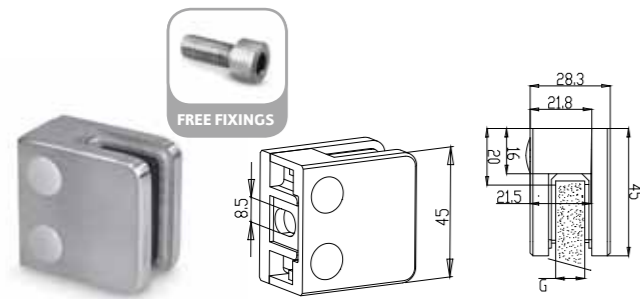


ACCESSORIES



PAGE 131
Glass Cleaner
500 ml
10.9020.000.A

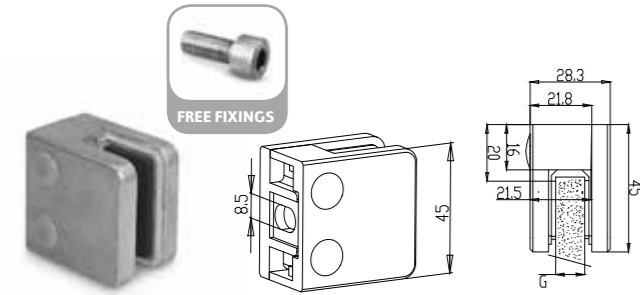
GLASS CLAMPS STAINLESS/ZINTEC



► Model 31 Flat Glass Clamp			304	Indoor
CODE	G (MM)	BOLT		
34.3106.000.S	6	FF-45		
34.3108.000.S	8	FF-45		
34.3110.000.S	10	FF-45		
34.3109.000.S	8.76	FF-45		
34.3144.000.S	9.52	FF-45		

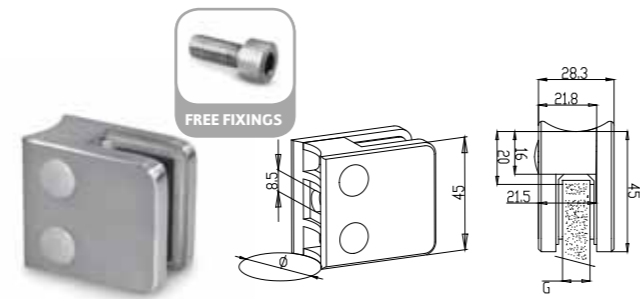


► Model 31 Flat Glass Clamp			316's	Outdoor
CODE	G (MM)	BOLT		
36.3106.000.S	6	FF-46		
36.3108.000.S	8	FF-46		
36.3110.000.S	10	FF-46		
36.3109.000.S	8.76	FF-46		
36.3144.000.S	9.52	FF-46		



► Model 31 Flat Glass Clamp			ZINTEC	Indoor
CODE	G (MM)	BOLT		
20.3106.000.R	6	FF-47		
20.3108.000.R	8	FF-47		
20.3110.000.R	10	FF-47		

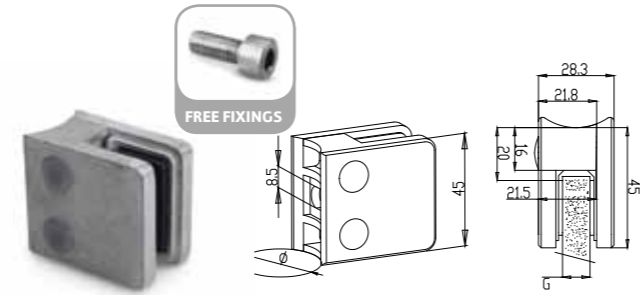
20.3106.000.S	6	FF-47		
20.3108.000.S	8	FF-47		
20.3110.000.S	10	FF-47		



► Model 31 Radiused Glass Clamp				304	Indoor
CODE	Ø	G (MM)	BOLT		
34.3106.420.S	42.4	6	FF-45		
34.3108.420.S	42.4	8	FF-45		
34.3110.420.S	42.4	10	FF-45		
34.3109.420.S	42.4	8.76	FF-45		
34.3144.420.S	42.4	9.52	FF-45		



► Model 31 Radiused Glass Clamp				316's	Outdoor
CODE	Ø	G (MM)	BOLT		
36.3106.420.S	42.4	6	FF-46		
36.3108.420.S	42.4	8	FF-46		
36.3110.420.S	42.4	10	FF-46		
36.3109.420.S	42.4	8.76	FF-46		
36.3144.420.S	42.4	9.52	FF-46		



► Model 31 Radiused Glass Clamp				ZINTEC	Indoor
CODE	Ø	G (MM)	BOLT		
20.3106.420.R	42.4	6	FF-47		
20.3108.420.R	42.4	8	FF-47		
20.3110.420.R	42.4	10	FF-47		

20.3106.420.S	42.4	6	FF-47		
20.3108.420.S	42.4	8	FF-47		
20.3110.420.S	42.4	10	FF-47		

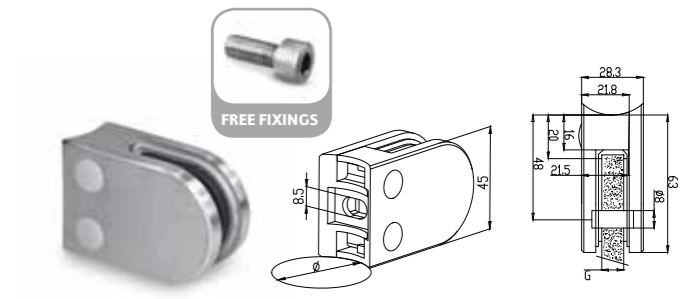
GLASS CLAMPS STAINLESS



► Model 32 Flat Glass Clamp			304	Indoor
CODE	G (MM)	BOLT		
34.3206.000.S	6	FF-45		
34.3208.000.S	8	FF-45		
34.3210.000.S	10	FF-45		
34.3212.000.S	12	FF-45		
34.3209.000.S	8.76	FF-45		
34.3244.000.S	9.52	FF-45		
34.3211.000.S	10.76	FF-45		
34.3254.000.S	11.52	FF-45		
34.3213.000.S	12.76	FF-45		



► Model 32 Flat Glass Clamp			316's	Outdoor
CODE	G (MM)	BOLT		
36.3206.000.S	6	FF-46		
36.3208.000.S	8	FF-46		
36.3210.000.S	10	FF-46		
36.3212.000.S	12	FF-46		
36.3209.000.S	8.76	FF-46		
36.3244.000.S	9.52	FF-46		
36.3211.000.S	10.76	FF-46		
36.3254.000.S	11.52	FF-46		
36.3213.000.S	12.76	FF-46		



► Model 32 Radiused Glass Clamp				304	Indoor
CODE	Ø	G (MM)	BOLT		
34.3206.420.S	42.4	6	FF-45		
34.3208.420.S	42.4	8	FF-45		
34.3210.420.S	42.4	10	FF-45		
34.3212.420.S	42.4	12	FF-45		
34.3209.420.S	42.4	8.76	FF-45		
34.3244.420.S	42.4	9.52	FF-45		
34.3211.420.S	42.4	10.76	FF-45		
34.3254.420.S	42.4	11.52	FF-45		
34.3213.420.S	42.4	12.76	FF-45		

34.3206.480.S	48.3	6	FF-45		
34.3208.480.S	48.3	8	FF-45		
34.3210.480.S	48.3	10	FF-45		
34.3212.480.S	48.3	12	FF-45		
34.3209.480.S	48.3	8.76	FF-45		
34.3244.480.S	48.3	9.52	FF-45		
34.3211.480.S	48.3	10.76	FF-45		
34.3254.480.S	48.3	11.52	FF-45		
34.3213.480.S	48.3	12.76	FF-45		



► Model 32 Radiused Glass Clamp				316's	Outdoor
CODE	Ø	G (MM)	BOLT		
36.3206.420.S	42.4	6	FF-46		
36.3208.420.S	42.4	8	FF-46		
36.3210.420.S	42.4	10	FF-46		
36.3212.420.S	42.4	12	FF-46		
36.3209.420.S	42.4	8.76	FF-46		
36.3244.420.S	42.4	9.52	FF-46		
36.3211.420.S	42.4	10.76	FF-46		
36.3254.420.S	42.4	11.52	FF-46		
36.3213.420.S	42.4	12.76	FF-46		

36.3206.480.S	48.3	6	FF-46		
36.3208.480.S	48.3	8	FF-46		
36.3210.480.S	48.3	10	FF-46		
36.3212.480.S	48.3	12	FF-46		
36.3209.480.S	48.3	8.76	FF-46		
36.3244.480.S	48.3	9.52	FF-46		
36.3211.480.S	48.3	10.76	FF-46		
36.3254.480.S	48.3	11.52	FF-46		
36.3213.480.S	48.3	12.76	FF-46		

INFO



GLASS CLAMPS ZINTEC



► **Model 32 Flat Glass Clamp** ZINTEC Indoor

CODE	G (MM)	BOLT
20.3206.000.R	6	FF-47
20.3208.000.R	8	FF-47
20.3210.000.R	10	FF-47
20.3206.000.S	6	FF-47
20.3208.000.S	8	FF-47
20.3210.000.S	10	FF-47



► **Model 32 Radiused Glass Clamp** ZINTEC Indoor

CODE	Ø	G (MM)	BOLT
20.3206.420.R	42.4	6	FF-47
20.3208.420.R	42.4	8	FF-47
20.3210.420.R	42.4	10	FF-47
20.3206.480.R	48.3	6	FF-47
20.3208.480.R	48.3	8	FF-47
20.3210.480.R	48.3	10	FF-47
20.3206.420.S	42.4	6	FF-47
20.3208.420.S	42.4	8	FF-47
20.3210.420.S	42.4	10	FF-47
20.3206.480.S	48.3	6	FF-47
20.3208.480.S	48.3	8	FF-47
20.3210.480.S	48.3	10	FF-47

GLASS CLAMPS STAINLESS/MIRROR POLISHED



► **Model 32 Flat - Mirror** 304 Indoor

CODE	G (MM)	BOLT
34.3206.000.M	6	FF-45
34.3208.000.M	8	FF-45
34.3210.000.M	10	FF-45
34.3212.000.M	12	FF-45
34.3209.000.M	8.76	FF-45
34.3244.000.M	9.52	FF-45
34.3211.000.M	10.76	FF-45
34.3254.000.M	11.52	FF-45
34.3213.000.M	12.76	FF-45

► **Model 31 Flat - Mirror** 316's Outdoor

CODE	G (MM)	BOLT
36.3206.000.M	6	FF-46
36.3208.000.M	8	FF-46
36.3210.000.M	10	FF-46
36.3212.000.M	12	FF-45
36.3209.000.M	8.76	FF-46
36.3244.000.M	9.52	FF-45
36.3211.000.M	10.76	FF-45
36.3254.000.M	11.52	FF-45
36.3213.000.M	12.76	FF-46



► **Model 32 Radiused - Mirror** 304 Indoor

CODE	Ø	G (MM)	BOLT
34.3206.420.M	42.4	6	FF-45
34.3208.420.M	42.4	8	FF-45
34.3210.420.M	42.4	10	FF-45
34.3212.420.M	42.4	12	FF-45
34.3209.420.M	42.4	8.76	FF-45
34.3244.420.M	42.4	9.52	FF-45
34.3211.420.M	42.4	10.76	FF-45
34.3254.420.M	42.4	11.52	FF-45
34.3213.420.M	42.4	12.76	FF-45

34.3206.480.M	48.3	6	FF-45
34.3208.480.M	48.3	8	FF-45
34.3210.480.M	48.3	10	FF-45
34.3212.480.M	48.3	12	FF-45
34.3209.480.M	48.3	8.76	FF-45
34.3244.480.M	48.3	9.52	FF-45
34.3211.480.M	48.3	10.76	FF-45
34.3254.480.M	48.3	11.52	FF-45
34.3213.480.M	48.3	12.76	FF-45

► **Model 32 Radiused - Mirror** 316's Outdoor

CODE	Ø	G (MM)	BOLT
36.3206.420.M	42.4	6	FF-46
36.3208.420.M	42.4	8	FF-46
36.3210.420.M	42.4	10	FF-46
36.3212.420.M	42.4	12	FF-46
36.3209.420.M	42.4	8.76	FF-46
36.3244.420.M	42.4	9.52	FF-46
36.3211.420.M	42.4	10.76	FF-46
36.3254.420.M	42.4	11.52	FF-46
36.3213.420.M	42.4	12.76	FF-46

36.3206.480.M	48.3	6	FF-46
36.3208.480.M	48.3	8	FF-46
36.3210.480.M	48.3	10	FF-46
36.3212.480.M	48.3	12	FF-46
36.3209.480.M	48.3	8.76	FF-46
36.3244.480.M	48.3	9.52	FF-46
36.3211.480.M	48.3	10.76	FF-46
36.3254.480.M	48.3	11.52	FF-46
36.3213.480.M	48.3	12.76	FF-46

PLEASE NOTE: Pins **MUST** be used in all side fix installations

INFO

ZINTEC Finishes

R = Raw Finish

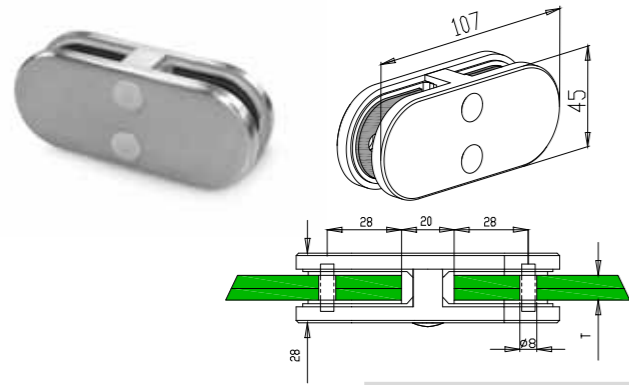
S = Satin Effect



INFO

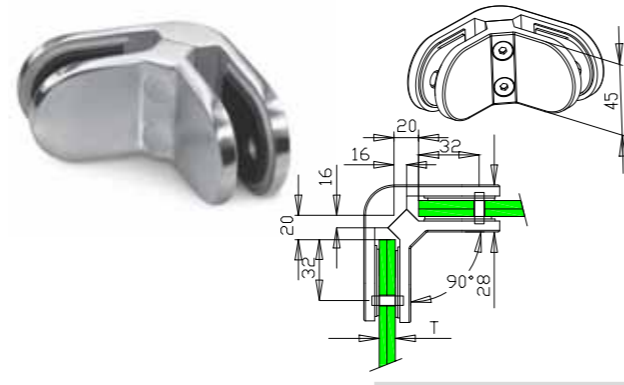


GLASS CLAMPS STAINLESS



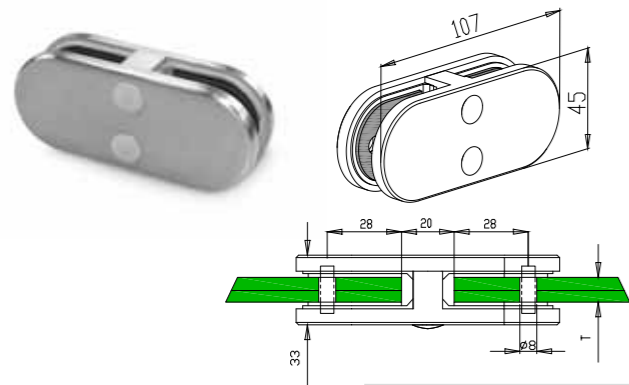
► Model 32.100 In-Line		304	Indoor
CODE	G (MM)		
34.3206.100.S	6		
34.3208.100.S	8		
34.3210.100.S	10		
34.3209.100.S	8.76		
34.3244.100.S	9.52		

► Model 32.100 In-Line		316's'	Outdoor
CODE	G (MM)		
36.3206.100.S	6		
36.3208.100.S	8		
36.3210.100.S	10		
36.3209.100.S	8.76		
36.3244.100.S	9.52		



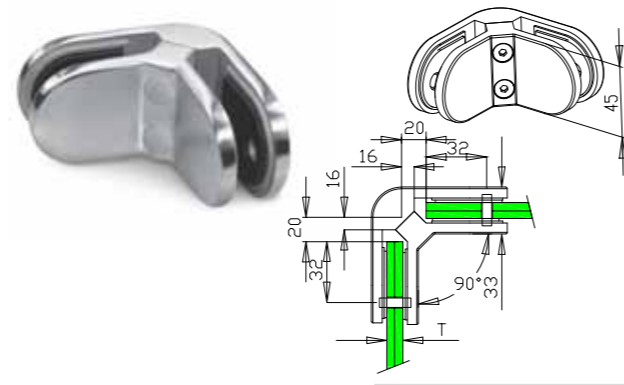
► Model 32.200 90° Corner		304	Indoor
CODE	G (MM)		
34.3206.200.S	6		
34.3208.200.S	8		
34.3210.200.S	10		
34.3209.200.S	8.76		
34.3244.200.S	9.52		

► Model 32.200 90° Corner		316's'	Outdoor
CODE	G (MM)		
36.3206.200.S	6		
36.3208.200.S	8		
36.3210.200.S	10		
36.3209.200.S	8.76		
36.3244.200.S	9.52		



► Model 33.100 In-Line		304	Indoor
CODE	G (MM)		
34.3312.100.S	12		
34.3315.100.S	15		
34.3311.100.S	10.76		
34.3354.100.S	11.52		
34.3313.100.S	12.76		
34.3364.100.S	13.52		

► Model 33.100 In-Line		316's'	Outdoor
CODE	G (MM)		
36.3312.100.S	12		
36.3315.100.S	15		
36.3311.100.S	10.76		
36.3354.100.S	11.52		
36.3313.100.S	12.76		
36.3364.100.S	13.52		



► Model 33.200 90° Corner		304	Indoor
CODE	G (MM)		
34.3312.200.S	12		
34.3315.200.S	15		
34.3311.200.S	10.76		
34.3354.200.S	11.52		
34.3313.200.S	12.76		
34.3364.200.S	13.52		

► Model 33.200 90° Corner		316's'	Outdoor
CODE	G (MM)		
36.3312.200.S	12		
36.3315.200.S	15		
36.3311.200.S	10.76		
36.3354.200.S	11.52		
36.3313.200.S	12.76		
36.3364.200.S	13.52		

GLASS CLAMPS ZINTEC



► Model 33 Flat Glass Clamp		ZINTEC	Indoor
CODE	G (MM)	BOLT	
20.3312.000.R	12	FF-47	
20.3312.000.S	12	FF-47	



► Model 33 Radiused Glass Clamp		ZINTEC	Indoor
CODE	Ø	G (MM)	BOLT
20.3312.420.R	42.4	12	FF-47
20.3312.480.R	48.3	12	FF-47
20.3312.420.S	42.4	12	FF-47
20.3312.480.S	48.3	12	FF-47

PLEASE NOTE: Pins **MUST** be used in all side fix installations

INFO

ZINTEC Finishes

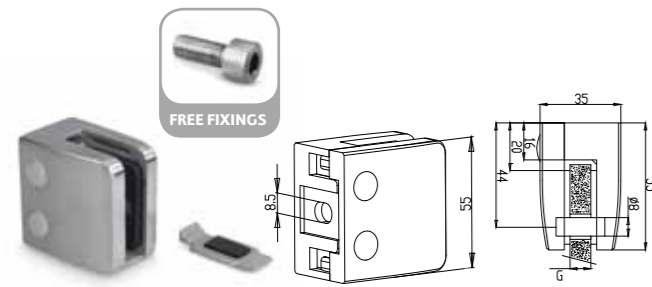
R = Raw Finish

S = Satin Effect



INFO



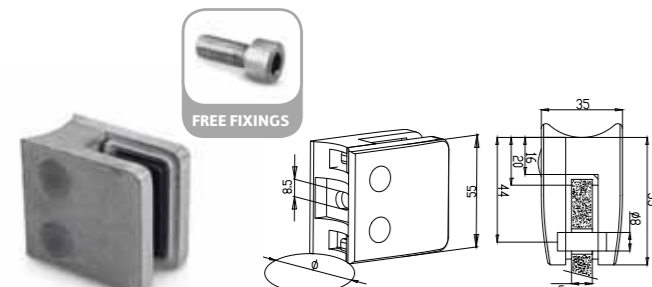


► **Model 34 Flat Glass Clamp** **304** **Indoor**

CODE	G (MM)	BOLT
34.3408.000.S	8	FF-45
34.3410.000.S	10	FF-45
34.3412.000.S	12	FF-45
34.3411.000.S	10.76	FF-45
34.3454.000.S	11.52	FF-45
34.3413.000.S	12.76	FF-45

► **Model 34 Flat Glass Clamp** **316's** **Outdoor**

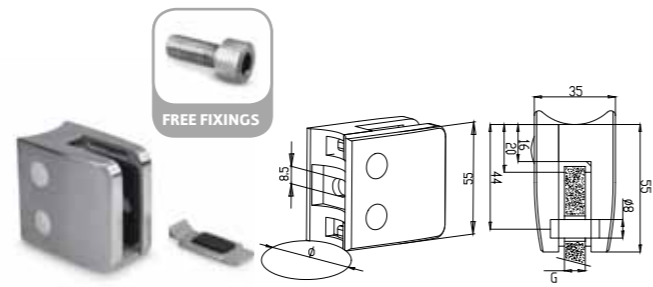
CODE	G (MM)	BOLT
36.3408.000.S	8	FF-46
36.3410.000.S	10	FF-46
36.3412.000.S	12	FF-46
36.3411.000.S	10.76	FF-46
36.3454.000.S	11.52	FF-46
36.3413.000.S	12.76	FF-46



► **Model 34 Radiused Glass Clamp** **ZINTEC** **Indoor**

CODE	Ø	G (MM)	BOLT
20.3408.420.R	42.4	8	FF-47
20.3410.420.R	42.4	10	FF-47
20.3412.420.R	42.4	12	FF-47
20.3408.480.R	48.3	8	FF-47
20.3410.480.R	48.3	10	FF-47
20.3412.480.R	48.3	12	FF-47

20.3408.420.S	42.4	8	FF-47
20.3410.420.S	42.4	10	FF-47
20.3412.420.S	42.4	12	FF-47
20.3408.480.S	48.3	8	FF-47
20.3410.480.S	48.3	10	FF-47
20.3412.480.S	48.3	12	FF-47

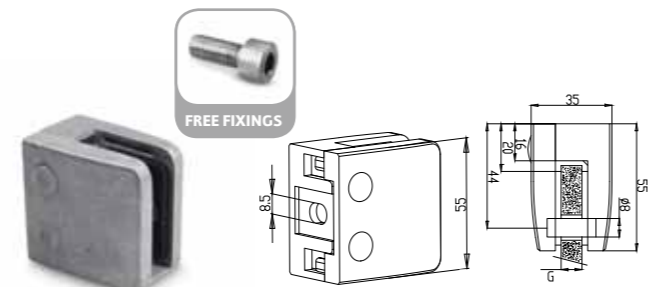


► **Model 34 Radiused Glass Clamp** **304** **Indoor**

CODE	Ø	G (MM)	BOLT
34.3408.420.S	42.4	8	FF-45
34.3410.420.S	42.4	10	FF-45
34.3412.420.S	42.4	12	FF-45
34.3411.420.S	42.4	10.76	FF-45
34.3454.420.S	42.4	11.52	FF-45
34.3413.420.S	42.4	12.76	FF-45
34.3408.480.S	48.3	8	FF-45
34.3410.480.S	48.3	10	FF-45
34.3412.480.S	48.3	12	FF-45
34.3411.480.S	48.3	10.76	FF-45
34.3454.480.S	48.3	11.52	FF-45
34.3413.480.S	48.3	12.76	FF-45

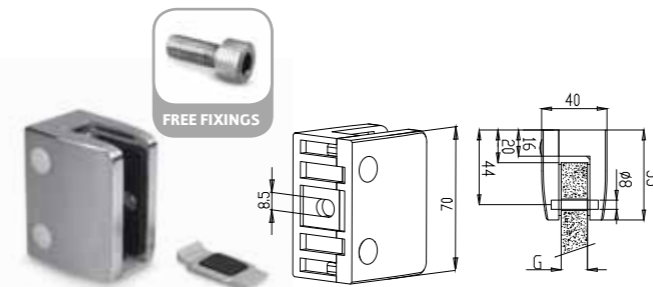
► **Model 34 Radiused Glass Clamp** **316's** **Outdoor**

CODE	Ø	G (MM)	BOLT
36.3408.420.S	42.4	8	FF-46
36.3410.420.S	42.4	10	FF-46
36.3412.420.S	42.4	12	FF-46
36.3411.420.S	42.4	10.76	FF-46
36.3454.420.S	42.4	11.52	FF-46
36.3413.420.S	42.4	12.76	FF-46
36.3408.480.S	48.3	8	FF-46
36.3410.480.S	48.3	10	FF-46
36.3412.480.S	48.3	12	FF-46
36.3411.480.S	48.3	10.76	FF-46
36.3454.480.S	48.3	11.52	FF-46
36.3413.480.S	48.3	12.76	FF-46



► **Model 34 Flat Glass Clamp** **ZINTEC** **Indoor**

CODE	G (MM)	BOLT
20.3408.000.R	8	FF-47
20.3410.000.R	10	FF-47
20.3412.000.R	12	FF-47
20.3408.000.S	8	FF-47
20.3410.000.S	10	FF-47
20.3412.000.S	12	FF-47

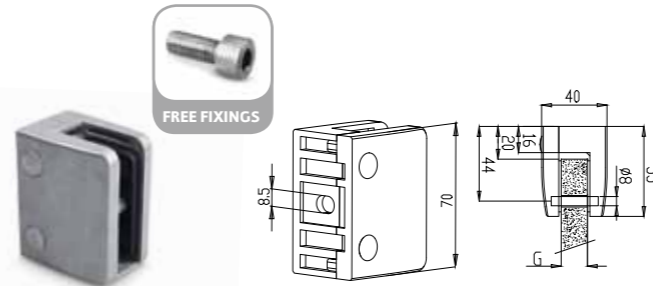


► **Model 35 Flat Glass Clamp** **304** **Indoor**

CODE	G (MM)	BOLT
34.3510.000.S	10	FF-45
34.3512.000.S	12	FF-45
34.3515.000.S	15	FF-45
34.3564.000.S	13.52	FF-45
34.3517.000.S	17.52	FF-45

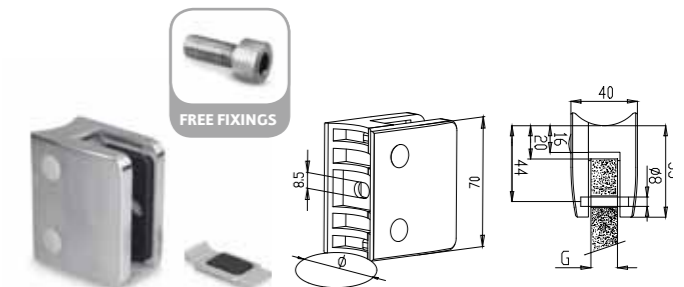
► **Model 35 Flat Glass Clamp** **316's** **Outdoor**

CODE	G (MM)	BOLT
36.3510.000.S	10	FF-46
36.3512.000.S	12	FF-46
36.3515.000.S	15	FF-46
36.3564.000.S	13.52	FF-46
36.3517.000.S	17.52	FF-46



► **Model 35 Flat Glass Clamp** **ZINTEC** **Indoor**

CODE	G (MM)	BOLT
20.3510.000.R	10	FF-47
20.3512.000.R	12	FF-47
20.3515.000.R	15	FF-47
20.3510.000.S	10	FF-47
20.3512.000.S	12	FF-47
20.3515.000.S	15	FF-47

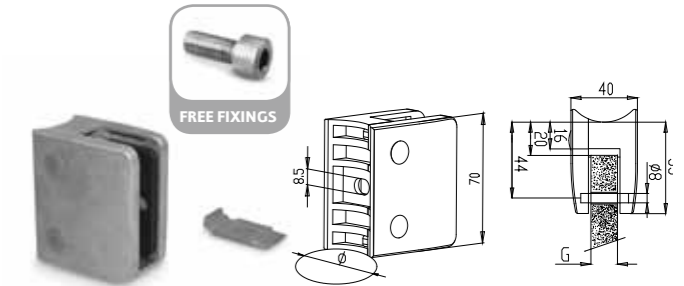


► **Model 35 Radiused Glass Clamp** **304** **Indoor**

CODE	Ø	G (MM)	BOLT
34.3510.480.S	48.3	10	FF-45
34.3512.480.S	48.3	12	FF-45
34.3515.480.S	48.3	15	FF-45
34.3564.480.S	48.3	13.52	FF-45
34.3517.480.S	48.3	17.52	FF-45

► **Model 35 Radiused Glass Clamp** **316's** **Outdoor**

CODE	Ø	G (MM)	BOLT
36.3510.480.S	48.3	10	FF-46
36.3512.480.S	48.3	12	FF-46
36.3515.480.S	48.3	15	FF-46
36.3564.480.S	48.3	13.52	FF-46
36.3517.480.S	48.3	17.52	FF-46



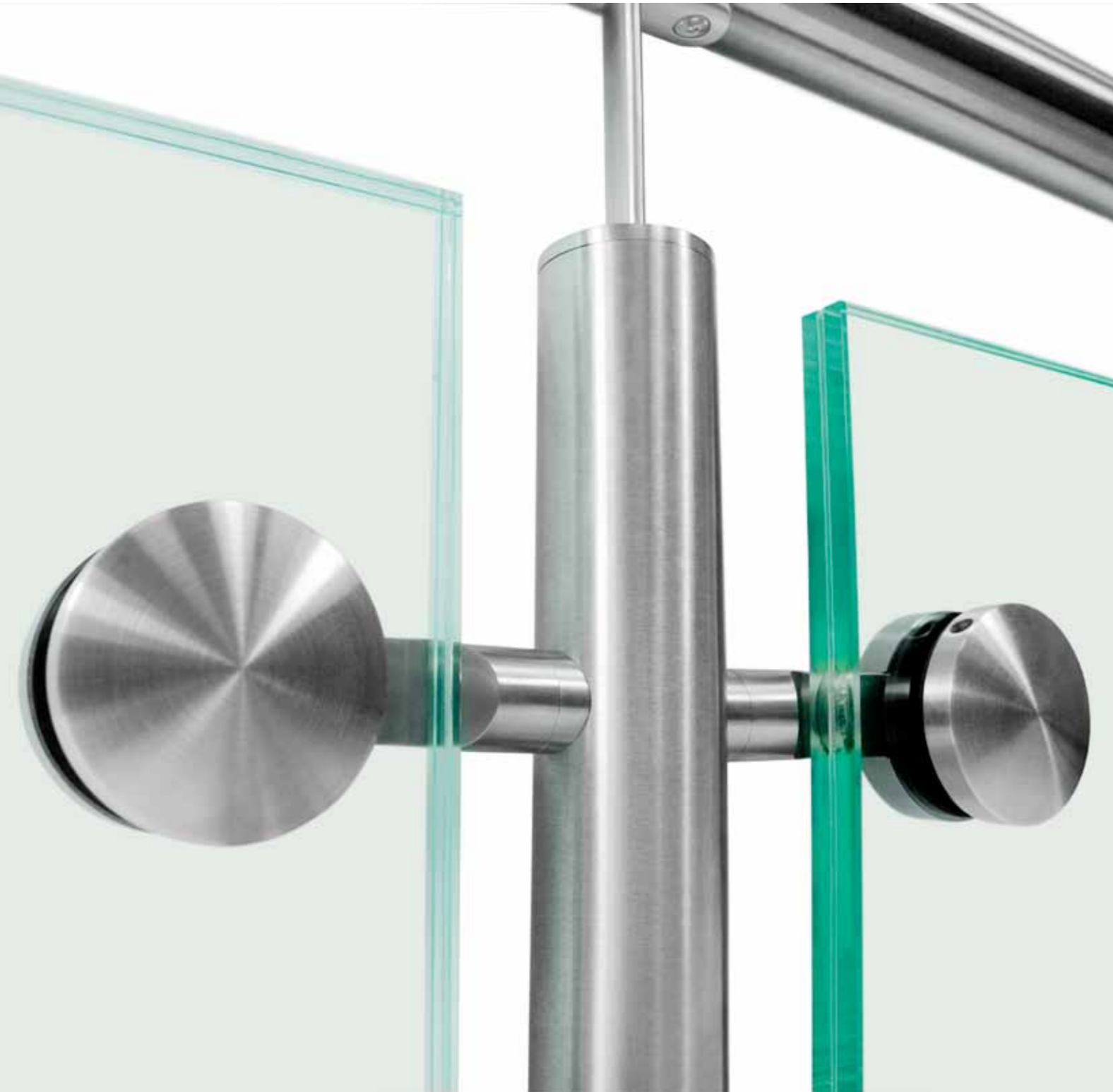
► **Model 35 Radiused Glass Clamp** **ZINTEC** **Indoor**

CODE	Ø	G (MM)	BOLT
20.3510.480.R	48.3	10	FF-47
20.3512.480.R	48.3	15	FF-47
20.3515.480.R	48.3	15	FF-47
20.3510.480.S	48.3	10	FF-47
20.3512.480.S	48.3	12	FF-47
20.3515.480.S	48.3	15	FF-47

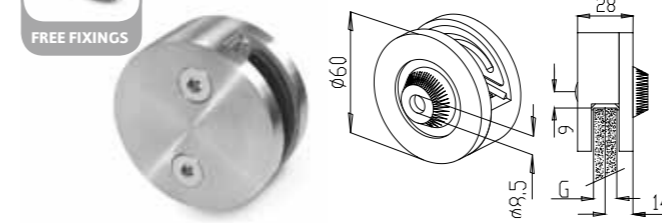
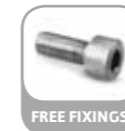
INFO



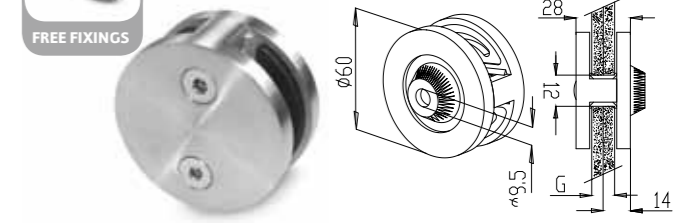
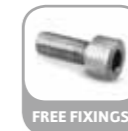
creativity
innovation
technical mastery



GLASS CLAMPS STAINLESS STEEL



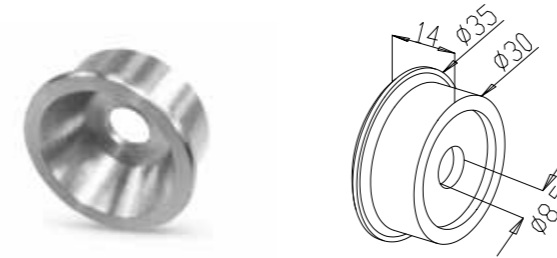
► Model 38.100 Glass Clamp		304	Indoor
CODE	G (MM)	BOLT	
34.3808.100.S	8	FF-45	
34.3810.100.S	10	FF-45	
34.3812.100.S	12	FF-45	



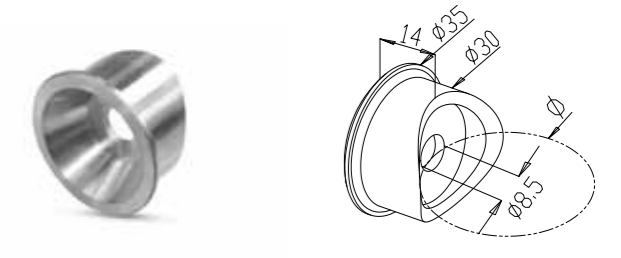
► Model 38.200 Glass Clamp		304	Indoor
CODE	G (MM)	BOLT	
34.3808.200.S	8	FF-45	
34.3810.200.S	10	FF-45	
34.3812.200.S	12	FF-45	

► Model 38.100 Glass Clamp		316's	Outdoor
CODE	G (MM)	BOLT	
36.3808.100.S	8	FF-46	
36.3810.100.S	10	FF-46	
36.3812.100.S	12	FF-46	

► Model 38.200 Glass Clamp		316's	Outdoor
CODE	G (MM)	BOLT	
36.3808.200.S	8	FF-46	
36.3810.200.S	10	FF-46	
36.3812.200.S	12	FF-46	



► Model 38 Adaptor		304	Indoor
CODE			
34.3800.000.S			



► Model 38 Adaptor		304	Indoor
CODE	Ø		
34.3800.420.S	42.4		
34.3800.480.S	48.3		

► Model 38 Adaptor		316's	Outdoor
CODE			
36.3800.000.S			

► Model 38 Adaptor		316's	Outdoor
CODE	Ø		
36.3800.420.S	42.4		
36.3800.480.S	48.3		



► Model 39 Glass Clamp		304	Indoor
CODE	G (MM)	Ø	BOLT
34.3900.420.S	9.52-17.52	42.4	FF-15
34.3900.480.S	9.52-17.52	48.3	FF-15

► Model 39 Glass Clamp		316's	Outdoor
CODE	G (MM)	Ø	BOLT
36.3900.420.S	9.52-17.52	42.4	FF-16
36.3900.480.S	9.52-17.52	48.3	FF-16



New Model 39 glass clamps offer a different look and feel to your balustrade design creating a unique installation



To Suit
Stainless Steel
Glass Clamps

► Model 30 Rubbers (1 No. Pair)

CODE	CLAMP	G (MM)
40.3006.000.R	SS	6
40.3008.000.R	SS	8

► Model 31 Rubbers (1 No. Pair)

CODE	CLAMP	G (MM)
40.3106.000.R	SS	6
40.3108.000.R	SS	8
40.3110.000.R	SS	10
40.3108.760.R	SS	8.76
40.3109.520.R	SS	9.52

► Model 32 Rubbers (1 No. Pair)

CODE	CLAMP	G (MM)
40.3206.000.R	SS	6
40.3208.000.R	SS	8
40.3210.000.R	SS	10
40.3212.000.R	SS	12
40.3208.760.R	SS	8.76
40.3209.520.R	SS	9.52
40.3210.760.R	SS	10.76
40.3211.520.R	SS	11.52
40.3212.760.R	SS	12.76

► Model 34 Rubbers (1 No. Pair)

CODE	CLAMP	G (MM)
40.3408.000.R	SS	8
40.3410.000.R	SS	10
40.3412.000.R	SS	12
40.3410.760.R	SS	10.76
40.3411.520.R	SS	11.52
40.3412.760.R	SS	12.76

► Model 35 Rubbers (1 No. Pair)

CODE	CLAMP	G (MM)
40.3510.000.R	SS	10
40.3512.000.R	SS	12
40.3515.000.R	SS	15
40.3513.520.R	SS	13.52
40.3517.520.R	SS	17.52

► Model 38.100 Rubbers (1 No. Pair)

CODE	CLAMP	G (MM)
40.3808.000.R	SS	8
40.3810.000.R	SS	10
40.3812.000.R	SS	12



To Suit
Double Headed
Glass Clamps

► Model 32.100 & 32.200 Rubbers (1 No. Set of 4 Rubbers)

CODE	CLAMP	G (MM)
42.3206.000.R	SS	6
42.3208.000.R	SS	8
42.3210.000.R	SS	10
42.3208.760.R	SS	8.76
42.3209.520.R	SS	9.52

► Model 33.100 & 33.200 Rubbers (1 No. Set of 4 Rubbers)

CODE	CLAMP	G (MM)
42.3312.000.R	SS	12
42.3315.000.R	SS	15
42.3310.760.R	SS	10.76
42.3311.520.R	SS	11.52
42.3312.760.R	SS	12.76
42.3313.520.R	SS	13.52

► Model 38.200 Rubbers (1 No. Set of 4 Rubbers)

CODE	CLAMP	G (MM)
42.3808.000.R	SS	8
42.3810.000.R	SS	10
40.3812.000.R	SS	12



To Suit
Zintec
Glass Clamps

► Model 30 Rubbers (1 No. Pair)

CODE	CLAMP	G (MM)
41.3006.000.R	Zintec	6
41.3008.000.R	Zintec	8

► Model 31 Rubbers (1 No. Pair)

CODE	CLAMP	G (MM)
41.3106.000.R	Zintec	6
41.3108.000.R	Zintec	8
41.3110.000.R	Zintec	10

► Model 32 Rubbers (1 No. Pair)

CODE	CLAMP	G (MM)
41.3206.000.R	Zintec	6
41.3208.00.R	Zintec	8
41.3210.000.R	Zintec	10

► Model 33 Rubbers (1 No. Pair)

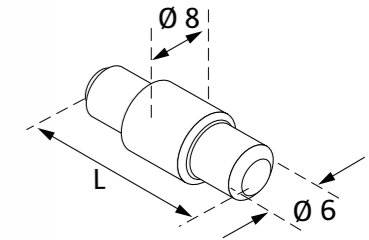
CODE	CLAMP	G (MM)
41.3312.000.R	Zintec	12

► Model 34 Rubbers (1 No. Pair)

CODE	CLAMP	G (MM)
41.3408.000.R	Zintec	8
41.3410.000.R	Zintec	10
41.3412.000.R	Zintec	12

► Model 35 Rubbers (1 No. Pair)

CODE	CLAMP	G (MM)
41.3515.000.R	Zintec	10
41.3512.000.R	Zintec	12
41.3515.000.R	Zintec	15



► Model 30 Security Pins

CODE
40.4010.030.R

► Model 32 Security Pins

CODE
40.4010.032.R

► Model 33 Security Pins

CODE
40.4010.033.R

► Model 34 Security Pins

CODE
40.4010.035.R



► Cover Caps

CODE
40.4020.010.P



► Cover Caps

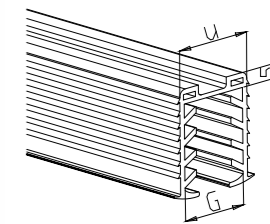
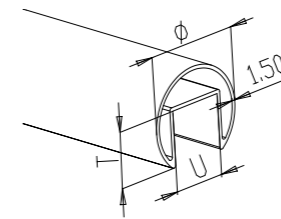
CODE
40.4020.010.M



JULIET BALCONY



JULIET BALCONY



► Model 7000/7100 Handrail 304 Indoor

CODE	L	Ø	T	U
34.7000.420.S	5000	42.4	24	24
34.7000.480.S	5000	48.3	30	27
34.7000.600.S	5000	60.3	34	34
34.7100.420.S	2500	42.4	24	24
34.7100.480.S	2500	48.3	30	27
34.7100.600.S	2500	60.3	34	34

► Model 7000/7100 Handrail 316 Outdoor

CODE	L	Ø	T	U
36.7000.420.S	5000	42.4	24	24
36.7000.480.S	5000	48.3	30	27
36.7100.420.S	2500	42.4	24	24
36.7100.480.S	2500	48.3	30	27

► Model 7042 42.4 mm Rubber Set

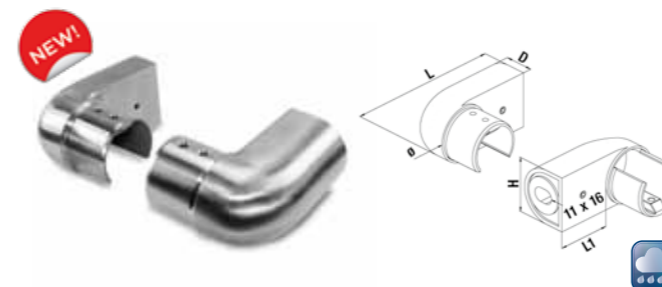
CODE	L	U	G (MM)
40.7042.010.R	5000	24	8-11
40.7042.012.R	5000	24	11.52-13.52
40.7042.015.R	5000	24	15-16.76
40.7042.019.R	5000	24	17.52-19
40.7042.020.R	5000	24	21.52

40.7142.010.R	2500	24	8-11
40.7142.012.R	2500	24	11.52-13.52
40.7142.015.R	2500	24	15-16.76
40.7142.019.R	2500	24	17.52-19
40.7142.020.R	2500	24	21.52

► Model 7048 48.3 mm Rubber Set

CODE	L	U	G (MM)
40.7048.012.R	5000	27	11.52-13.52
40.7048.015.R	5000	27	15-16.76
40.7048.019.R	5000	27	17.52-19
40.7048.020.R	5000	27	21.52

40.7148.012.R	2500	27	11.52-13.52
40.7148.015.R	2500	27	15-16.76
40.7148.019.R	2500	27	17.52-19
40.7148.020.R	2500	27	21.52



► Model 4000 Fixing Brackets 316's Outdoor

CODE	L	Ø	L1	H
36.4000.420.S	62	42.4	31	42.4
36.4000.480.S	64	48.3	39	48.3

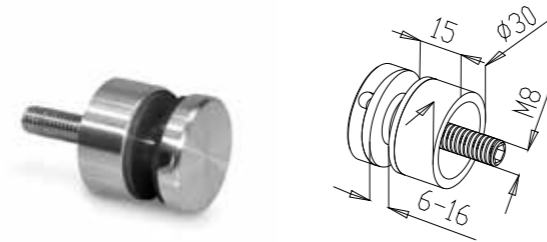
INFO



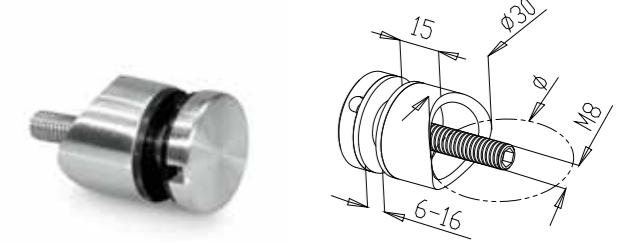


GLASS CONNECTORS & PANEL HOLDERS

GLASS CONNECTORS



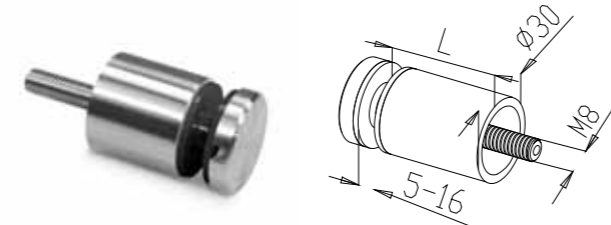
► Model 4010 Glass Connector	304	Indoor
CODE		
34.4010.000.S		



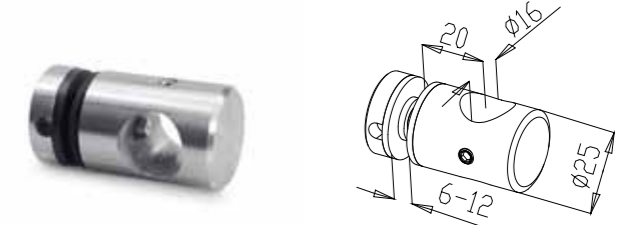
► Model 4010 Glass Connector	304	Indoor
CODE	Ø	
34.4010.420.S	42.4	
34.4010.480.S	48.3	

► Model 4010 Glass Connector	316's	Outdoor
CODE		
36.4010.000.S		

► Model 4010 Glass Connector	316's	Outdoor
CODE	Ø	
36.4010.420.S	42.4	
36.4010.480.S	48.3	



► Model 4010 Glass Connector	304	Indoor
CODE	L	
34.4010.100.S	30	

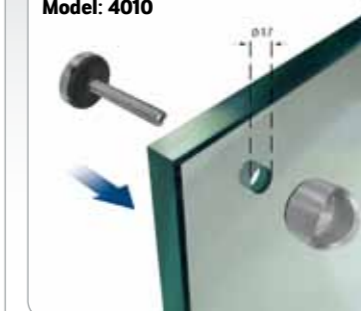


► Model 4020 Glass Connector	304	Indoor
CODE		
34.4020.016.S		

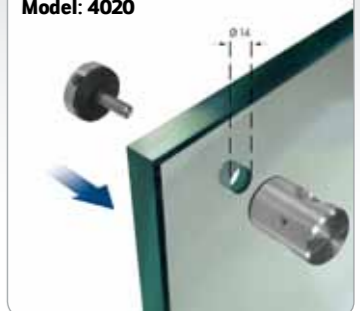
► Model 4020 Glass Connector	316's	Outdoor
CODE		
36.4020.016.S		

INFO

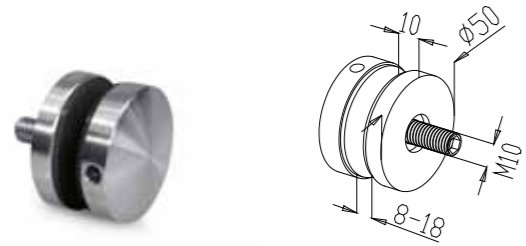
Model: 4010



Model: 4020



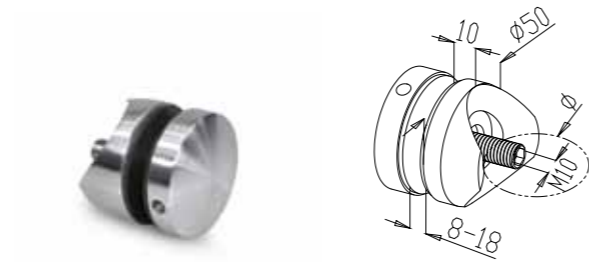
GLASS CONNECTORS



► Model 4030 Glass Connector	304	Indoor
CODE		
34.4030.000.S		



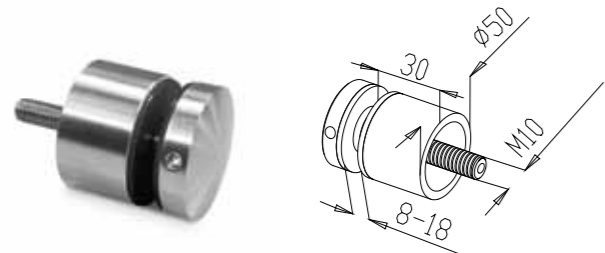
► Model 4030 Glass Connector	316's	Outdoor
CODE		
36.4030.000.S		



► Model 4030 Glass Connector	304	Indoor
CODE	Ø	BOLT
34.4030.420.S	42.4	FF-15
34.4030.480.S	48.3	FF-15



► Model 4030 Glass Connector	316's	Outdoor
CODE	Ø	BOLT
36.4030.420.S	42.4	FF-15
36.4030.480.S	48.3	FF-15



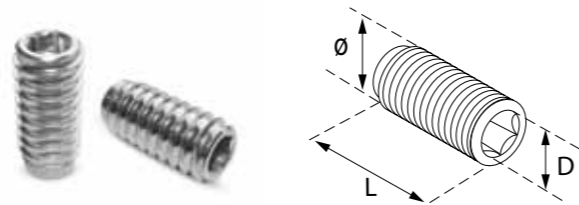
► Model 4030 Glass Connector	304	Indoor
CODE		
34.4030.100.S		



► Model 4030 Glass Connector	316's	Outdoor
CODE		
36.4030.100.S		



► Model 4100 Adj Glass Connector	316's	Outdoor
CODE		
36.4100.040.S		



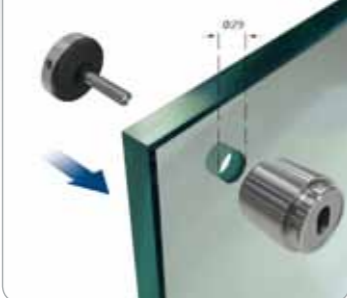
► Model 9180 Threaded Insert (10 No.)	Zinc Plated		
CODE	D	L	Ø
20.9180.080.Z	M8	23	16
20.9180.102.Z	M10	25	18.5
20.9180.104.Z	M10	40	18.5

INFO

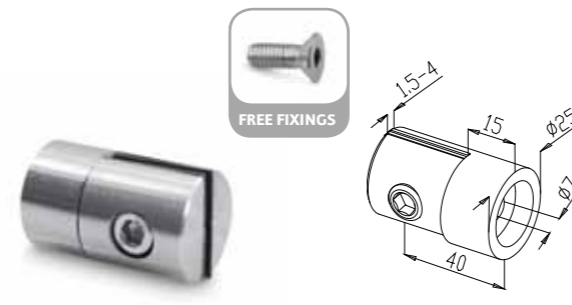
Model: 4030



Model: 4100



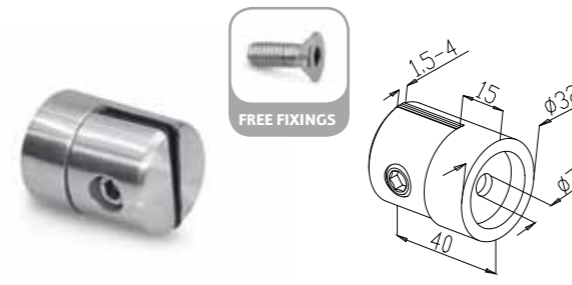
PANEL HOLDERS



► Model 4500 Panel Holder	304	Indoor
CODE		BOLT
34.4500.000.S		FF-15



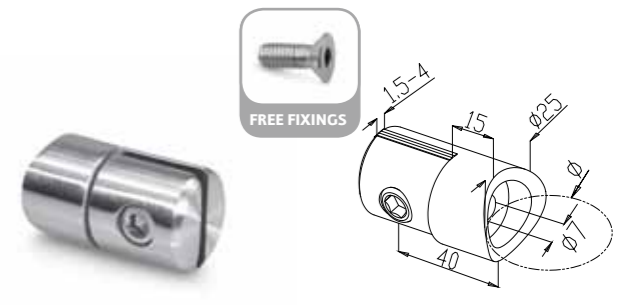
► Model 4500 Panel Holder	316's	Outdoor
CODE		BOLT
36.4500.000.S		FF-16



► Model 4510 Panel Holder	304	Indoor
CODE		BOLT
34.4510.000.S		FF-15



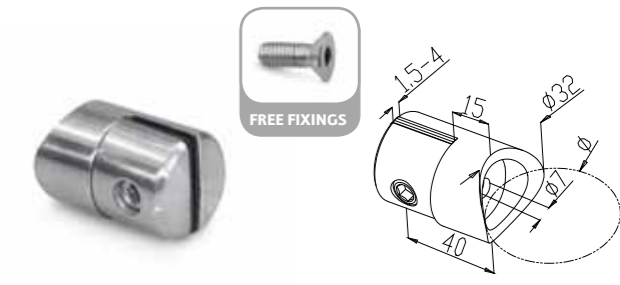
► Model 4510 Panel Holder	316's	Outdoor
CODE		BOLT
36.4510.000.S		FF-16



► Model 4500 Panel Holder	304	Indoor
CODE	Ø	BOLT
34.4500.420.S	42.4	FF-15
34.4500.480.S	48.3	FF-15



► Model 4500 Panel Holder	316's	Outdoor
CODE	Ø	BOLT
36.4500.420.S	42.4	FF-16
36.4500.480.S	48.3	FF-16



► Model 4510 Panel Holder	304	Indoor
CODE	Ø	BOLT
34.4510.420.S	42.4	FF-15
34.4510.480.S	48.3	FF-15



► Model 4510 Panel Holder	316's	Outdoor
CODE	Ø	BOLT
36.4510.420.S	42.4	FF-16
36.4510.480.S	48.3	FF-16

ACCESSORIES



PAGE 131
Glass Cleaner
500 ml
10.9020.000.A

ACCESSORIES



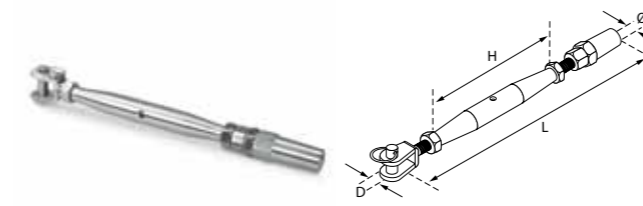
PAGE 131
Internal Cleaner
500 ml
10.9020.000.A



WIRE-TEC



WIRE-TEC

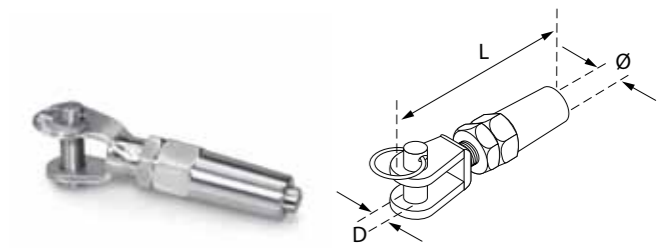


► **Model 6010 Terminal with Jaw** **304** **Indoor**

CODE	CABLE	Ø	D	H	L
34.6000.003.S	3.2mm	3.2	5	90	155-230
34.6000.006.S	6.0mm	6.0	7	125	200-290

► **Model 6010 Terminal with Jaw** **316** **Outdoor**

CODE	CABLE	Ø	D	H	U
36.6000.003.S	3.2mm	3.2	5	90	155-230
36.6000.006.S	6.0mm	6.0	7	125	200-290

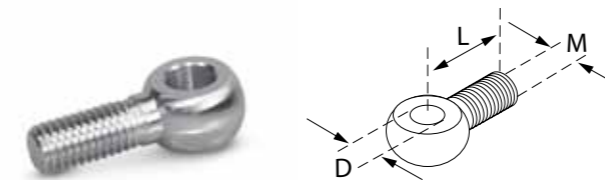


► **Model 6010 Terminal with Jaw** **304** **Indoor**

CODE	CABLE	Ø	D	L
34.6010.003.S	3.2mm	3.2	5	50
34.6010.006.S	6.0mm	6.0	7	70

► **Model 6010 Terminal with Jaw** **316** **Outdoor**

CODE	CABLE	Ø	D	U
36.6010.003.S	3.2mm	3.2	5	50
36.6010.006.S	6.0mm	6.0	7	70

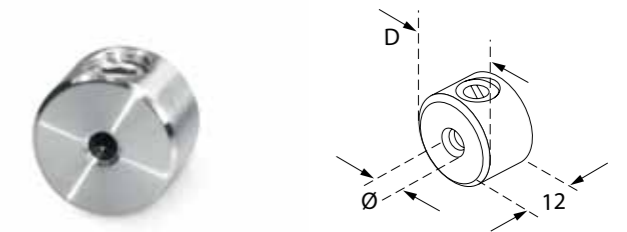


► **Model 6020 Eye Bolt** **304** **Indoor**

CODE	M	D	L
34.6020.003.S	M6	6.0	19
34.6020.006.S	M10	8.0	30

► **Model 6020 Eye Bolt** **316** **Outdoor**

CODE	M	D	L
36.6020.003.S	M6	6.0	19
36.6020.006.S	M10	8.0	30

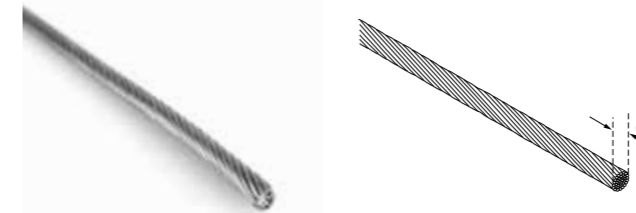


► **Model 6030 Cable Stopper** **304** **Indoor**

CODE	CABLE	Ø	D
34.6030.003.S	3.2mm	3.5	18
34.6030.006.S	6.0mm	6.5	20

► **Model 6030 Cable Stopper** **316** **Outdoor**

CODE	CABLE	Ø	D
36.6030.003.S	3.2mm	3.5	18
36.6030.006.S	6.0mm	6.5	20



► **Model 6203/6206 Cable (1x19)** **304** **Indoor**

CODE	Ø	L
34.6203.010.S	3.2	10M
34.6203.050.S	3.2	50M
34.6203.100.S	3.2	100M
34.6206.010.S	6.0	10M
34.6206.050.S	6.0	50M
34.6206.100.S	6.0	100M

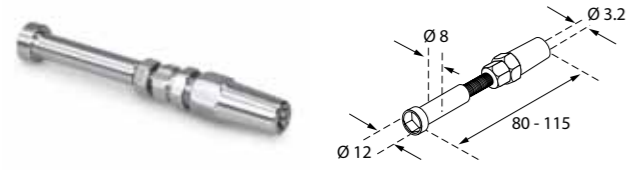
► **Model 6203/6206 Cable (1x19)** **316** **Outdoor**

CODE	Ø	L
36.6203.010.S	3.2	10M
36.6203.050.S	3.2	50M
36.6203.100.S	3.2	100M
36.6203.010.S	6.0	10M
36.6203.050.S	6.0	50M
36.6203.100.S	6.0	100M



► **Model 6350 Cable Cutters**

CODE	Ø
10.6350.000.T	3.2

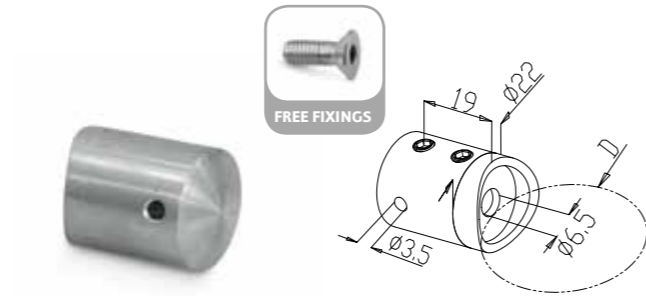


► **Model 6100 Tensioner with Thread** **304** **Indoor**

CODE	CABLE
34.6100.003.S	3.2mm

► **Model 6100 Tensioner with Thread** **316** **Outdoor**

CODE	CABLE
36.6100.003.S	3.2mm

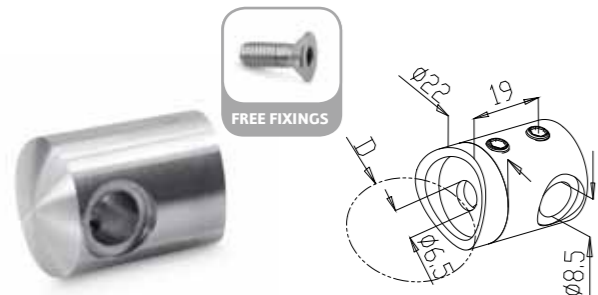


► **Model 6130 Crossbar holder for Cable** **304** **Indoor**

CODE	CABLE	D	BOLT
34.6130.420.S	3.2mm	42.4	FF-15
34.6130.480.S	3.2mm	48.3	FF-15

► **Model 6130 Crossbar holder for Cable** **316** **Outdoor**

CODE	CABLE	D	BOLT
36.6130.420.S	3.2mm	42.4	FF-16
36.6130.480.S	3.2mm	48.3	FF-16



► **Model 6110 Crossbar holder for Tensioner-Left** **304** **Indoor**

CODE	D	BOLT
34.6110.420.S	42.4	FF-15
34.6110.480.S	48.3	FF-15

► **Model 6110 Crossbar holder for Tensioner-Left** **316** **Outdoor**

CODE	D	BOLT
36.6110.420.S	42.4	FF-16
36.6110.480.S	48.3	FF-16



► **Model 6110 Crossbar holder for Tensioner-Right** **304** **Indoor**

CODE	D	BOLT
34.6120.420.S	42.4	FF-15
34.6120.480.S	48.3	FF-15

► **Model 6110 Crossbar holder for Tensioner-Right** **316** **Outdoor**

CODE	D	BOLT
36.6120.420.S	42.4	FF-16
36.6120.480.S	48.3	FF-16



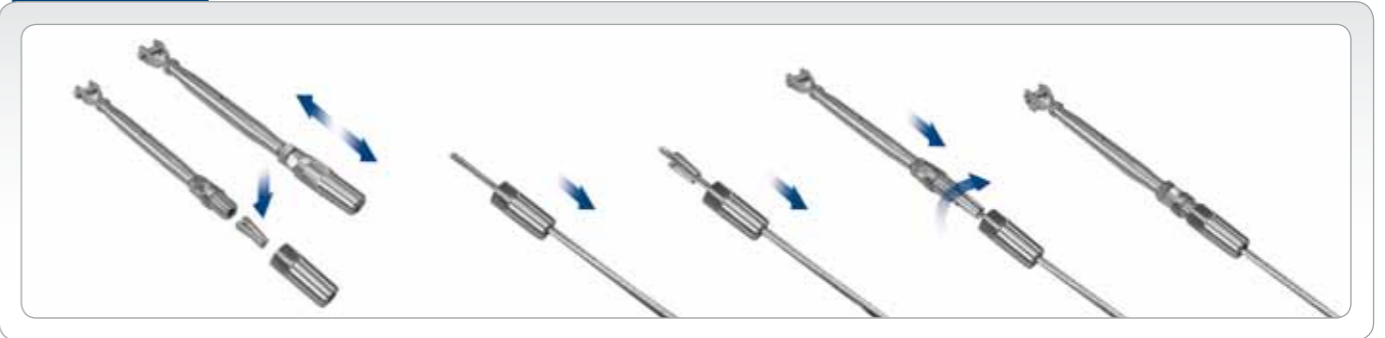
► **Model 6203 Cable 3.2mm (1x19)** **304** **Indoor**

CODE	Ø	L
34.6203.010.S	3.2	10M
34.6203.050.S	3.2	50M
34.6203.100.S	3.2	100M

► **Model 6203 Cable 3.2mm (1x19)** **316** **Outdoor**

CODE	Ø	L
36.6203.010.S	3.2	10M
36.6203.050.S	3.2	50M
36.6203.100.S	3.2	100M

INFO



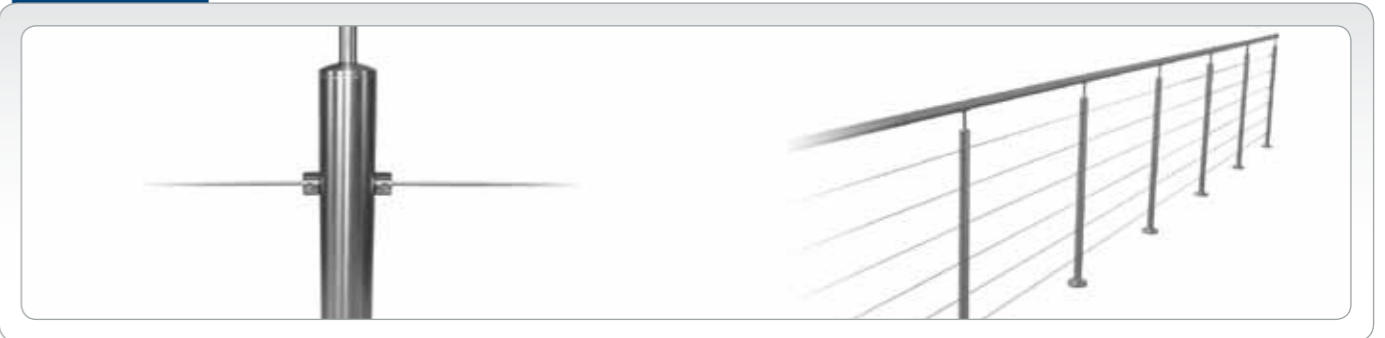
INFO



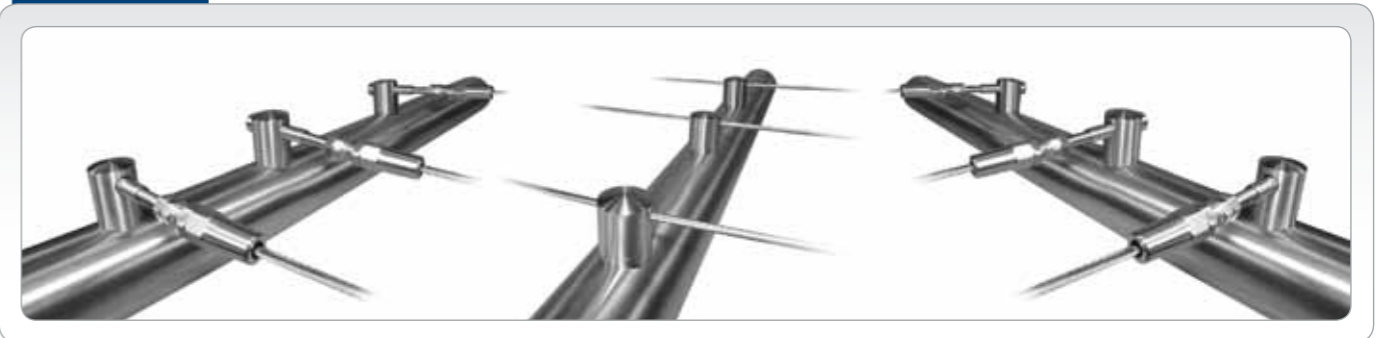
INFO



INFO



INFO

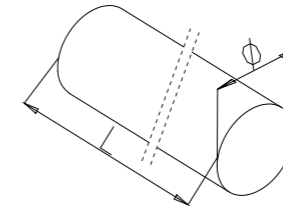




TIMBER-TEC

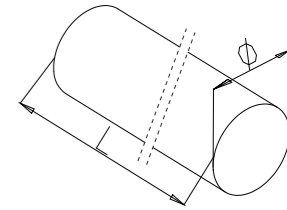


TIMBER-TEC



► **Model 8000 Beech Handrail**

CODE	Ø	L
22.8000.420.B	42	2400
22.8000.480.B	48	2400



► **Model 8000 Oak Handrail**

CODE	Ø	L
22.8000.420.O	42	2400
22.8000.480.O	48	2400



► **Model 8010 Elbow**

CODE	Ø	304	Indoor
		L	BOLT
34.8010.420.S	42	60	FF-6
34.8010.480.S	48	65	FF-6



► **Model 8020 Adj Elbow**

CODE	Ø	304	Indoor
		L	BOLT
34.8020.420.S	42	50	FF-6
34.8020.480.S	48	55	FF-6

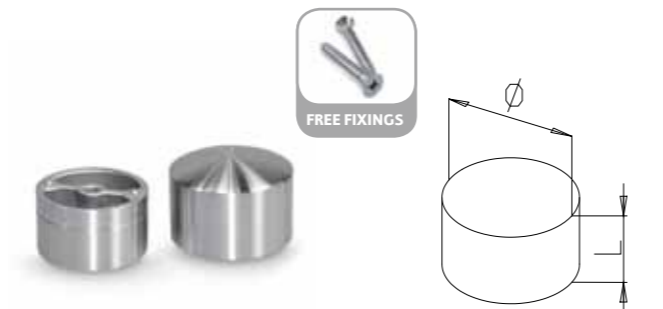
E INFO





► Model 8030 Return End

		304	Indoor	
CODE	Ø	L	H	BOLT
34.8030.420.S	42	70	91	FF-6
34.8030.480.S	48	75	89	FF-6



► Model 8040 End Cap

		304	Indoor	
CODE	Ø	L	BOLT	
34.8040.420.S	42	30	FF-6	
34.8040.480.S	48	35	FF-6	



► Model 8050 Connector

		304	Indoor	
CODE	Ø	L	BOLT	
34.8050.420.S	42	60	FF-6	
34.8050.480.S	48	65	FF-6	



► Model 8060 Spigot

		304	Indoor	
CODE	Ø	L	BOLT	
34.8060.420.S	42	21	FF-6	
34.8060.480.S	48	23	FF-6	



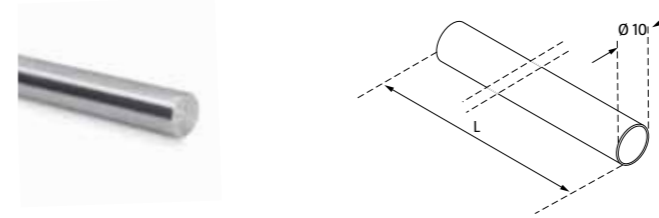
► Model 6400 Aligning Tool

CODE	Ø
10.6400.420.T	42
10.6400.480.T	48

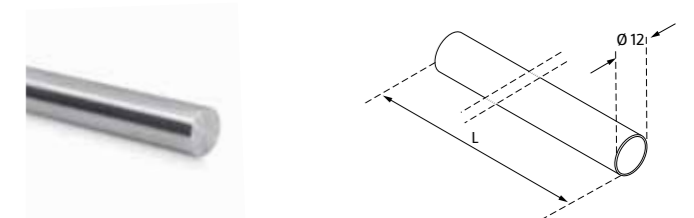




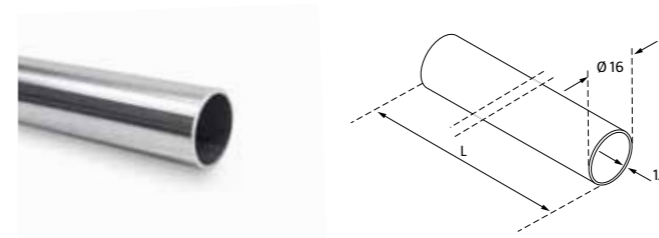
TUBES AND BARS



► Ø 10mm Bar		
	304	Indoor
CODE	L	
34.1900.010.S	5000mm	
34.1910.010.S	2500mm	

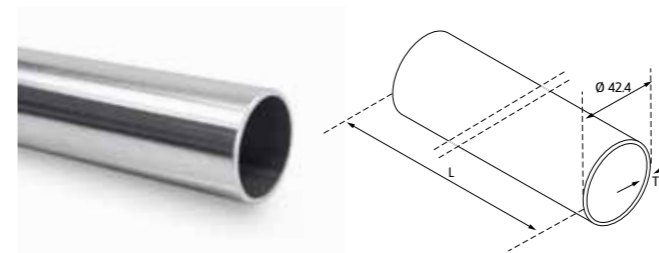


► Ø 12mm Bar		
	304	Indoor
CODE	L	
34.1900.012.S	5000mm	
34.1910.012.S	2500mm	



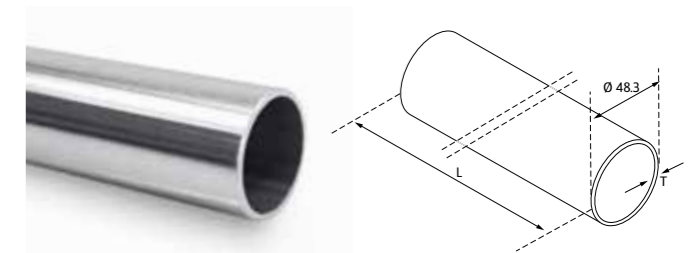
► Ø 16mm Tube		
	304	Indoor
CODE	L	T(MM)
34.1900.016.S	5000mm	1.0
34.1910.016.S	2500mm	1.0

► Ø 16mm Tube		
	316	Outdoor
CODE	L	T(MM)
36.1900.016.S	5000mm	1.0
36.1910.016.S	2500mm	1.0



► Ø 42.4mm Tube		
	304	Indoor
CODE	L	T(MM)
34.1900.422.S	6000mm	2.0
34.1900.426.S	6000mm	2.6
34.1910.422.S	3000mm	2.0
34.1910.426.S	3000mm	2.6

► Ø 42.4mm Tube		
	316	Outdoor
CODE	L	T(MM)
36.1900.422.S	6000mm	2.0
36.1900.426.S	6000mm	2.6
36.1910.422.S	3000mm	2.0
36.1910.426.S	3000mm	2.6



► Ø 48.3mm Tube		
	304	Indoor
CODE	L	T(MM)
34.1900.482.S	6000mm	2.0
34.1900.486.S	6000mm	2.6
34.1910.482.S	3000mm	2.0
34.1910.486.S	3000mm	2.6

► Ø 48.3mm Tube		
	316	Outdoor
CODE	L	T(MM)
36.1900.482.S	6000mm	2.0
36.1900.486.S	6000mm	2.6
36.1910.482.S	3000mm	2.0
36.1910.486.S	3000mm	2.6

TUBES AND BARS



ACCESSORIES



► Model 9010 Glue

CODE	
10.9010.000.A	50 ml



► Model 9030 Stain Remover

CODE	
10.9030.000.A	500 ml



► Model 9020 Stainless Steel Cleaner

CODE	
10.9020.000.A	500 ml



► Model 9025 Glass Cleaner

CODE	
10.9025.000.A	500 ml



► Model 9027 Stainless Steel & Glass Cleaner Kit

CODE	
10.9027.000.A	500 ml



► Model 9200 'C' Spanner

CODE	Ø
10.9200.025.T	25-28
10.9200.030.T	30-32
10.9200.045.T	45-50
10.9200.058.T	58-62



► Model 9300 Allen Key Set

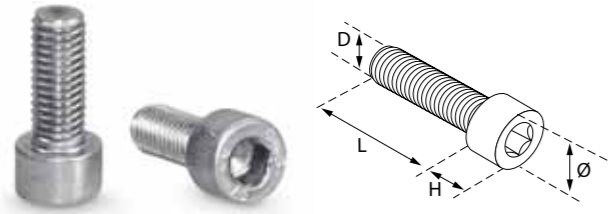
CODE	Ø
10.9300.000.T	1.5, 2.0, 3.0, 4.0, 5.0, 6.0, 8.0



► Model 9400 Tube Cutter & Replacement Blades (2 Pack)

CODE		Ø
10.9400.000.T	Tube cutter	6-6.5mm
10.9400.100.T	Replacement blades	

ACCESSORIES



► **Model 9100 Socket Headed Cap Screw (20 No.)** **304**

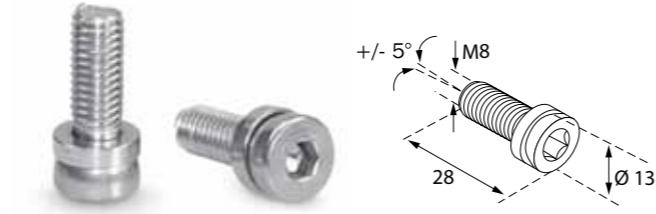
CODE	Ø	D	H	L	BOLT
34.9100.820.R	13	M8	8	20	FF-45
34.9100.835.R	13	M8	8	35	FF-29

► **Model 9100 Socket Headed Cap Screw (20 No.)** **316**

CODE	Ø	D	H	L	BOLT
36.9100.820.R	13	M8	8	20	FF-46
36.9100.835.R	13	M8	8	35	FF-30

► **Model 9100 Socket Headed Cap Screw (20 No.)** **Zinc Plated**

CODE	Ø	D	H	L	BOLT
20.9100.835.Z	13	M8	8	20	FF-47



► **Model 9101 Adj Socket Headed Cap Screw (20 No.)** **304**

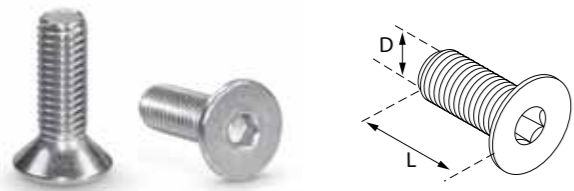
CODE	Ø	D	H	L
34.9101.820.R	13	M8	8	20

► **Model 9101 Adj Socket Headed Cap Screw (20 No.)** **316**

CODE	Ø	D	H	L
36.9101.820.R	13	M8	8	20

► **Model 9101 Adj Socket Headed Cap Screw (20 No.)** **Zinc Plated**

CODE	Ø	D	H	L
20.9101.820.Z	13	M8	8	20



► **Model 9110 Counter Sunk Screw (20 No.)** **304**

CODE	D	Ø	BOLT
34.9110.516.R	M5	16	FF-12
34.9110.616.R	M6	16	FF-48
34.9110.620.R	M6	20	FF-15
34.9110.825.R	M8	25	FF-19
34.9110.840.R	M8	40	FF-21

► **Model 9110 Counter Sunk Screw (20 No.)** **316**

CODE	D	Ø	BOLT
36.9110.516.R	M5	16	FF-13
36.9110.616.R	M6	16	FF-49
36.9110.620.R	M6	20	FF-16
36.9110.825.R	M8	25	FF-20
36.9110.840.R	M8	40	FF-22

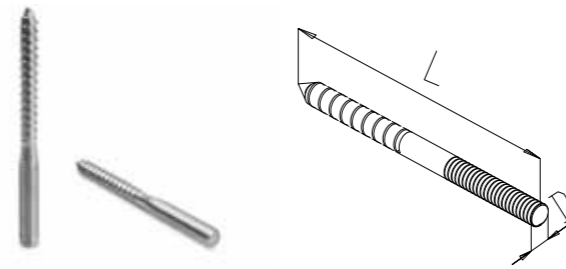


► **Model 9120 Button Head Screw (20 No.)** **304**

CODE	D	L	BOLT
34.9120.512.R	M5	12	FF-10

► **Model 9120 Button Head Screw (20 No.)** **316**

CODE	D	L	BOLT
36.9120.512.R	M5	12	FF-11

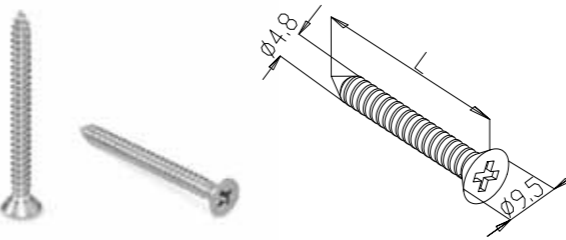


► **Model 9160 Dual Thread Screw (20 No.)** **304** **Indoor**

CODE	D	L
34.9160.850.R	M8	50

► **Model 9160 Dual Thread Screw (20 No.)** **316** **Outdoor**

CODE	D	L
36.9160.850.R	M8	50

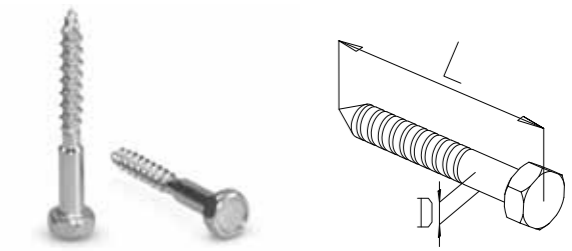


► **Model 9170 Screw (20 No.)** **304** **Indoor**

CODE	L	BOLT
34.9170.840.R	40	FF-6

► **Model 9170 Screw (20 No.)** **316** **Outdoor**

CODE	L	BOLT
36.9170.840.R	40	FF-6

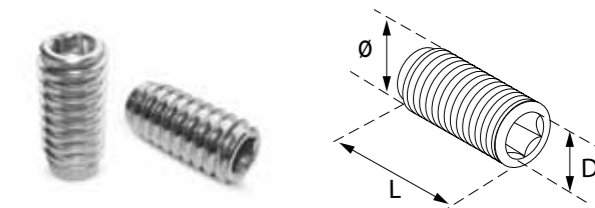


► **Model 9165 Coach Screw (20 No.)** **304** **Indoor**

CODE	D	L
34.9165.855.R	M8	55

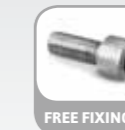
► **Model 9165 Coach Screw (20 No.)** **316** **Outdoor**

CODE	D	L
36.9165.855.R	M8	55



► **Model 9180 Threaded Insert (10 No.)** **Zinc Plated** **Indoor**

CODE	D	L	Ø
20.9180.080.Z	M8	23	16
20.9180.102.Z	M10	25	18.5
20.9180.104.Z	M10	40	18.5



Look out for the **FREE FIXINGS** offer. Please call for further details.

The complete solution
FREE FIXINGS

We listened to your needs and have responded by providing all the fixings you need to assemble your Fastec Handrail System.

All the bolts and screws for each fitting will be supplied with your order to allow you to concentrate on assembling and building your system together saving you both time and money.

Please refer to the individual fittings for information and details on the bolts and screws supplied.

Whilst we supply the bolts and screws for fastening the system together we do not supply the fasteners to secure the fittings to floors and walls, if you are unsure which fittings are supplied please refer to the information stated on each fitting.

SUPERIOR CORROSION RESISTANCE G316'S'



137



G316

G316's'

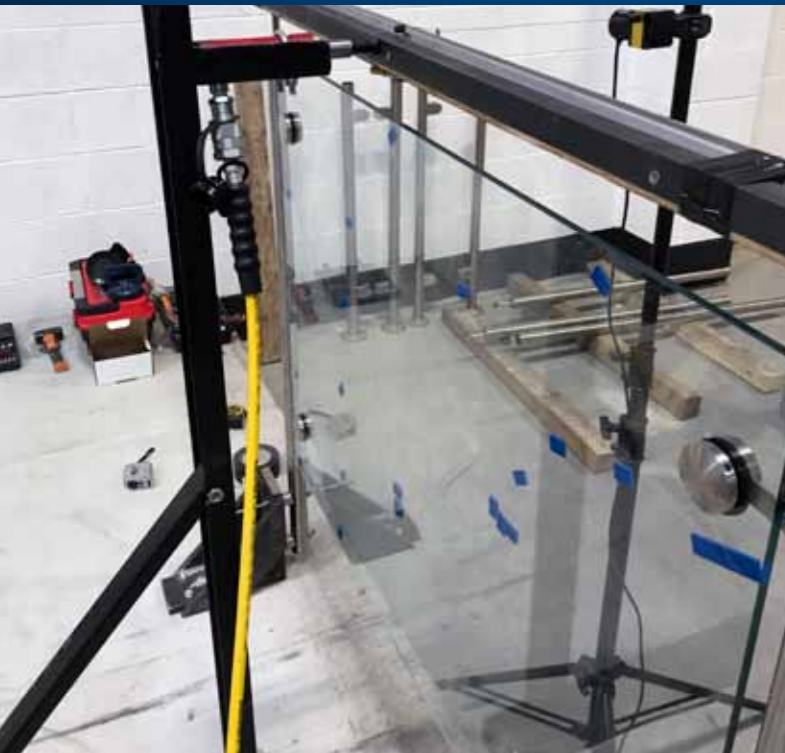
CARE AND MAINTENANCE

156



SAFETY TESTING

138-143



CUSTOMER INFORMATION

158-159

INSTALLATION INSTRUCTIONS

145-155



ENQUIRY SHEETS

160-163





achieving a **superior** corrosion resistance with **G316's'**

Although stainless steel has an inherent corrosion resistance it cannot be called 'stain free'. In certain conditions it will stain and discolour.

To offer our customers a superior product and greater value for money, all G316 Fastec handrail fittings are manufactured using grade 2205 which has increased levels of 'Chromium', 'Molybdenum' & 'Nickel', above the maximum percentage stated for G316 offering greater corrosion resistance.

We call this superior grade G316's' ('s' means superior). This higher grade offers substantially more corrosion resistance than standard G316, providing greater peace of mind, lower maintenance and less cleaning.



Look for the G316's' logo against our products to see which items are manufactured from 2205.

proven superiority

Sheffield Testing Laboratories Ltd have carried out stringent tests to compare the performance of G316 and G316's' under rigorous salt spray testing. The G316's' fitting outperformed the standard grade G316 fitting, showing no sign of staining over the same test period.

In addition to its unrivalled aesthetic appeal, Fastec G316's' products offer unmatched durability, long life and low maintenance, providing a robust, extra corrosion-resistant solution for a wide range of applications. Your installation will maintain its 'as new' appearance with minimal attention.

Our G316's' fittings offer superior corrosion resistance.





SAFETY TESTING

safety first

Has your balustrade been tested to **BS 6180** 'Barriers in and about buildings'?

Fastec has established the needs of our customers and has recognised that most handrail systems on the market today have not been tested to ensure they meet British Standard side loading criteria.

the fastec response

For your absolute peace of mind, and to create confidence in your installation for you and your customer we have commissioned extensive testing by independent engineers to establish exactly which design, tube size and thickness, upright centres and fittings will be safest for your installation.

The test results show actual 'as installed' results. Please see the following tables for guidance

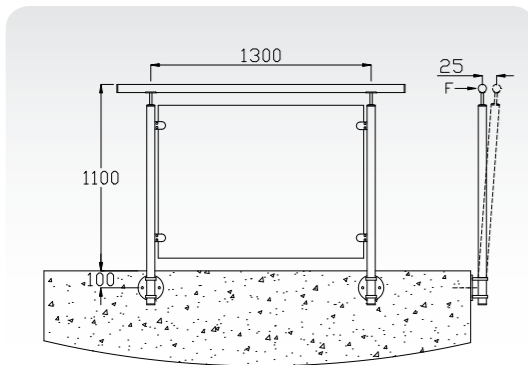


Full test report and
Test Certificates available
to download from
www.fastechandrails.co.uk



test results

System 1 - Side Mounted Balustrade Testing in accordance with BS 6180

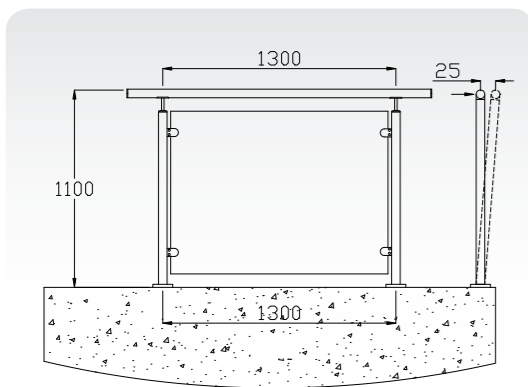


SYSTEM 1 - SIDE FIX BRACKET - MODEL 1010		
42.4 x 2.6mm Diameter Posts	Fastec Code	
S/S Baluster Tube Diameter (mm)	42.4x2.6	34.1900.426.S
S/S Hand Rail Diameter (mm)	42.4x2.0	34.1900.422.S
Handrail Height (mm)	1100	
Baluster Post Spacing (mm)	1300	
Mounting Type	Side Bracket	34.1010.420.S
No. of Fixing Bolts Per Post	2	M12
Handrail Connection	Stem	34.0110.426.S
Infill Type	Glass Panel	10mm
Class Clamps	4 Per Panel	34.3210.420.S
DEFLECTION BEYOND ALLOWABLE LIMIT OCCURRED AT A LOAD OF 1.9KN/m		

SYSTEM 1 - SIDE FIX BRACKET - MODEL 1010		
48.3 x 2.6mm Diameter Posts	Fastec Code	
S/S Baluster Tube Diameter (mm)	48.3x2.6	34.1900.486.S
S/S Hand Rail Diameter (mm)	48.3x2.0	34.1900.482.S
Handrail Height (mm)	1100	
Baluster Post Spacing (mm)	1300	
Mounting Type	Side Bracket	34.1010.480.S
No. of Fixing Bolts Per Post	2	M12
Handrail Connection	Stem	34.0110.486.S
Infill Type	Glass Panel	10mm
Class Clamps	4 Per Panel	34.3210.480.S
DEFLECTION BEYOND ALLOWABLE LIMIT OCCURRED AT A LOAD OF 2.0KN/m		

BS 6180: Table 2		
LOAD (KN/m)	CATEGORY	PASSED
0.22	B&E (ii)	✓
0.36	A (i), B&E (iv)	✓
0.74	A (ii), B&E (v), C3 (viii), (ix)	✓
1.5	C (vi), C1/C2 (vii), C5 (x), D (xii), F/G (xv), F/G (xv)	✓
3.0	C5 (x), (X)	X

System 2 - Surface Mounted Balustrade Testing in accordance with BS 6180

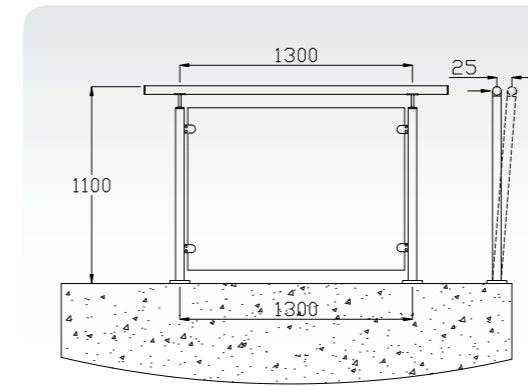


SYSTEM 2 - BASE PLATE - MODEL 1100		
42.4 x 2.6mm Diameter Posts	Fastec Code	
S/S Baluster Tube Diameter (mm)	42.4x2.6	34.1900.426.S
S/S Hand Rail Diameter (mm)	42.4x2.0	34.1900.422.S
Handrail Height (mm)	1100	
Baluster Post Spacing (mm)	1300	
Mounting Type	Flange Base	34.1100.420.R
No. of Fixing Bolts Per Post	3	M10
Handrail Connection	Stem	34.0110.426.S
Infill Type	Glass Panel	10mm
Class Clamps	4 Per Panel	34.3210.420.S
DEFLECTION BEYOND ALLOWABLE LIMIT OCCURRED AT A LOAD OF 2.25KN/m		

SYSTEM 2 - BASE PLATE - MODEL 1100		
48.3 x 2.6mm Diameter Posts	Fastec Code	
S/S Baluster Tube Diameter (mm)	48.3x2.6	34.1900.486.S
S/S Hand Rail Diameter (mm)	48.3x2.0	34.1900.482.S
Handrail Height (mm)	1100	
Baluster Post Spacing (mm)	1300	
Mounting Type	Flange Base	34.1100.480.R
No. of Fixing Bolts Per Post	3	M10
Handrail Connection	Stem	34.0110.486.S
Infill Type	Glass Panel	10mm
Class Clamps	4 Per Panel	34.3210.480.S
DEFLECTION BEYOND ALLOWABLE LIMIT OCCURRED AT A LOAD OF 2.4KN/m		

BS 6180: Table 2		
LOAD (KN/m)	CATEGORY	PASSED
0.22	B&E (ii)	✓
0.36	A (i), B&E (iv)	✓
0.74	A (ii), B&E (v), C3 (viii), (ix)	✓
1.5	C (vi), C1/C2 (vii), C5 (x), D (xii), F/G (xv), F/G (xv)	✓
3.0	C5 (x), (X)	X

System 3 - Surface Mounted Balustrade Testing in accordance with BS 6180

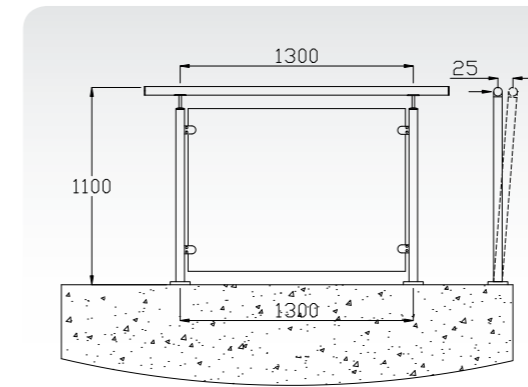


BS 6180: Table 2		
LOAD (KN/m)	CATEGORY	PASSED
0.22	B&E (ii)	✓
0.36	A (i), B&E (iv)	✓
0.74	A (ii), B&E (v), C3 (viii), (ix)	✓
1.5	C (vi), C1/C2 (vii), C5 (x), D (xii), F/G (xv), F/G (xv)	✓
3.0	C5 (x), (X)	X

SYSTEM 3 - BASE PLATE - MODEL 1110		
42.4 x 2.6mm Diameter Posts	Fastec Code	
S/S Baluster Tube Diameter (mm)	42.4x2.6	34.1900.426.S
S/S Hand Rail Diameter (mm)	42.4x2.0	34.1900.422.S
Handrail Height (mm)	1100	
Baluster Post Spacing (mm)	1300	
Mounting Type	Flange Base	34.1110.420.R
No. of Fixing Bolts Per Post	2	M10
Handrail Connection	Stem	34.0110.426.S
Infill Type	Glass Panel	10mm
Class Clamps	4 Per Panel	34.3210.420.S
DEFLECTION BEYOND ALLOWABLE LIMIT OCCURRED AT A LOAD OF 1.9KN/m		

SYSTEM 3 - BASE PLATE - MODEL 1110		
48.3 x 2.6mm Diameter Posts	Fastec Code	
S/S Baluster Tube Diameter (mm)	48.3x2.6	34.1900.486.S
S/S Hand Rail Diameter (mm)	48.3x2.0	34.1900.482.S
Handrail Height (mm)	1100	
Baluster Post Spacing (mm)	1300	
Mounting Type	Flange Base	34.1110.480.R
No. of Fixing Bolts Per Post	2	M10
Handrail Connection	Stem	34.0110.486.S
Infill Type	Glass Panel	10mm
Class Clamps	4 Per Panel	34.3210.480.S
DEFLECTION BEYOND ALLOWABLE LIMIT OCCURRED AT A LOAD OF 2.2KN/m		

System 4 - Surface Mounted Balustrade Testing in accordance with BS 6180

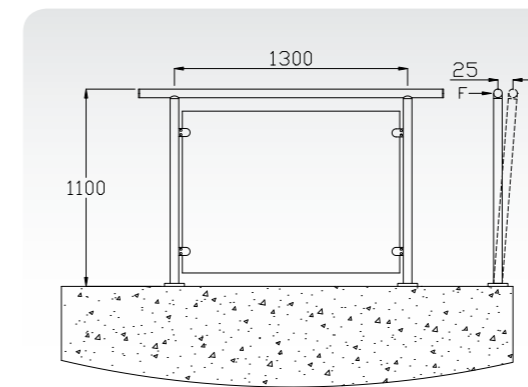


BS 6180: Table 2		
LOAD (KN/m)	CATEGORY	PASSED
0.22	B&E (ii)	✓
0.36	A (i), B&E (iv)	✓
0.74	A (ii), B&E (v), C3 (viii), (ix)	✓
1.5	C (vi), C1/C2 (vii), C5 (x), D (xii), F/G (xv), F/G (xv)	✓
3.0	C5 (x), (X)	X

SYSTEM 4 - BASE PLATE - MODEL 1120		
42.4 x 2.6mm Diameter Posts	Fastec Code	
S/S Baluster Tube Diameter (mm)	42.4x2.6	34.1900.426.S
S/S Hand Rail Diameter (mm)	42.4x2.0	34.1900.422.S
Handrail Height (mm)	1100	
Baluster Post Spacing (mm)	1300	
Mounting Type	Flange Base	34.1120.420.R
No. of Fixing Bolts Per Post	2	M10
Handrail Connection	Stem	34.0110.486.S
Infill Type	Glass Panel	10mm
Class Clamps	4 Per Panel	34.3210.420.S
DEFLECTION BEYOND ALLOWABLE LIMIT OCCURRED AT A LOAD OF 2.05KN/m		

SYSTEM 4 - BASE PLATE - MODEL 1120		
48.3 x 2.6mm Diameter Posts	Fastec Code	
S/S Baluster Tube Diameter (mm)	48.3x2.6	34.1900.486.S
S/S Hand Rail Diameter (mm)	48.3x2.0	34.1900.482.S
Handrail Height (mm)	1100	
Baluster Post Spacing (mm)	1300	
Mounting Type	Flange Base	34.1120.480.R
No. of Fixing Bolts Per Post	2	M10
Handrail Connection	Stem	34.0110.486.S
Infill Type	Glass Panel	10mm
Class Clamps	4 Per Panel	34.3210.480.S
DEFLECTION BEYOND ALLOWABLE LIMIT OCCURRED AT A LOAD OF 2.3KN/m		

System 5 - Surface Mounted Balustrade Testing in accordance with BS 6180



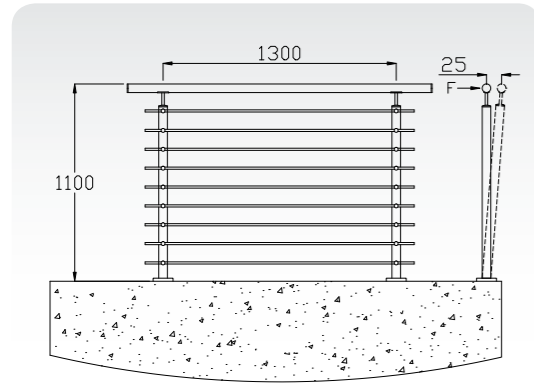
BS 6180: Table 2		
LOAD (KN/m)	CATEGORY	PASSED
0.22	B&E (ii)	✓
0.36	A (i), B&E (iv)	✓
0.74	A (ii), B&E (v), C3 (viii), (ix)	✓
1.5	C (vi), C1/C2 (vii), C5 (x), D (xii), F/G (xv), F/G (xv)	✓
3.0	C5 (x), (X)	X

SYSTEM 5 - BASE PLATE + ADAPTOR		
42.4 x 2.6mm Diameter Posts	Fastec Code	
S/S Baluster Tube Diameter (mm)	42.4x2.6	34.1900.426.S
S/S Hand Rail Diameter (mm)	42.4x2.0	34.1900.422.S
Handrail Height (mm)	1100	
Baluster Post Spacing (mm)	1300	
Mounting Type	Flange Base	34.1100.420.R
No. of Fixing Bolts Per Post	3	M10
Handrail Connection	Connector	34.0731.426.S
Infill Type	Glass Panel	10mm
Class Clamps	4 Per Panel	34.3210.420.S
DEFLECTION BEYOND ALLOWABLE LIMIT OCCURRED AT A LOAD OF 2.0KN/m		

SYSTEM 5 - BASE PLATE + ADAPTOR		
48.3 x 2.6mm Diameter Posts	Fastec Code	
S/S Baluster Tube Diameter (mm)	48.3x2.6	34.1900.486.S
S/S Hand Rail Diameter (mm)	48.3x2.0	34.1900.482.S
Handrail Height (mm)	1100	
Baluster Post Spacing (mm)	1300	
Mounting Type	Flange Base	34.1100.480.R
No. of Fixing Bolts Per Post	3	M10
Handrail Connection	Claved Connector	34.0731.486.S
Infill Type	Glass Panel	10mm
Class Clamps	4 Per Panel	34.3210.480.S
DEFLECTION BEYOND ALLOWABLE LIMIT OCCURRED AT A LOAD OF 2.25KN/m		



System 6 - Surface Mounted Balustrade Testing in accordance with BS 6180 

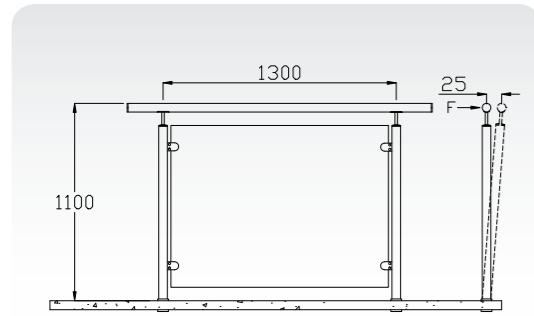


SYSTEM 6 – INFILL BARS		
42.4 x 2.6mm Diameter Posts		Fastec Code
S/S Baluster Tube Diameter (mm)	42.4x2.6	34.1900.426.S
S/S Hand Rail Diameter (mm)	42.4x2.0	34.1900.422.S
Handrail Height (mm)	1100	
Baluster Post Spacing (mm)	1300	
Mounting Type	Flange Base	34.1100.420.R
No. of Fixing Bolts Per Post	3	M10
Handrail Connection	Stem	34.0110.426.S
Infill Type	12mm Bars	34.1900.012.S
Cross Bar Holders	9 Per Post	34.3312.420.S
DEFLECTION BEYOND ALLOWABLE LIMIT OCCURRED AT A LOAD OF 2.25KN/m		

SYSTEM 6 – INFILL BARS		
48.3 x 2.6mm Diameter Posts		Fastec Code
S/S Baluster Tube Diameter (mm)	48.3x2.6	34.1900.486.S
S/S Hand Rail Diameter (mm)	48.3x2.0	34.1900.482.S
Handrail Height (mm)	1100	
Baluster Post Spacing (mm)	1300	
Mounting Type	Flange Base	34.1100.480.R
No. of Fixing Bolts Per Post	3	M10
Handrail Connection	Stem	34.0110.486.S
Infill Type	12mm Bars	34.1900.012.S
Cross Bar Holders	9 Per Post	34.3312.480.S
DEFLECTION BEYOND ALLOWABLE LIMIT OCCURRED AT A LOAD OF 2.2KN/m		

BS 6180: Table 2		
LOAD (KN/m)	CATEGORY	PASSED
0.22	B&E (ii)	✓
0.36	A (i), B&E (iv)	✓
0.74	A (ii), B&E (v), C3 (viii), (ix)	✓
1.5	C (vi), C1/C2 (vii), C5 (x), D (xii), F/G (xv), F/G (xv)	✓
3.0	C5 (x), (X)	X

System 7 - Clamp Fix Balustrade Testing in accordance with BS 6180 

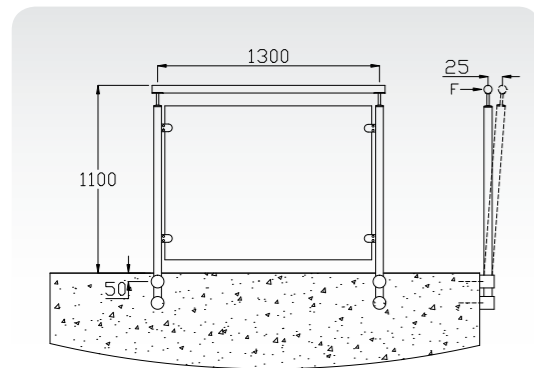


SYSTEM 7 – CLAMP FIX BASE		
42.4 x 2.6mm Diameter Posts		Fastec Code
S/S Baluster Tube Diameter (mm)	42.4x2.6	34.1900.426.S
S/S Hand Rail Diameter (mm)	42.4x2.0	34.1900.422.S
Handrail Height (mm)	1100	
Baluster Post Spacing (mm)	1300	
Mounting Type	Clamp Fix	34.1310.420.S
No. of Fixing Bolts Per Post	1	M12
Handrail Connection	Stem	34.0110.426.S
Infill Type	Glass Panel	10mm
Glass Clamps	4 Per Panel	34.3210.420.S
DEFLECTION BEYOND ALLOWABLE LIMIT OCCURRED AT A LOAD OF 1.4KN/m		

SYSTEM 7 – CLAMP FIX BASE		
48.3 x 2.6mm Diameter Posts		Fastec Code
S/S Baluster Tube Diameter (mm)	48.3x2.6	34.1900.486.S
S/S Hand Rail Diameter (mm)	48.3x2.0	34.1900.482.S
Handrail Height (mm)	1100	
Baluster Post Spacing (mm)	1300	
Mounting Type	Clamp Fix	34.1310.480.S
No. of Fixing Bolts Per Post	1	M12
Handrail Connection	Stem	34.0110.486.S
Infill Type	Glass Panel	10mm
Glass Clamps	4 Per Panel	34.3210.480.S
DEFLECTION BEYOND ALLOWABLE LIMIT OCCURRED AT A LOAD OF 1.55KN/m		

BS 6180: Table 2		
LOAD (KN/m)	CATEGORY	PASSED
0.22	B&E (ii)	✓
0.36	A (i), B&E (iv)	✓
0.74	A (ii), B&E (v), C3 (viii), (ix)	✓
1.5	C (vi), C1/C2 (vii), C5 (x), D (xii), F/G (xv), F/G (xv)	X/✓
3.0	C5 (x), (X)	X


System 8 - Side Mounted Balustrade Testing in accordance with BS 6180 

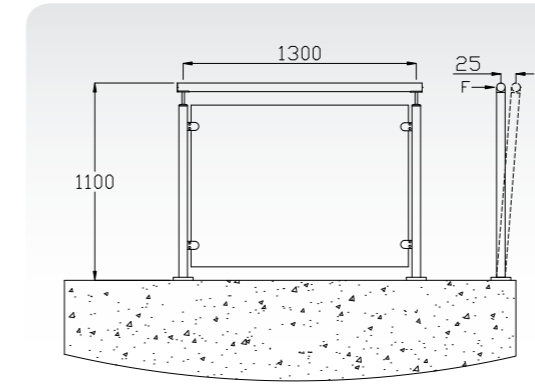


SYSTEM 8 – SIDE FIX BRACKET - MODEL 1050		
42.4 x 2.0mm Diameter Posts		Fastec Code
S/S Baluster Tube Diameter (mm)	42.4x2.6	34.1900.426.S
S/S Hand Rail Diameter (mm)	42.4x2.0	34.1900.422.S
Handrail Height (mm)	1100	
Baluster Post Spacing (mm)	1300	
Mounting Type	Side Bracket	34.1050.420.S
No. of Fixing Bolts Per Post	2	M10
Handrail Connection	Stem	34.0110.426.S
Infill Type	Glass Panel	10mm
Glass Clamps	4 Per Panel	34.3210.420.S
DEFLECTION AT 0.74KN/m LOAD REACHED 19.55mm		

SYSTEM 8 - SIDE FIX BRACKET - MODEL 1050		
42.4 x 2.6mm Diameter Posts		Fastec Code
S/S Baluster Tube Diameter (mm)	48.3x2.6	34.1900.486.S
S/S Hand Rail Diameter (mm)	48.3x2.0	34.1900.482.S
Handrail Height (mm)	1100	
Baluster Post Spacing (mm)	1300	
Mounting Type	Side Bracket	34.1050.480.S
No. of Fixing Bolts Per Post	2	M10
Handrail Connection	Stem	34.0110.486.S
Infill Type	Glass Panel	10mm
Glass Clamps	4 Per Panel	34.3210.480.S
DEFLECTION AT 0.74KN/m LOAD REACHED 21.94mm		

BS 6180: Table 2		
LOAD (KN/m)	CATEGORY	PASSED
0.22	B&E (ii)	✓
0.36	A (i), B&E (iv)	✓
0.74	A (ii), B&E (v), C3 (viii), (ix)	✓
1.5	C (vi), C1/C2 (vii), C5 (x), D (xii), F/G (xv), F/G (xv)	X
3.0	C5 (x), (X)	X


System 9 - Surface Mounted Balustrade Testing in accordance with BS 6180 

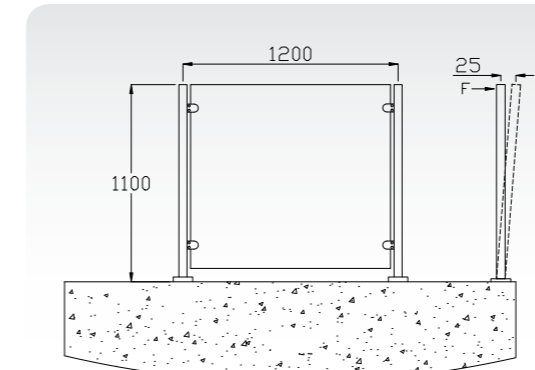


SYSTEM 9 – GLUED BASE PLATE		
48.3 x 2.0mm Diameter Posts		Fastec Code
S/S Baluster Tube Diameter (mm)	48.3x2.0	34.1900.482.S
S/S Hand Rail Diameter (mm)	48.3x2.0	34.1900.482.S
Handrail Height (mm)	1100	
Baluster Post Spacing (mm)	1300	
Mounting Type	Flange Base	34.1105.482.R
No. of Fixing Bolts Per Post	3	M10
Handrail Connection	Stem	34.0110.482.S
Infill Type	Glass Panel	10mm
Glass Clamps	4 Per Panel	34.3210.480.S
DEFLECTION AT 0.74KN/m LOAD REACHED 19.26mm		

SYSTEM 9 – GLUED BASE PLATE		
48.3 x 2.6mm Diameter Posts		Fastec Code
S/S Baluster Tube Diameter (mm)	48.3x2.6	34.1900.486.S
S/S Hand Rail Diameter (mm)	48.3x2.0	34.1900.482.S
Handrail Height (mm)	1100	
Baluster Post Spacing (mm)	1300	
Mounting Type	Flange Base	34.1105.486.R
No. of Fixing Bolts Per Post	3	M10
Handrail Connection	Stem	34.0110.486.S
Infill Type	Glass Panel	10mm
Glass Clamps	4 Per Panel	34.3210.480.S
DEFLECTION AT 0.74KN/m LOAD REACHED 17.94mm		

BS 6180: Table 2		
LOAD (KN/m)	CATEGORY	PASSED
0.22	B&E (ii)	✓
0.36	A (i), B&E (iv)	✓
0.74	A (ii), B&E (v), C3 (viii), (ix)	✓
1.5	C (vi), C1/C2 (vii), C5 (x), D (xii), F/G (xv), F/G (xv)	X
3.0	C5 (x), (X)	X

System 11 - Surface Mounted Balustrade Testing in accordance with BS 6180 

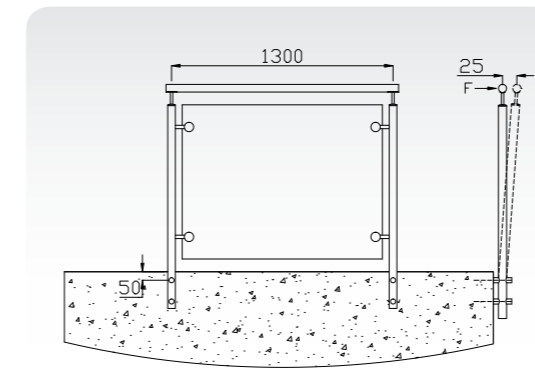


SYSTEM 11 – POST ONLY SYSTEM		
42.4 x 2.0mm Diameter Posts		Fastec Code
S/S Post Tube Diameter (mm)	42.4x2.0	13.1900.422.S
Post Height (mm)	1100	
Baluster Post Spacing (mm)	1200	
Mounting Type	Flange Base	34.1100.420.R
No. of Fixing Bolts Per Post	3	M10
Infill Type	Glass Panel	10mm
Glass Clamps	4 Per Panel	34.3210.420.S
DEFLECTION AT 0.74KN/m LOAD REACHED 22.91mm		

SYSTEM 11 – POST ONLY SYSTEM		
48.3 x 2.0mm Diameter Posts		Fastec Code
S/S Post Tube Diameter (mm)	48.3x2.0	13.1900.482.S
Post Height (mm)	1100	
Baluster Post Spacing (mm)	1200	
Mounting Type	Flange Base	34.1100.480.R
No. of Fixing Bolts Per Post	3	M10
Infill Type	Glass Panel	10mm
Glass Clamps	4 Per Panel	34.3210.480.S
DEFLECTION AT 0.74KN/m LOAD REACHED 17.12mm		

BS 6180: Table 2		
LOAD (KN/m)	CATEGORY	PASSED
0.22	B&E (ii)	✓
0.36	A (i), B&E (iv)	✓
0.74	A (ii), B&E (v), C3 (viii), (ix)	✓
1.5	C (vi), C1/C2 (vii), C5 (x), D (xii), F/G (xv), F/G (xv)	X
3.0	C5 (x), (X)	X

System 12 - Clamp Fix Balustrade Testing in accordance with BS 6180 



SYSTEM 12 – SIDE FIX BRACKET – MODEL 1060		
42.4 x 2.6mm Diameter Posts		Fastec Code
S/S Baluster Tube Diameter (mm)	42.4x2.6	34.1900.426.S
S/S Hand Rail Diameter (mm)	42.4x2.0	34.1900.422.S
Handrail Height (mm)	1100	
Baluster Post Spacing (mm)	1300	
Mounting Type	Side Bracket	34.1060.420.S
No. of Fixing Bolts Per Post	2	M10
Handrail Connection	Blade Stem	34.0150.426.S
Infill Type	Glass Panel	10mm
Glass Clamps	4 Per Panel	34.3900.420.S
DEFLECTION AT 0.74KN/m LOAD REACHED 24.91mm		

SYSTEM 12 – SIDE FIX BRACKET – MODEL 1060		
48.3 x 2.6mm Diameter Posts		Fastec Code
S/S Baluster Tube Diameter (mm)	48.3x2.6	34.1900.486.S
S/S Hand Rail Diameter (mm)	48.3x2.0	34.1900.482.S
Handrail Height (mm)	1100	
Baluster Post Spacing (mm)	1300	
Mounting Type	Side Bracket	34.1060.480.R
No. of Fixing Bolts Per Post	2	M10
Handrail Connection	Blade Stem	34.0150.486.S
Infill Type	Glass Panel	10mm
Glass Clamps	4 Per Panel	34.3900.480.S
DEFLECTION AT 0.74KN/m LOAD REACHED 20.45mm		

BS 6180: Table 2		
LOAD (KN/m)	CATEGORY	PASSED
0.22	B&E (ii)	✓
0.36	A (i), B&E (iv)	✓
0.74	A (ii), B&E (v), C3 (viii), (ix)	✓
1.5	C (vi), C1/C2 (vii), C5 (x), D (xii), F/G (xv), F/G (xv)	X
3.0	C5 (x), (X)	X





DESIGNED FOR INSTALLERS

The Fast-Track and Kwik-Lock systems have been designed with the installer in mind offering a unique system that blends mechanical and pressure fitting into one balustrade system. This unique combination will save time and money by simplifying the installation, decreasing installation time and increasing hole centres reducing the number of holes and bolts required.

Installation Instructions

Model 1010	Page 146
Model 1020	Page 147
Model 2010	Page 148
Model 2020	Page 149
Model 3010	Page 150
Posi-Glaze	Page 154
Mega Grip	Page 155

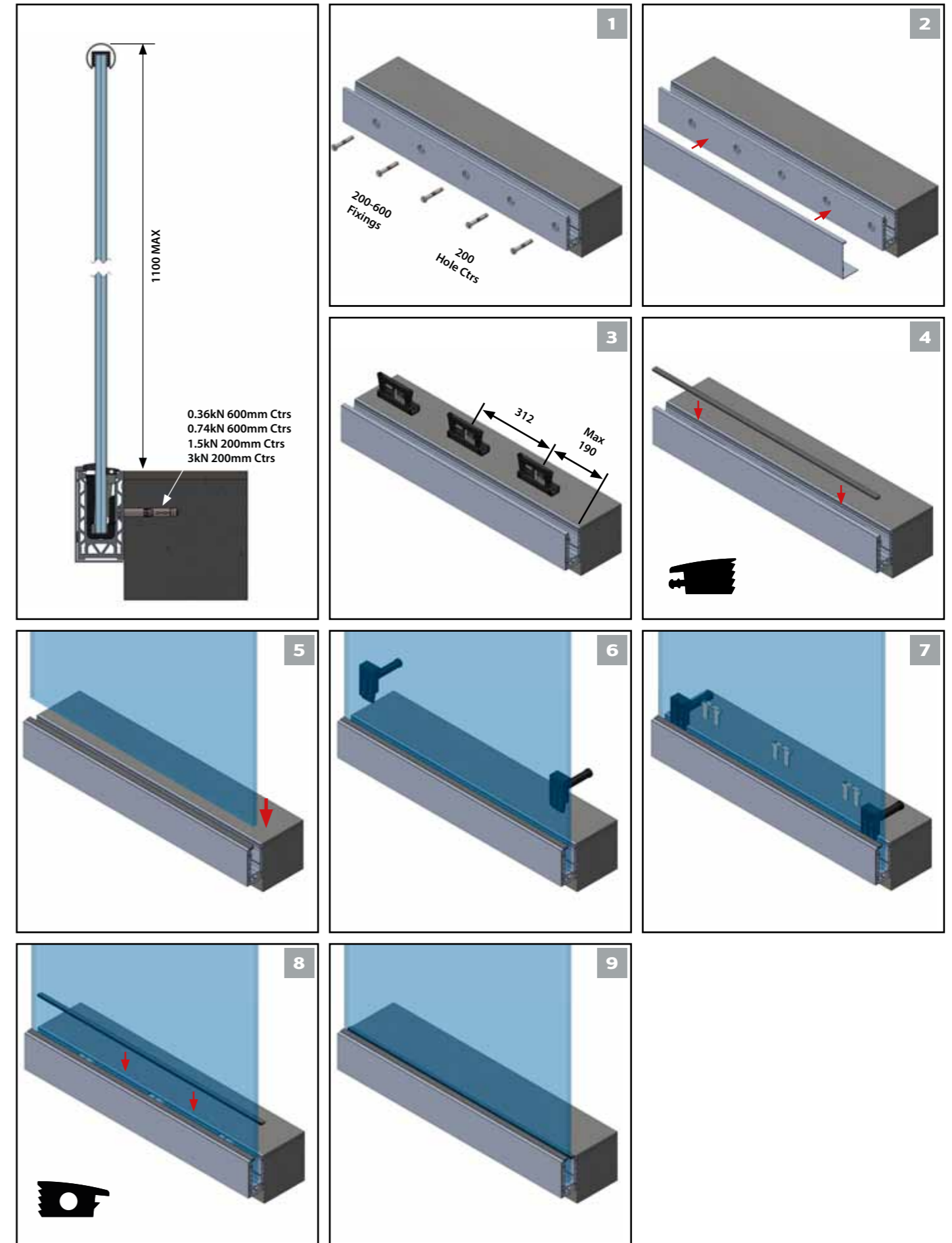
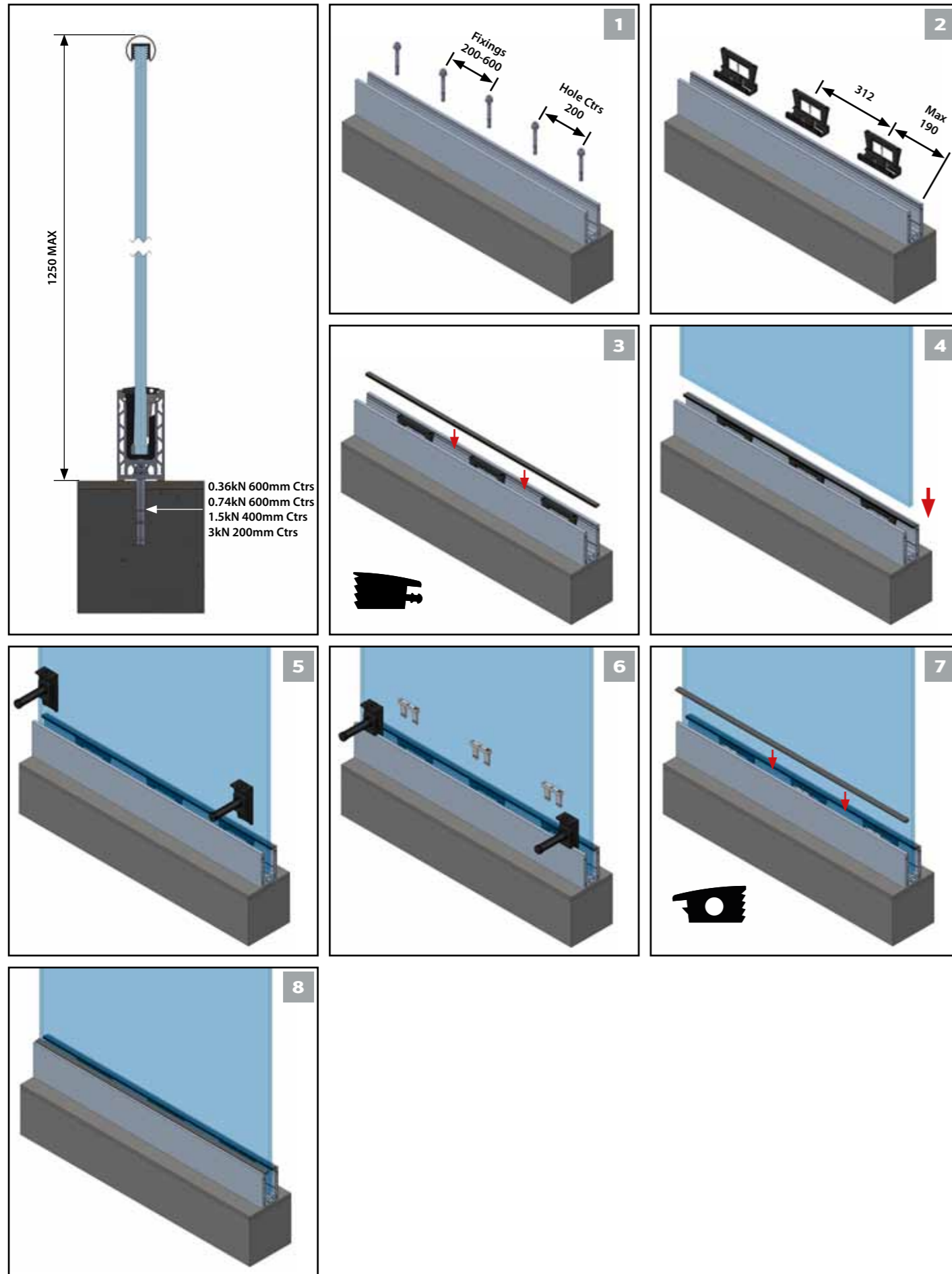


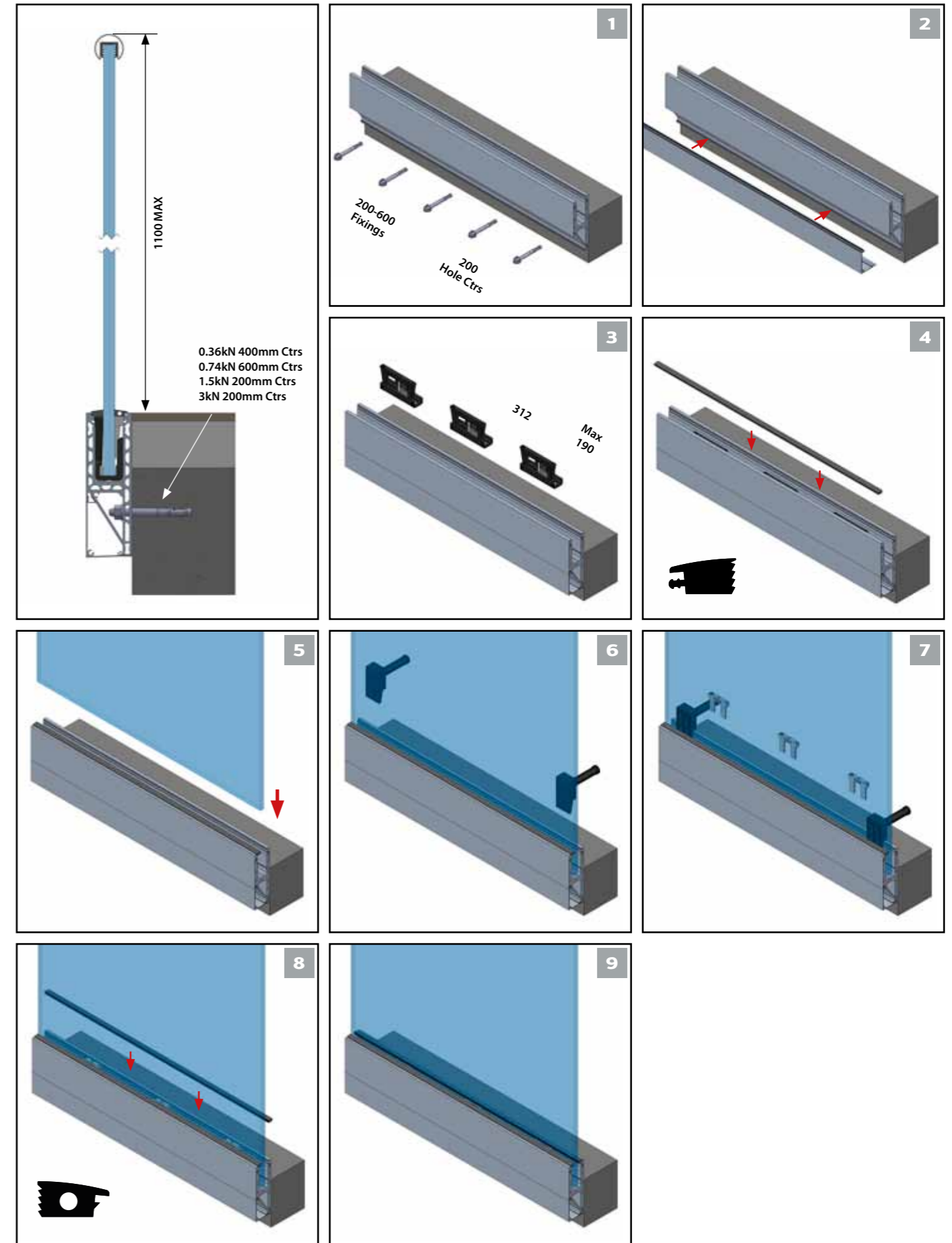
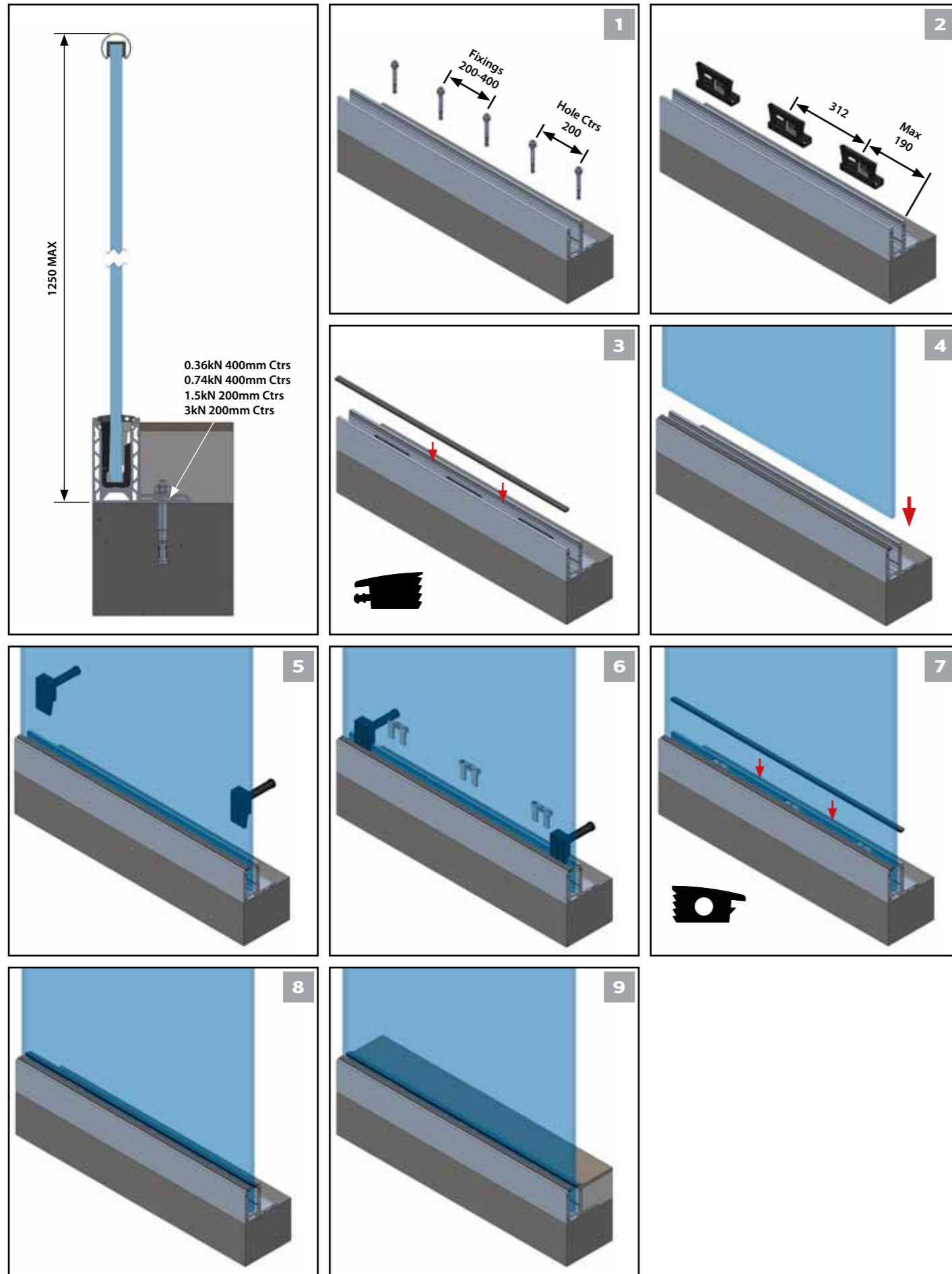
Fast-Track[®]
Channel System

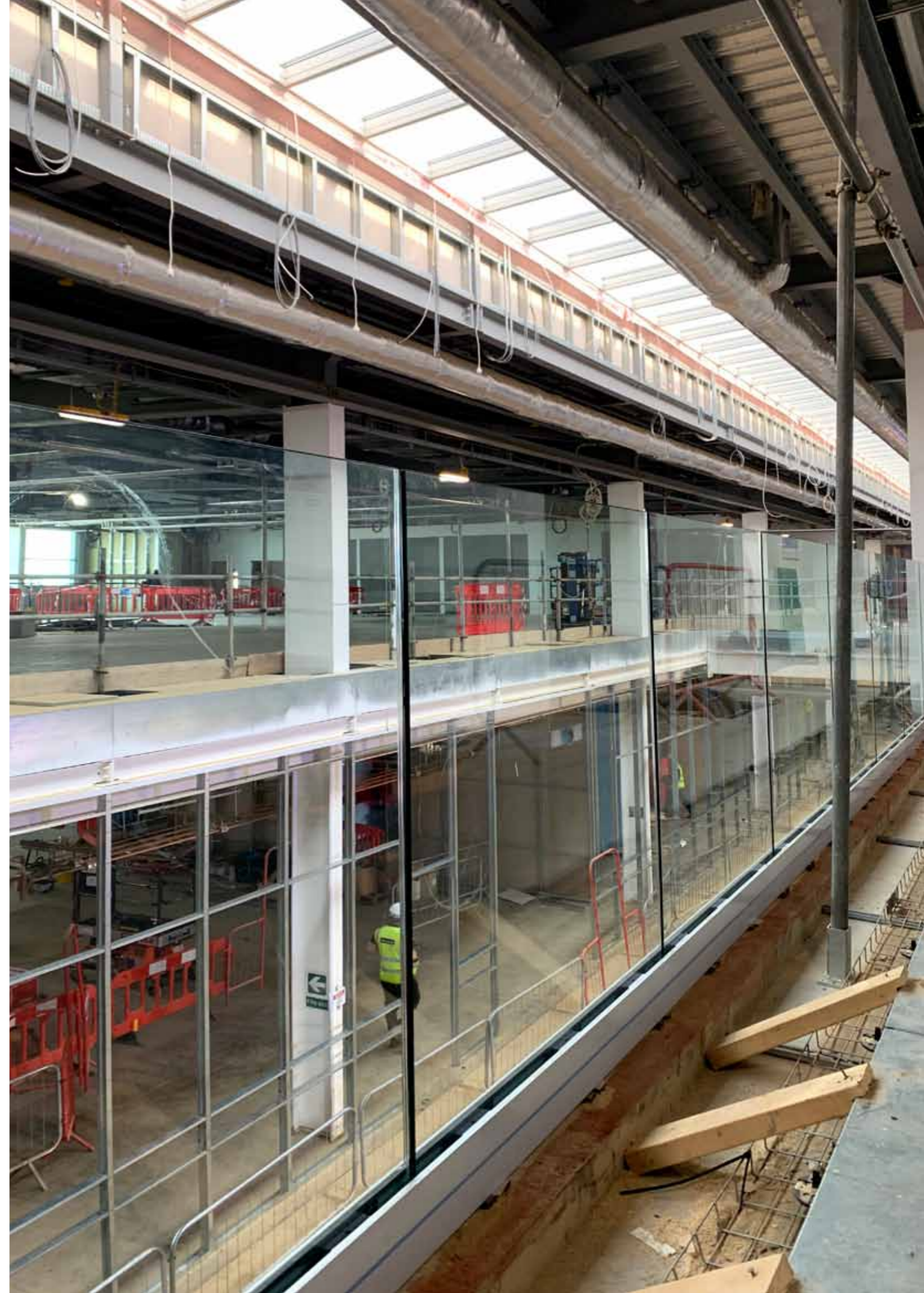
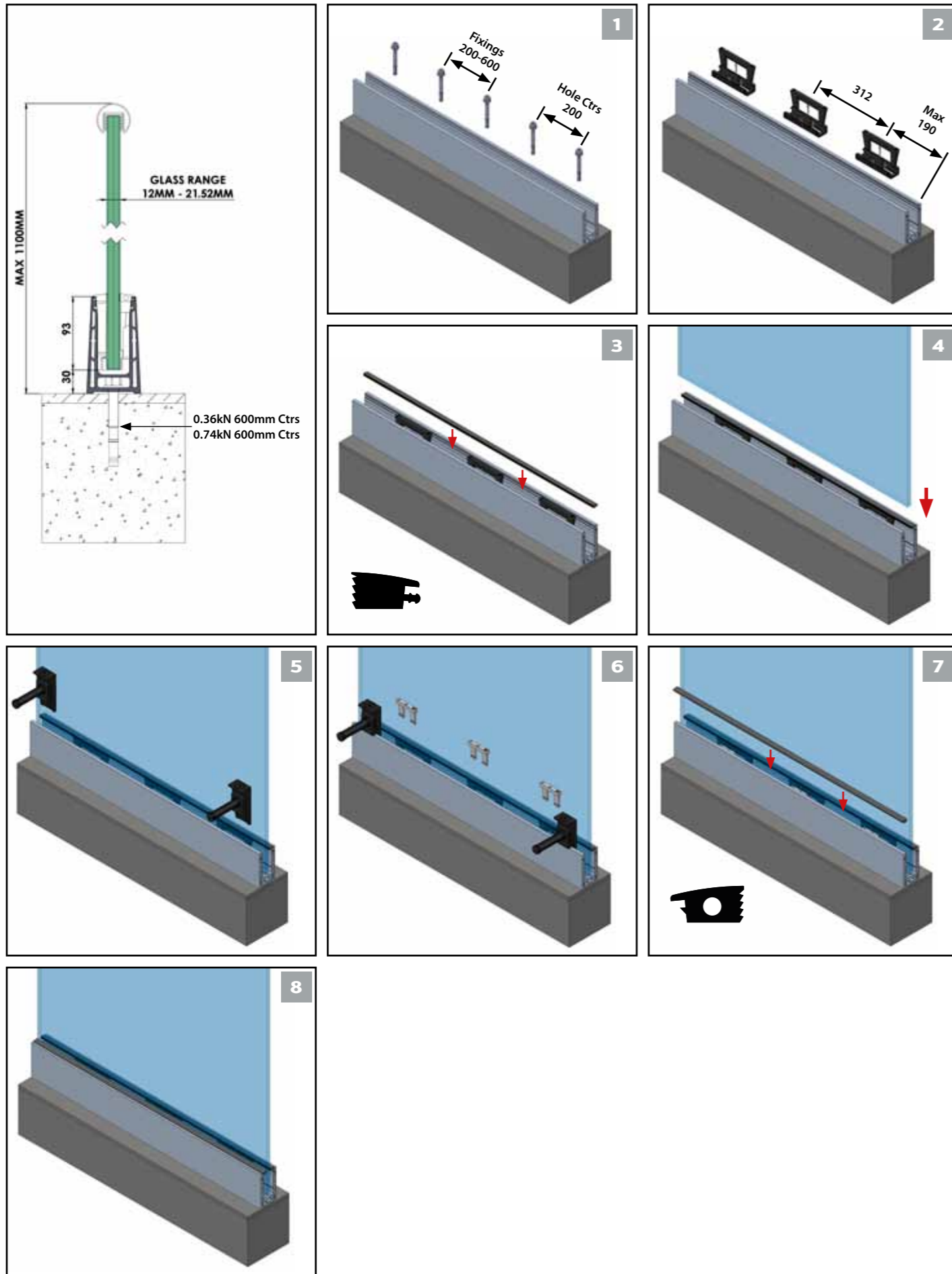
Kwik-Lock[®]
Dialed In Adjustment

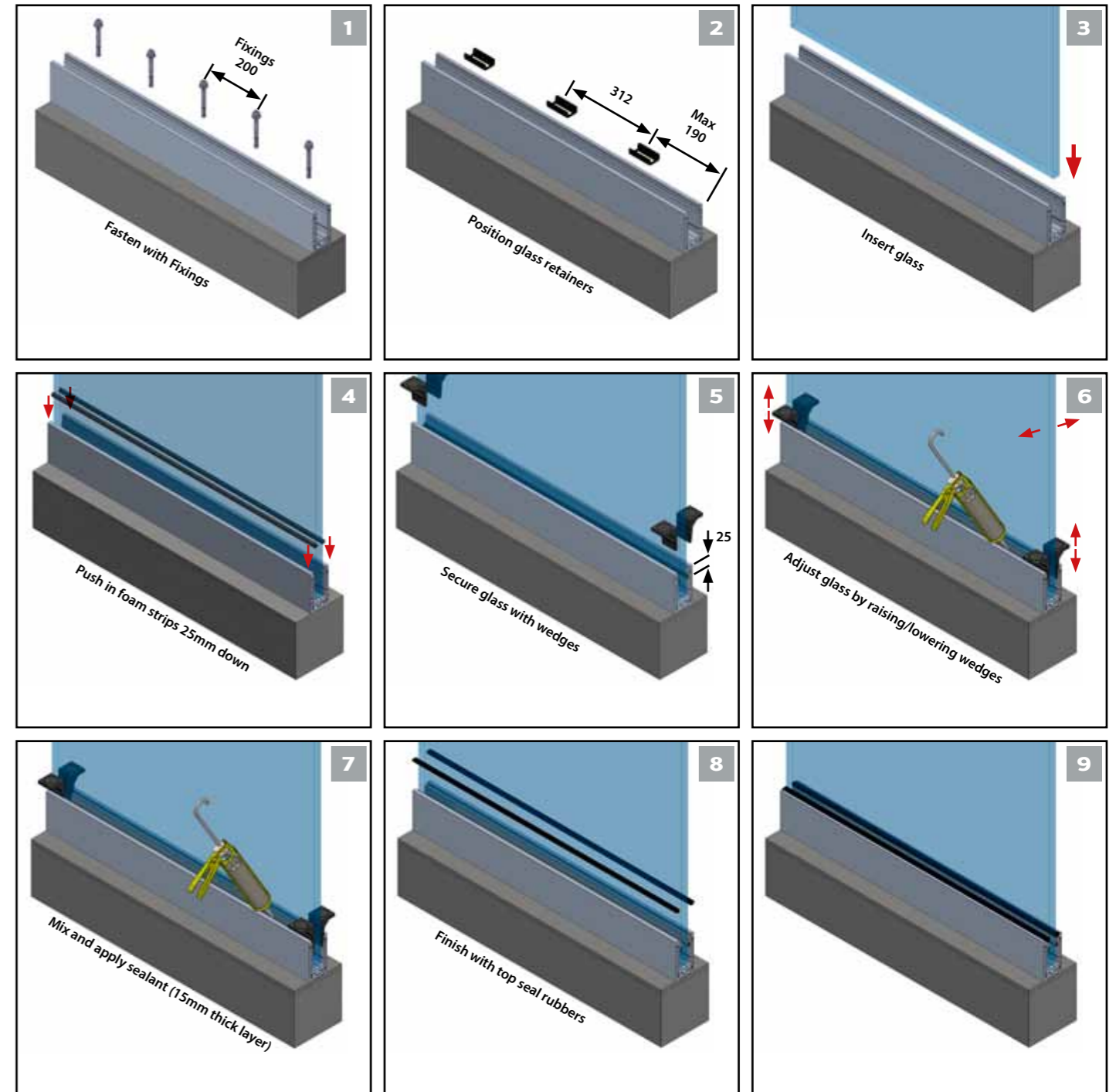
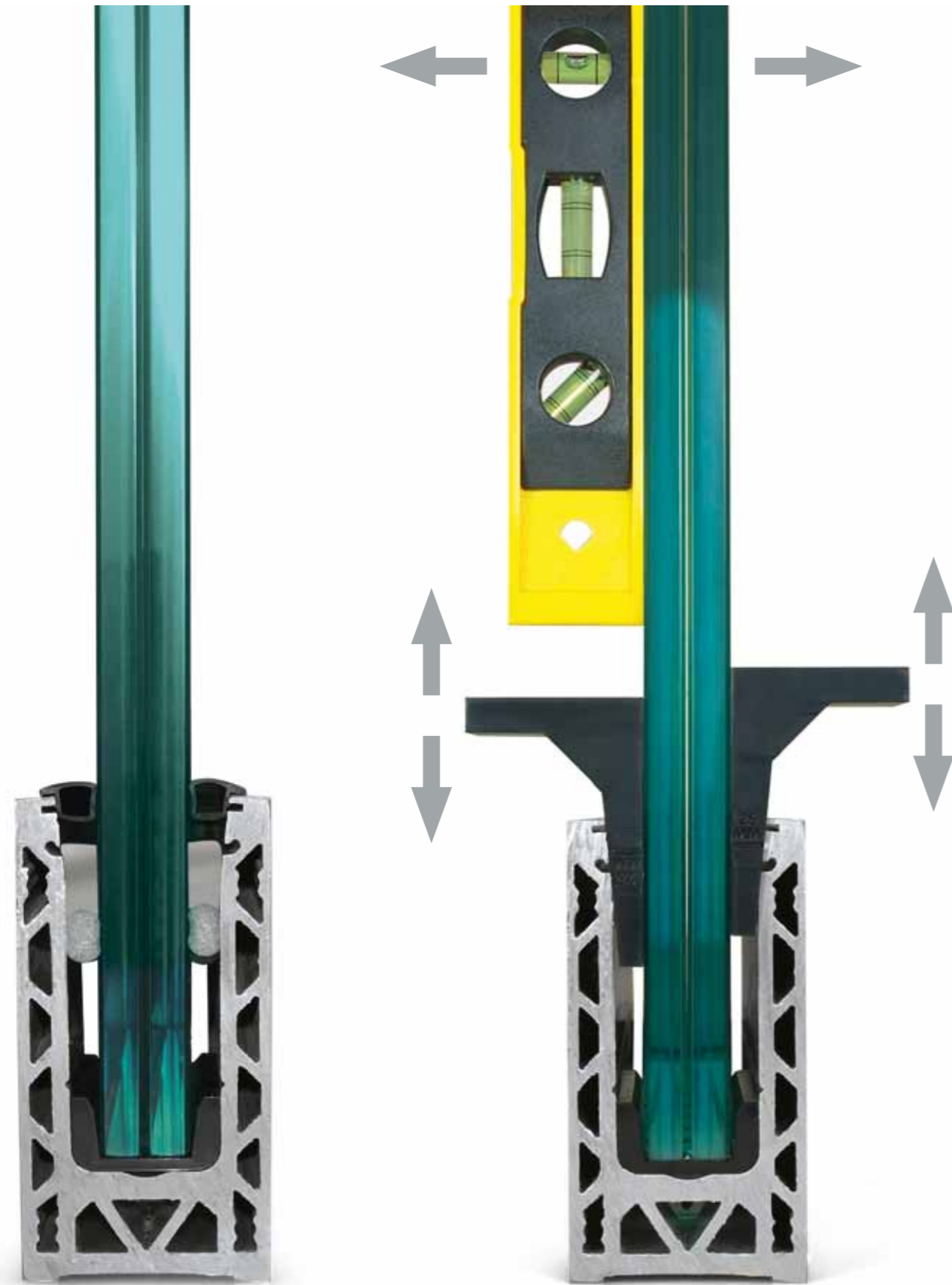
Kwik-Lock[®]
MAX





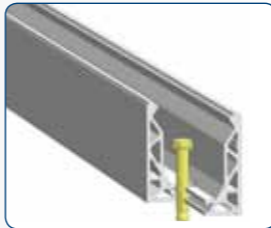






1 Base Rail

The aluminium base rail should be placed onto its designated position and the holes marked onto the substrate for drilling. The channel should then be levelled and lined up with the use of shims. Once the shoe is plumb and level, the fixings should be tightened up to make the channel rigid. The fixings must be tightened in accordance with the manufacturers instructions.



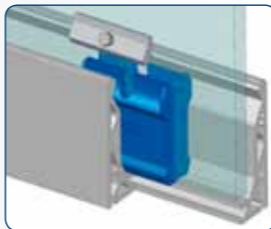
2 Glass Slip Clamp Fitting

The glass slip clamps need to be placed on the bottom of the glass. This requires lifting the glass off the floor sufficiently or turning the glass upside down to squeeze these on. The slip clamps require spacing so that four are used per metre. The clamps placed on either end of the glass should be located 125mm in from the edge of the glass and then 250mm to the next clamp. The glass can now be placed into the channel.



3 Glass Clamp Bar Fitting

Once the glass is fitted in place, you now need to place the clamp bars into the top of each glass slip clamp. First you must screw the bolt into the clamp bar until the head of the bolt just reaches the bar. The shaped side of the bar will sit nearest to the glass. You can now sit each clamp bar into the glass slip clamps.



4 Getting Glass Plumb and Tightening Bolts

You now need to place a spirit level on the glass to get the glass in the correct position. The bolts now need tightening into the channel equally to keep the same pressures on the glass. To adjust the glass into position you must unscrew the bolts back onto the channel.

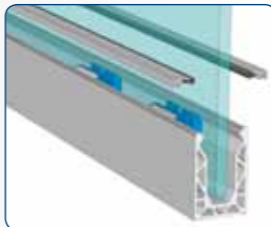
To achieve the correct positioning firstly square up and level each end of the glass and tighten. Then tighten the intermediate clamp bars.

Once the bolts have pinched, they now need a half turn to securely hold the glass in place. For extra protection we would suggest the use of an adhesive on the thread of the bolts.



5 Top Seal Strip

The gasket requires feeding into the smaller profile supplied, you must not stretch the gasket. Once the gasket is flush with each end of the strip it now needs to be clipped onto the top of the channel, this can be done by pressing firmly down on the profile. Working from one end to the other is recommended.



6 Cleaning

Once you are happy everything is in place and the job is complete you need to clean the glass and channel. We recommend the use of any standard glass cleaner so long as it is not abrasive. We also recommend a soft sponge or cloth, again to avoid any risk of scratching.

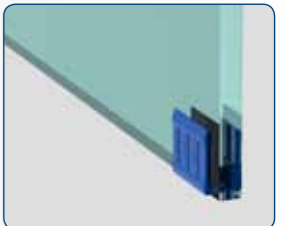
1 Base Rail

The aluminium base rail should be placed onto its designated position and the holes marked onto the substrate for drilling. Once the shoe is level, the fixings should be tightened up to make the channel rigid. The fixings must be tightened in accordance with the manufacturers instructions.



2 Glass Slip Clamp Fitting

The glass slip clamps need to be placed on the bottom of the glass. This requires lifting the glass off the floor sufficiently or applying to the top of the glass and rotating into the channel. The slip clamps require spacing so that four are used per metre. The clamps placed on either end of the glass should be located 125mm from the edge of the glass and then 250mm centres. The glass can now be placed into the channel.



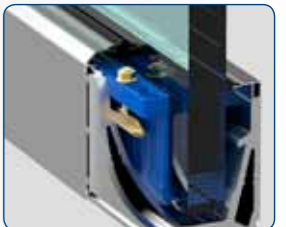
3 Preparing the Mega-Hook

The Clamp bar needs to be slid over the screw threaded end and the bolt loosely tightened so the bar can easily spin into the correct position.



4 Glass Clamp Bar Fitting

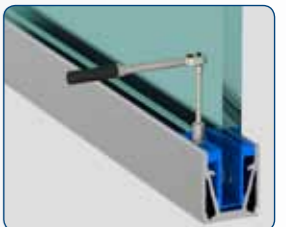
You now need to place the Grapple hooks into the top of each glass slip clamp. Lower the hook next to the plastic clamp, and hook into the metal lip. The angled side of the plastic clamp bar must face the angled glass clamp. As shown in the image to the right.



5 Getting the glass level

You now need to get the glass level. Manoeuvre the glass whilst the bolts are loose until it is in the correct position.

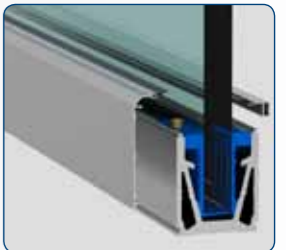
Now the bolts can be tightened, firstly finger tighten each side before using a ratchet/torque bar. The bolts must be tightened to 15Nm.



6 Top Seal Strip/Cladding

The gasket requires feeding into the Side cladding and/or top bead supplied, you must not stretch the gasket. Once the gasket is flush with each end of the strip it now needs to be clipped onto the top of the channel, this can be done by pressing firmly down on the profile. Working from one end to the other.

The Side cladding has a lower clip which must line in the channel it must then be firmly pushed at the top towards the glass. Addition securing tape can be applied.



7 Cleaning

Once you are happy everything is in place and the job is complete, you need to clean the glass and channel. Use a non abrasive glass cleaner on the glass and warm soapy water on the MegaGrip channel. We also recommend a soft sponge or cloth, again to avoid damaging the channel or glass.



CARE AND MAINTENANCE

care and maintenance

To gain the maximum benefits from the Fastec range, the correct care and maintenance procedures should be followed during and after installation.

To achieve maximum corrosion resistance and appearance, the surface of the stainless steel must be kept clean; this is extremely important when used in an external environment.

It is necessary to clean your installation immediately after fitting is complete using Fastec Stain Remover. Following this, periodical cleaning with Fastec Stainless Steel Cleaner will help form a protective barrier against the atmosphere.

Installations in an external environment will require a cleaning schedule to be followed, this is a periodic cleaning off approximately every 3-6/6-12 months thereafter.

For installations in **aggressive environments**, for example coastal regions and swimming pools, you will need to take particular care with cleaning and maintenance to inhibit corrosion. The cleaning schedules relating to these types of areas are much more frequent than standard external installations. In addition, we strongly recommend that only mirror polished items are installed in such environments due to their higher corrosion resistant finish.

cleaning methods

To assist with care and maintenance we provide Fastec Stainless Steel Cleaner and Fastec Stain Remover.

Fastec Stainless Steel Cleaner is a general purpose stainless steel cleansing spray. It can be used in conjunction with Fastec Stain Remover or as a cleaning product in its own right to clean and shine stainless steel.

Fastec Stain Remover is an acid based cleaner which temporarily strips the stainless steel of its passive layer so any contaminants can be removed. It should then be washed off with water which neutralises the acid and causes the passive layer to regenerate on the surface of the stainless steel. This surface should be periodically protected with Fastec Stainless Steel Cleaner.

Hints and tips

Always clean your installation once it has been completed. This is necessary to remove any contaminants on the surface of the material to prevent future problems and leaves a finished look behind for your customer.

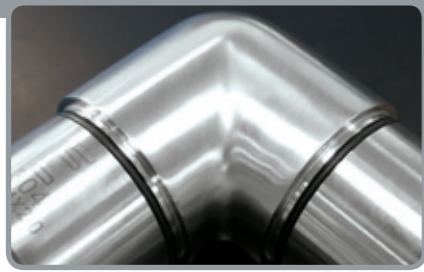
For outstanding results, use Fastec Stainless Steel Cleaner for internal installations and Fastec Stain Remover followed by Fastec Stainless Steel Cleaner for external applications.

Always use a lint-free cloth, never use an abrasive cleaner or cloth.

It is important to remember that masonry and brick cleaners contain acid, so protect any stainless steel surfaces during their use. Any splashes should be washed off straight away with water.

► **Further information on cleaning schedules and maintenance can be found on our website.**





customer care

Our focus is your business.

Fastec is a customer-focused company. We take a meticulous approach to serving our customers, from initial enquiry through to delivery and after-sales services.

Providing the products and services our customers require is the key to our success. That's why we are proactive in anticipating the evolving needs of our customers.

Our highly experienced and knowledgeable technical experts will quickly understand the nature of your project and your precise requirements.

We are happy to deal with all your questions and enquiries and our experts will be able to guide you through our extensive range of products and the ordering process – whether you're working on a small domestic project or a substantial commercial or architectural development.

Above all, it is the level of personal service we provide, backed by our experience, knowledge and expertise, that ensures we always meet and frequently exceed our customers' expectations.

quality

We aim to provide the best quality products within the market place. To ensure this, all the fittings within the Fastec range are manufactured and inspected to meet your high standards.

Fastec Handrail Systems has gained BS EN ISO9001: 2008 accreditation ensuring you benefit from exceptional product quality and service levels.

This accreditation guarantees that we conform to stringent quality control procedures. Ensuring we get it right first time, every time – so you will too.



RS24788

information



Delivery

Fastec dispatch all orders via carrier on a next day service.

Orders must be received before 2.00pm to be dispatched same day.

Upgraded timed delivery services are available (ie. before noon, before 10.30am, Saturday am) at an additional cost.

Off-shore and some Scottish Highlands locations are only available on a 2-3 day service.



Price /Payment

All prices quoted are net, VAT will be added.

Delivery charges are in addition to the fitting prices and will be stated at time of quoting/ordering.

Accounts not settled within the agreed time period will be placed on stop and no further goods will be dispatched until the overdue monies are settled.



Returns

Goods will only be accepted if they are received in a resaleable condition and in their original packaging.

Notification of a return must be made in writing in the first instance and must be received within 1 month after receipt.

A handling fee will be charged, the amount will be confirmed after a notification has been received.

Goods ordered incorrectly or in excess must be returned by the customer at their own expense.



Claims

Notice of any claim relating to shortages or damaged goods shall be made to the company in writing within 48 hours of receipt of goods. In the event of loss or non-delivery of the goods the customer shall notify the company in writing within 3 days of receiving the advice note.

All goods received damaged on delivery must be signed for as 'Damaged', claims for goods received as damaged but signed for as 'Received in good condition' will not be accepted.

Quantities must be checked on delivery before signing as accepted.

Terms & Conditions

We reserve the right to change any products within this brochure relating to the design and measurements without prior warning.

Products may be updated or revised and actual products may be slightly different to the items illustrated.

Different shapes and product types may have slightly different polishing matches due to the techniques and processes used.

We cannot be held responsible for printing errors.

The company shall not be responsible for any expenditure losses. Any compensation is limited to the value of the goods.

► **Our full terms & conditions are available on request.**



Base

- MOD: 1100
- MOD: 1110
- MOD: 1120

Specials form

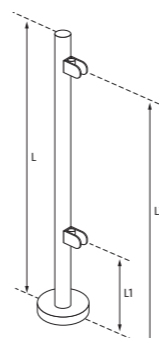
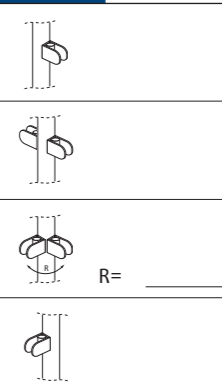
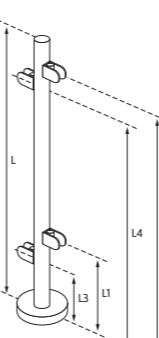
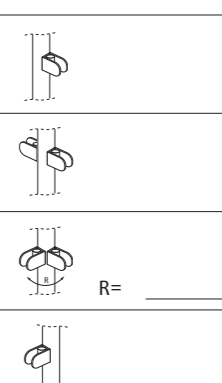
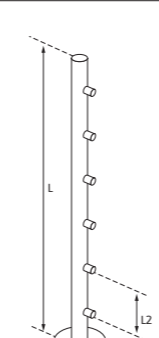
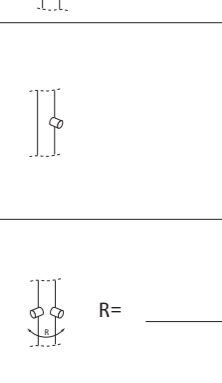
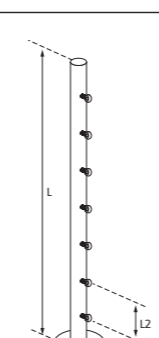
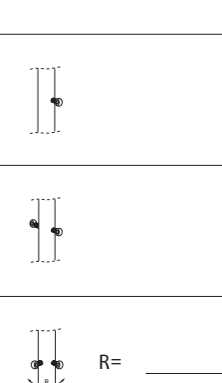
- Ø 42,4 x 2,0 mm
- Ø 42,4 x 2,6 mm
- Ø 48,3 x 2,0 mm
- Ø 48,3 x 2,6 mm

Grade

- 304
- 316

Enquiry Sheets

Posts Made To Your Requirements

Type	Quantity
<p>Glass clamps</p>  <p>L = 980 mm <input type="checkbox"/> L = 1060 mm <input type="checkbox"/> or L: _____ mm L1: _____ mm L2: _____ mm</p> <p>Glass clamp Glass thickness</p> <p>MOD: 30 <input type="checkbox"/> 8 mm <input type="checkbox"/> MOD: 31 <input type="checkbox"/> 8,76 mm <input type="checkbox"/> MOD: 32 <input type="checkbox"/> 10 mm <input type="checkbox"/> MOD: 33 <input type="checkbox"/> 10,76 mm <input type="checkbox"/> MOD: 34 <input type="checkbox"/> 11,52 mm <input type="checkbox"/> MOD: 35 <input type="checkbox"/> 12 mm <input type="checkbox"/> MOD: 38 <input type="checkbox"/> 15 mm <input type="checkbox"/></p>	
<p>Glass clamps</p>  <p>L = 980 mm <input type="checkbox"/> L = 1060 mm <input type="checkbox"/> or L: _____ mm L1: _____ mm L2: _____ mm L3: _____ mm L4: _____ mm</p> <p>Glass clamp Glass thickness</p> <p>MOD: 30 <input type="checkbox"/> 8 mm <input type="checkbox"/> MOD: 31 <input type="checkbox"/> 8,76 mm <input type="checkbox"/> MOD: 32 <input type="checkbox"/> 10 mm <input type="checkbox"/> MOD: 33 <input type="checkbox"/> 10,76 mm <input type="checkbox"/> MOD: 34 <input type="checkbox"/> 11,52 mm <input type="checkbox"/> MOD: 35 <input type="checkbox"/> 12 mm <input type="checkbox"/> MOD: 38 <input type="checkbox"/> 15 mm <input type="checkbox"/></p>	
<p>Crossbar holders</p>  <p>L = 980 mm <input type="checkbox"/> L = 1060 mm <input type="checkbox"/> or L: _____ mm L1: _____ mm L2: _____ mm</p> <p>Holes per post</p> <p>12 mm Infill bar <input type="checkbox"/> 16 mm Infill bar <input type="checkbox"/></p>	
<p>Wire-tec cable system</p>  <p>L = 980 mm <input type="checkbox"/> L = 1060 mm <input type="checkbox"/> or L: _____ mm L1: _____ mm L2: _____ mm</p> <p>Eye bolts per post</p> <p>3,2 mm Wire <input type="checkbox"/> 6,0 mm Wire <input type="checkbox"/></p>	

Sender

Name: _____
Tel: _____
Fax: _____
Email: _____

Company: _____
Street: _____
Town: _____
Postcode: _____

Base

MOD: 1000
 MOD: 1010
 MOD: 1020
 MOD: 1030

Specials form

Ø 42,4x2,0 mm
 Ø 42,4x2,6 mm
 Ø 48,3x2,0 mm
 Ø 48,3x2,6 mm

Grade

304
 316

Type

Type	Glass clamps	Glass clamp	Glass thickness	Quantity
	Glass clamps	Glass clamp	Glass thickness	
	L: _____ mm L1: _____ mm L2: _____ mm	MOD: 30 <input type="checkbox"/> MOD: 31 <input type="checkbox"/> MOD: 32 <input type="checkbox"/> MOD: 33 <input type="checkbox"/> MOD: 34 <input type="checkbox"/> MOD: 35 <input type="checkbox"/> MOD: 38 <input type="checkbox"/>	8 mm <input type="checkbox"/> 8,76 mm <input type="checkbox"/> 10 mm <input type="checkbox"/> 10,76 mm <input type="checkbox"/> 11,52 mm <input type="checkbox"/> 12 mm <input type="checkbox"/> 15 mm <input type="checkbox"/>	
	Glass clamps	Glass clamp	Glass thickness	
	L=980 mm <input type="checkbox"/> L=1060 mm <input type="checkbox"/> or L: _____ mm L1: _____ mm L2: _____ mm L3: _____ mm L4: _____ mm	MOD: 30 <input type="checkbox"/> MOD: 31 <input type="checkbox"/> MOD: 32 <input type="checkbox"/> MOD: 33 <input type="checkbox"/> MOD: 34 <input type="checkbox"/> MOD: 35 <input type="checkbox"/> MOD: 38 <input type="checkbox"/>	8 mm <input type="checkbox"/> 8,76 mm <input type="checkbox"/> 10 mm <input type="checkbox"/> 10,76 mm <input type="checkbox"/> 11,52 mm <input type="checkbox"/> 12 mm <input type="checkbox"/> 15 mm <input type="checkbox"/>	
	Crossbar holders	<input type="checkbox"/> Holes per post		
	L: _____ mm L1: _____ mm L2: _____ mm	12 mm Infill bar <input type="checkbox"/> 16 mm Infill bar <input type="checkbox"/>		
	Wire-tec cable system	<input type="checkbox"/> Eye bolts per post		
	L: _____ mm L1: _____ mm L2: _____ mm	3,2 mm Wire <input type="checkbox"/> 6,0 mm Wire <input type="checkbox"/>		

Sender

Name: _____ Company: _____
 Tel: _____ Street: _____
 Fax: _____ Town: _____
 Email: _____ Postcode: _____

Specials form

Ø 42,4x2,6 mm
 Ø 48,3x2,6 mm

Grade

304
 316

Type

Type	Glass clamps	Glass clamp	Glass thickness	Quantity
	Glass clamps	Glass clamp	Glass thickness	
	L=980 mm <input type="checkbox"/> L=1060 mm <input type="checkbox"/> or L: _____ mm L1: _____ mm L2: _____ mm	MOD: 30 <input type="checkbox"/> MOD: 31 <input type="checkbox"/> MOD: 32 <input type="checkbox"/> MOD: 33 <input type="checkbox"/> MOD: 34 <input type="checkbox"/> MOD: 35 <input type="checkbox"/> MOD: 38 <input type="checkbox"/>	8 mm <input type="checkbox"/> 8,76 mm <input type="checkbox"/> 10 mm <input type="checkbox"/> 10,76 mm <input type="checkbox"/> 11,52 mm <input type="checkbox"/> 12 mm <input type="checkbox"/> 15 mm <input type="checkbox"/>	
	Glass clamps	Glass clamp	Glass thickness	
	L=980 mm <input type="checkbox"/> L=1060 mm <input type="checkbox"/> or L: _____ mm L1: _____ mm L2: _____ mm L3: _____ mm L4: _____ mm	MOD: 30 <input type="checkbox"/> MOD: 31 <input type="checkbox"/> MOD: 32 <input type="checkbox"/> MOD: 33 <input type="checkbox"/> MOD: 34 <input type="checkbox"/> MOD: 35 <input type="checkbox"/> MOD: 38 <input type="checkbox"/>	8 mm <input type="checkbox"/> 8,76 mm <input type="checkbox"/> 10 mm <input type="checkbox"/> 10,76 mm <input type="checkbox"/> 11,52 mm <input type="checkbox"/> 12 mm <input type="checkbox"/> 15 mm <input type="checkbox"/>	
	Crossbar holders	<input type="checkbox"/> Holes per post		
	L=980 mm <input type="checkbox"/> L=1060 mm <input type="checkbox"/> or L: _____ mm L1: _____ mm L2: _____ mm	12 mm Infill bar <input type="checkbox"/> 16 mm Infill bar <input type="checkbox"/>		
	Wire-tec cable system	<input type="checkbox"/> Eye bolts per post		
	L=980 mm <input type="checkbox"/> L=1060 mm <input type="checkbox"/> or L: _____ mm L1: _____ mm L2: _____ mm	3,2 mm Wire <input type="checkbox"/> 6,0 mm Wire <input type="checkbox"/>		

Sender

Name: _____ Company: _____
 Tel: _____ Street: _____
 Fax: _____ Town: _____
 Email: _____ Postcode: _____

index

Fast-Track

MOD: 1010	Top Fix Base Profile	Page 17
MOD: 1020	Side Fix Base Profile	Page 19
MOD: 2010	Top Fix Base Profile	Page 23
MOD: 2020	Side Fix Base Profile	Page 27
MOD: 3010	Top Fix Base Profile	Page 31
MOD: 9201	Extension Pin	Page 17,20,23,27,31,33
MOD: 9512	Mounting Anchor	Page 17,24,28,31,33
MOD: 9612	Mounting Anchor	Page 20, 33
MOD: 0125/0150	Kwik-Lock Wedge Kit	Page 17,20,24,28,31
MOD: 0250	Kwik-Lock MAX Wedge Kit	Page 17, 20, 24, 28
MOD: 9500	Tool Kit	Page 32
MOD: 9504	Adjustment Tool	Page 32
MOD: 9505	Placement Blocks	Page 32
MOD: 9506	Wedge Removal Tool	Page 32
MOD: 9507	Flex Extension	Page 32
MOD: 9510	Silver Silicone	Page 32

Posi-Glaze

MOD: PGC – 010	Top Fix Base Profile	Page 37
MOD: PGA – 010	Top Fix Side Cladding	Page 37
MOD: PGA – 030	Top Seal Strip	Page 37, 41
MOD: PGA – 050	Spanner	Page 37, 38, 42
MOD: PGA – 060	Top Fix End Cap	Page 37
MOD: PGA – 070	Extension Pin	Page 37, 38, 42
MOD: PGA – 090	Top Fix Corner	Page 37
MOD: PGB	Clamp Kits	Page 37, 38, 42
MOD: 9612	Mounting Anchor	Page 37, 38, 42
MOD: PGC – 010BK	Top Fix Base Profile - Black	Page 38
MOD: PGA – 030BK	Top Seal Strip - Black	Page 38
MOD: PGA – 060BK	Top Fix End Cap - Black	Page 38
MOD: PGA – 090BK	Top Fix Corner - Black	Page 38
MOD: PVA – Touch	Black Touch Up Pen	Page 38
MOD: PGC – 020	Side Fix Base Profile	Page 41
MOD: PGA – 020	Side Fix Side Cladding	Page 41
MOD: PGA – 061	Side Fix End Cap	Page 41
MOD: PGA – 062	Side Fix End Cap	Page 41
MOD: PGA – 065R	Side Fix End Cap	Page 41
MOD: PGA – 065L	Side Fix End Cap	Page 41

Profiled Handrail - Round

MOD: 7000	Profiled Handrail	Page 46
MOD: 7010	Profiled Handrail Elbow	Page 47
MOD: 7020	Profiled Handrail Elbow	Page 47
MOD: 7030	Profiled Handrail Elbow	Page 47
MOD: 7040	Profiled Handrail Elbow	Page 47
MOD: 7050	Profiled Handrail Connector	Page 47
MOD: 7060	Profiled Handrail Wall Flange	Page 47
MOD: 7070	Profiled Handrail End Cap	Page 46
MOD: 7042	Profiled Handrail Rubber	Page 46
MOD: 7142	Profiled Handrail Rubber	Page 46
MOD: 7048	Profiled Handrail Rubber	Page 46
MOD: 7148	Profiled Handrail Rubber	Page 46
MOD: 7060	Profiled Handrail Rubber	Page 46
MOD: 7160	Profiled Handrail Rubber	Page 46



U-Section Handrail

MOD: 7200	U- Handrail	Page 45
MOD: 7220	U- Handrail Connector	Page 45
MOD: 7225	U- Handrail Connector 90°	Page 45
MOD: 7270	U- Handrail End Cap	Page 45
MOD: 7027	U- Handrail Rubber	Page 45

Profiled Handrail - Rectangle

MOD: 7000	Profiled Handrail	Page 48
MOD: 7020	Profiled Handrail Elbow	Page 48
MOD: 7050	Profiled Handrail Connector	Page 48
MOD: 7060	Profiled Handrail Wall Flange	Page 48
MOD: 7070	Profiled Handrail End Cap	Page 48
MOD: 7042	Profiled Handrail Rubber	Page 48
MOD: 7142	Profiled Handrail Rubber	Page 48

Profiled Handrail - Round Mirror

MOD: 7000	Profiled Handrail	Page 49
MOD: 7010	Profiled Handrail Elbow	Page 50
MOD: 7020	Profiled Handrail Elbow	Page 50
MOD: 7030	Profiled Handrail Elbow	Page 50
MOD: 7040	Profiled Handrail Elbow	Page 50
MOD: 7050	Profiled Handrail Connector	Page 50
MOD: 7060	Profiled Handrail Wall Flange	Page 50
MOD: 7070	Profiled Handrail End Cap	Page 49
MOD: 7042	Profiled Handrail Rubber	Page 49
MOD: 7142	Profiled Handrail Rubber	Page 49
MOD: 7048	Profiled Handrail Rubber	Page 49
MOD: 7148	Profiled Handrail Rubber	Page 49

Glass Spigots

MOD: 5010	Top Mount Spigot	Page 53
MOD: 5020	Side Mount Spigot	Page 53

Alu-Rail

MOD: 8010	End Post	Page 57, 58
MOD: 8020	Mid Post	Page 57, 58
MOD: 8030	Corner Post	Page 57, 58
MOD: 8050	Rubber Seal	Page 57, 58

Fittings

MOD: 0100	Stem Connection	Page 65
MOD: 0105	Stem Connection Adj	Page 65
MOD: 0110	Stem Connection	Page 65
MOD: 0111	Stem Connection	Page 65
MOD: 0115	Stem Connection Adj	Page 65
MOD: 0116	Stem Connection Adj	Page 65
MOD: 0120	Stem Connection 135°	Page 66
MOD: 0121	Stem Connection 135°	Page 66
MOD: 0130	Stem Connection 90°	Page 66
MOD: 0131	Stem Connection 90°	Page 66
MOD: 0135	Stem Connection c/w Adj elbow	Page 67
MOD: 0140	Stem Connection Weldable	Page 67
MOD: 0150	Blade Stem Connection	Page 68
MOD: 0155	Blade Stem Connection 90°	Page 68

MOD: 0157	Blade Stem Connection Weldable	Page 68
MOD: 0200	Stem Connection	Page 70
MOD: 0205	Stem Connection Adj	Page 70
MOD: 0210	Stem Connection 135°	Page 70
MOD: 0220	Stem Connection 90°	Page 70, 71
MOD: 0300	Handrail Saddle	Page 71
MOD: 0303	Handrail Saddle 90°	Page 71
MOD: 0310	Stem Connection	Page 71
MOD: 0315	Stem Connection	Page 71
MOD: 0400	Handrail Brackets, Flat	Page 72
MOD: 0405	Handrail Brackets, Flat Adj	Page 72
MOD: 0415	Handrail Brackets, Tube Adj	Page 73
MOD: 0420	Handrail Brackets, Tube	Page 73
MOD: 0425	Handrail Brackets, Tube Adj	Page 73
MOD: 0430	Handrail Brackets, Wall	Page 74
MOD: 0435	Handrail Brackets, Wall Adj	Page 74
MOD: 0440	Handrail Brackets, Glass	Page 75
MOD: 0445	Handrail Brackets, Glass Adj	Page 75
MOD: 0510	Handrail Brackets, Wall	Page 76
MOD: 0511	Handrail Brackets, Wall	Page 76
MOD: 0520	Handrail Brackets, Wall	Page 76
MOD: 0521	Handrail Brackets, Wall	Page 76
MOD: 0525	Handrail Brackets, Wall Adj	Page 77
MOD: 0530	Handrail Support	Page 77
MOD: 0540	Wall Rosette	Page 77
MOD: 0541	Stem Connection	Page 77
MOD: 0542	Rosette Cover	Page 77
MOD: 0600	Elbow	Page 78
MOD: 0610	Elbow	Page 78
MOD: 0620	Elbow	Page 78
MOD: 0630	Elbow	Page 78
MOD: 0640	Elbow Adjustable	Page 79
MOD: 0645	Elbow Adjustable	Page 79
MOD: 0650	Elbow Weldable	Page 79
MOD: 0660	Return End	Page 81
MOD: 0700	3 Way Tee Connector	Page 81
MOD: 0710	Tee Connector	Page 81
MOD: 0720	Connector	Page 81
MOD: 0730	Adaptor	Page 82
MOD: 0731	Adaptor	Page 82
MOD: 0735	Adaptor Adjustable	Page 82
MOD: 0740	Wall Flange	Page 82
MOD: 0745	Wall Flange Adjustable	Page 83
MOD: 0748	Wall Flange Slim	Page 83
MOD: 0750	End Ball	Page 83
MOD: 0760	Support	Page 83
MOD: 0800	End Cap Flat - Hit In	Page 84
MOD: 0801	End Cap Flat - Hit In	Page 84
MOD: 0810	End Cap Raised - Hit In	Page 84
MOD: 0811	End Cap Raised - Hit In	Page 84
MOD: 0820	End Cap Domed - Hit In	Page 85
MOD: 0850	End Cap Flat	Page 85
MOD: 0860	End Cap Raised	Page 85
MOD: 1000	Side Fix Bracket	Page 86
MOD: 1010	Side Fix Bracket	Page 86
MOD: 1020	Side Fix Bracket	Page 86

Fittings cont.

MOD: 1030	Side Fix Bracket	Page 86
MOD: 1040	Side Fix Bracket	Page 86
MOD: 1050	Side Fix Bracket In-Line	Page 87
MOD: 1060	Side Fix Bracket In-Line	Page 87
MOD: 1100	Welded Base	Page 88
MOD: 1101	Base Cover	Page 88
MOD: 1110	Welded Base	Page 88
MOD: 1111	Base Cover	Page 88
MOD: 1120	Welded Base	Page 88
MOD: 1121	Base Cover	Page 88
MOD: 1105	Glue-In Base	Page 89
MOD: 1150	Glue-In Base Adjustable	Page 89
MOD: 1200	Welded Base	Page 89
MOD: 1210	Welded Base	Page 89
MOD: 1250	Welded Base	Page 89
MOD: 1280	Spigot Cover	Page 89
MOD: 1300	Welded Insert	Page 90
MOD: 1310	Inner Flange	Page 90
MOD: 1311	Inner Flange Rubber	Page 90
MOD: 1320	Outer Flange	Page 90
MOD: 1321	Outer Flange Rubber	Page 90
MOD: 1510	Baluster Post	Page 91
MOD: 1520	Baluster Post	Page 91
MOD: 1530	Baluster Post	Page 91
MOD: 1610	Baluster Post	Page 91
MOD: 1620	Baluster Post	Page 91
MOD: 1630	Baluster Post	Page 91
MOD: 1710	Baluster Post	Page 90
MOD: 1630	Pre-Assembled Baluster Post	Page 92
MOD: 2010	Crossbar Holder	Page 94
MOD: 2012	Crossbar Holder	Page 94
MOD: 2212	Crossbar Holder	Page 94, 95
MOD: 2312	Crossbar Holder	Page 94, 95
MOD: 2416	Crossbar Holder	Page 95
MOD: 2812	Inline Crossbar Holder	Page 95
MOD: 2912	Inline Crossbar Holder - Adj	Page 95

Mirror Polished

MOD: 0110	Stem Connection	Page 97
MOD: 0115	Stem Connection Adj	Page 97
MOD: 0130	Stem Connection 90°	Page 97
MOD: 0440	Handrail Brackets, Glass	Page 97
MOD: 0445	Handrail Brackets, Glass Adj	Page 97
MOD: 0521	Handrail Brackets, Wall	Page 97
MOD: 0610	Elbow	Page 98
MOD: 0640	Elbow Adjustable	Page 98
MOD: 0720	Connectors	Page 98
MOD: 0731	Connector	Page 98
MOD: 0740	Wall Flange	Page 98
MOD: 0860	End Cap Raised	Page 98
MOD: 1010	Side Fix Bracket	Page 99
MOD: 1101	Base Cover	Page 99
MOD: 1510	Baluster Post	Page 99
MOD: 1900	Bars & Tubes	Page 99
MOD: 1910	Bars & Tubes	Page 99
MOD: 32	Glass Clamp - Model 32	Page 99

Glass Clamps

MOD: 30	Glass Clamps - Model 30	Page 101
MOD: 31	Glass Clamps - Model 31	Page 102
MOD: 32	Glass Clamps - Model 32	Page 103, 104, 105
MOD: 32.100 In-Line	Glass Clamps - Model 32	Page 106
MOD: 32.200 90°	Glass Clamps - Model 32	Page 106
MOD: 33.100 In-Line	Glass Clamps - Model 33	Page 106
MOD: 33.200 90°	Glass Clamps - Model 33	Page 106
MOD: 33	Glass Clamps - Model 33	Page 107
MOD: 34	Glass Clamps - Model 34	Page 108
MOD: 35	Glass Clamps - Model 35	Page 109
MOD: 38	Glass Clamps - Model 38	Page 111
MOD: 39	Glass Clamps - Model 38	Page 111
Glass clamp rubbers	Glass Clamp Rubbers	Page 112,113
Glass clamp pins	Glass Clamp Security Pins	Page 113

Juliet Balcony

MOD: 7000	Juliet Handrail	Page 115
MOD: 4000	Fixing Brackets	Page 115
MOD: 7042	Handrail Rubber	Page 115
MOD: 7142	Handrail Rubber	Page 115
MOD: 7048	Handrail Rubber	Page 115
MOD: 7148	Handrail Rubber	Page 115

Glass connectors & Panel holders

MOD: 4010	Glass connectors	Page 117
MOD: 4020	Glass connectors	Page 117
MOD: 4030	Glass connectors	Page 118
MOD: 4100	Glass connectors	Page 118
MOD: 4500	Panel holders	Page 119
MOD: 4510	Panel holders	Page 119
MOD: 9180	Threaded Insert	Page 118

Wire-tec

MOD: 6000	Tensioner	Page 121
MOD: 6010	Terminal	Page 121
MOD: 6020	Eye Bolt	Page 121
MOD: 6030	Cable Stopper	Page 121
MOD: 6100	Tensioner	Page 122
MOD: 6110	Crossbar Holder	Page 122
MOD: 6120	Crossbar Holder	Page 122
MOD: 6130	Crossbar Holder	Page 122
MOD: 6203	Wire 3.2mm	Page 121, 122
MOD: 6206	Wire 6.0mm	Page 121, 122
MOD: 6350	Cable Cutter	Page 121

Timber-tec

MOD: 6400	Alignment Tool	Page 126
MOD: 8000	Handrail	Page 125
MOD: 8010	Elbow	Page 125
MOD: 8020	Elbow Adjustable	Page 125
MOD: 8030	Return End	Page 126
MOD: 8040	End Cap	Page 126
MOD: 8050	Connector	Page 126
MOD: 8060	Spigot	Page 126

Tubes & Bars

MOD: 1900	Bars & Tubes	PAGE 129
MOD: 1910	Bars & Tubes	PAGE 129

Accessories

MOD: 9010	Glue	Page 131
MOD: 9020	Stainless Cleaner	Page 131
MOD: 9025	Glass Gleaner	Page 131
MOD: 9030	Stain Remover	Page 131
MOD: 9040	Cleaner Kit	Page 131
MOD: 9100	Bolt	Page 132
MOD: 9101	Bolt	Page 132
MOD: 9110	Bolt	Page 132
MOD: 9120	Bolt	Page 132
MOD: 9130	Dual Head Screw	Page 133
MOD: 9140	Coach Screws	Page 133
MOD: 9150	Screw	Page 133
MOD: 9180	Threaded Insert	Page 133
MOD: 9200	C' Spanner	Page 131
MOD: 9300	Allen Key Set	Page 131
MOD: 9400	Tube Cutter	Page 131



Fastec Handrail Systems Limited

Barrett House, Cutler Heights Lane
Bradford, West Yorkshire, BD4 9HU

Tel: 01274 474330

Fax: 01274 474361

Email: sales@fastechandrails.co.uk